

NOTES: MATERIAL & FINISH

1. HOUSING: HIGH-TEMPERATURE THERMOPLASTIC, UL94V-0

COLOR: NATURE

2. CONTACT: COPPER ALLOY

PLATING: GOLD FLASH OR TIN OVER ALL 50~100u"

NICKEL UNDER PLATED

ORDER INFORMATION: 1133K - X XX X - 01~03 X

PACKING: E: TUBE  
R: PLATIC REEL  
L: PAPER REEL

E: POST AND FITTING NAIL

C: E ADD CAP

F: FITTING NAIL

PLATING:

E: TIN

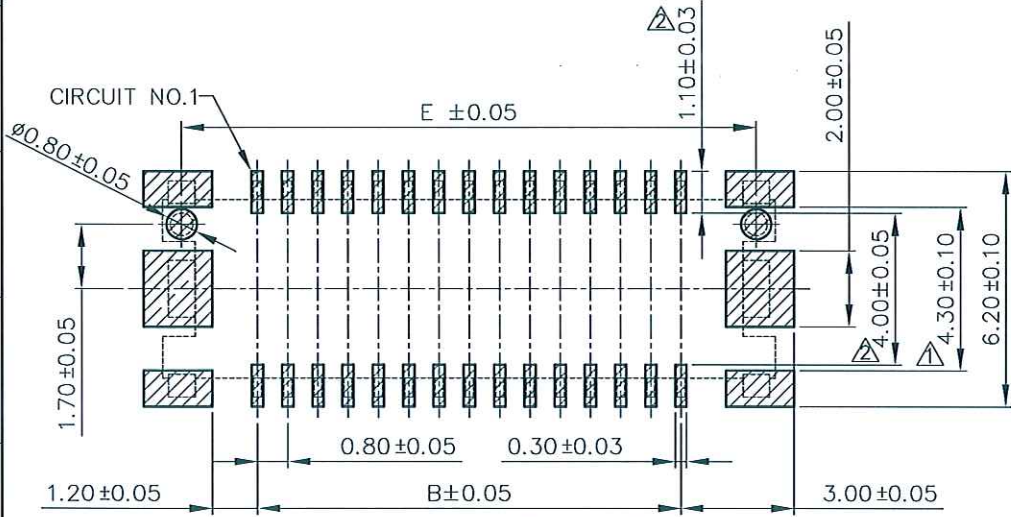
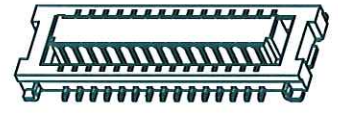
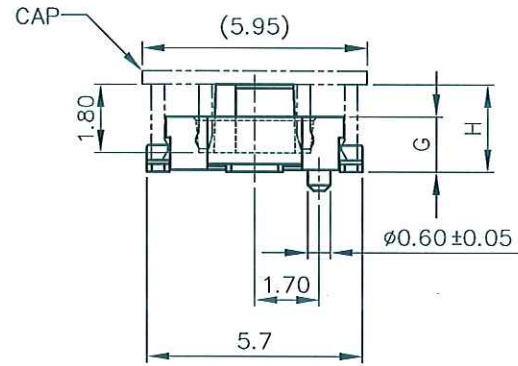
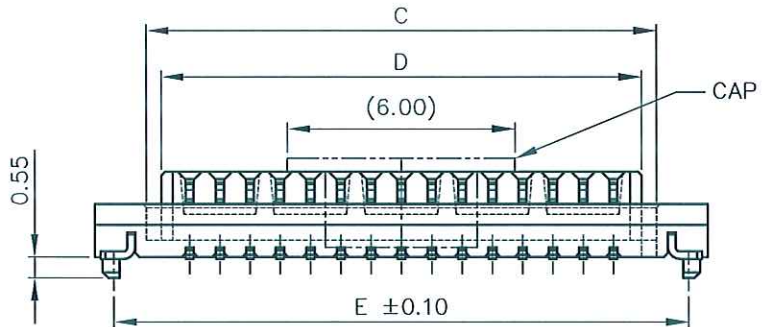
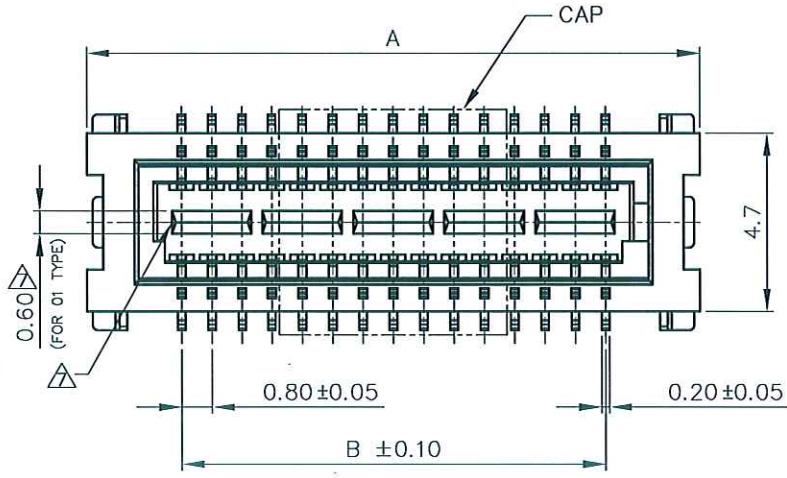
Q: MATTE-TIN

F: GOLD FLASH

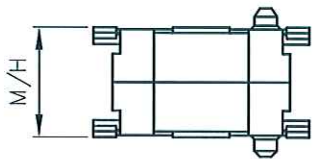
1133K: 0.8 BTB SMT V/T MALE (HALOGEN FREE)

ENTERY INDUSTRIAL CO., LTD.  
APR - 1 2014  
R&D D.C.C. ISSUED

| PIN NO. | A    | B    | C    | D    | E    |
|---------|------|------|------|------|------|
| 10      | 8.2  | 3.2  | 5.5  | 4.7  | 7.2  |
| 12      | 9.0  | 4.0  | 6.3  | 5.5  | 8.0  |
| 14      | 9.8  | 4.8  | 7.1  | 6.3  | 8.8  |
| 16      | 10.6 | 5.6  | 7.9  | 7.1  | 9.6  |
| 18      | 11.4 | 6.4  | 8.7  | 7.9  | 10.4 |
| 20      | 12.2 | 7.2  | 9.5  | 8.7  | 11.2 |
| 22      | 13.0 | 8.0  | 10.3 | 9.5  | 12.0 |
| 24      | 13.8 | 8.8  | 11.1 | 10.3 | 12.8 |
| 26      | 14.6 | 9.6  | 11.9 | 11.1 | 13.6 |
| 28      | 15.4 | 10.4 | 12.7 | 11.9 | 14.4 |
| 30      | 16.2 | 11.2 | 13.5 | 12.7 | 15.2 |
| 40      | 20.2 | 15.2 | 17.5 | 16.7 | 19.2 |
| 50      | 24.2 | 19.2 | 21.5 | 20.7 | 23.2 |
| 60      | 28.2 | 23.2 | 25.5 | 24.7 | 27.2 |
| 70      | 32.2 | 27.2 | 29.5 | 28.7 | 31.2 |
| 80      | 36.2 | 31.2 | 33.5 | 32.7 | 35.2 |
| 90      | 40.2 | 35.2 | 37.5 | 36.7 | 39.2 |



| M/H  | MALE | FEMALE | G    | H    |
|------|------|--------|------|------|
| 3.0  |      | 01     |      |      |
| 3.9  |      | 02     |      |      |
| 4.2  | 01   | 03     | 1.45 | 2.30 |
| 5.5  |      | 0A     |      |      |
| 6.0  |      | 06     |      |      |
| 7.0  |      | 07     |      |      |
|      | 03   | 05     | 3.35 | 4.20 |
| 11.0 | 02   | 07     | 5.50 | 6.35 |



|  |   |   |  |
|--|---|---|--|
| <b>CUSTOMER</b>  |   | 恩得利工業股份有限公司<br>ENTERY INDUSTRIAL CO., LTD.                |  |
| GENERAL TOLERANCE<br>UNLESS OTHERWISE SPECIFIED<br>X.X ±0.30<br>X.XX ±0.20<br>X.XXX ±0.10<br>ANG. ±0°30' | DRAWN<br>Josh JUN-07-2006<br>CHECKED<br>APPROVED<br>SHEET 1/1 | PART NO. 1133K-XXXX-01~03X<br>TITLE: 0.8 BTB SMT V/T MALE | UNIT MM<br>SCALE 5:1<br>SIZE A4<br>REV I |

| SER | REVISIONS   | CHK   | DATE     |
|-----|-------------|-------|----------|
| 1   | RE201401007 | JOSH  | 04/01/14 |
| 2   | RE201111049 | JIMMY | 12/09/11 |
| 3   | REN90321    | HILL  | 03/30/09 |
| 4   | RE081236    | JUNO  | 01/07/09 |
| 5   | RE081010    | Joe   | 10/17/08 |
| 6   | RE080611    | Joan  | 06/17/08 |

RECOMMENDED PCB LAYOUT