

NOTES: MATERIAL & FINISH

1.INSULATOR:HIGH-TEMP THERMOPLASTIC, UL94V-0
COLOR:NATURE

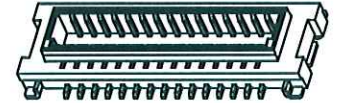
2.CONTACT:COPPER ALLOY
PLATING:GOLD FLASH OR TIN OR MATTE-TIN OVERALL NICKEL
UNDER PLATED

ORDER INFORMATION: 1134K-X XX X-01~02,05~07,0A,26,22,32 X



ENTERY INDUSTRIAL CO., LTD.
MAR 28. 2014
R&D D.C.C. ISSUED

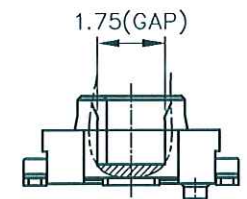
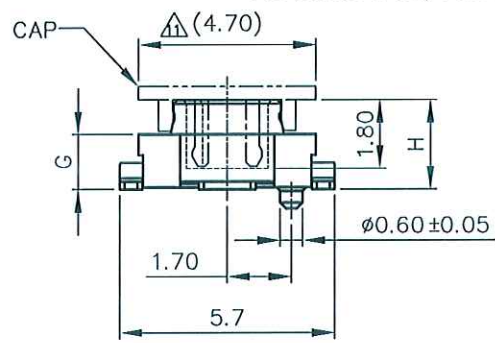
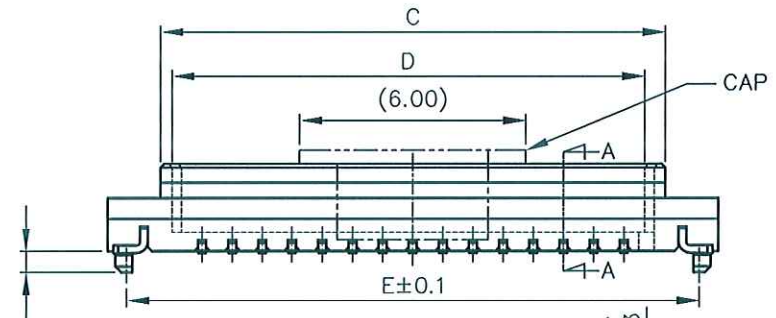
PACKING: E:TUBE
R:PLASTIC REEL
L:PAPER REEL



PIN TYPE
E:POST AND FITTING NAIL
C:E ADD CAP
F:FITTING NAIL

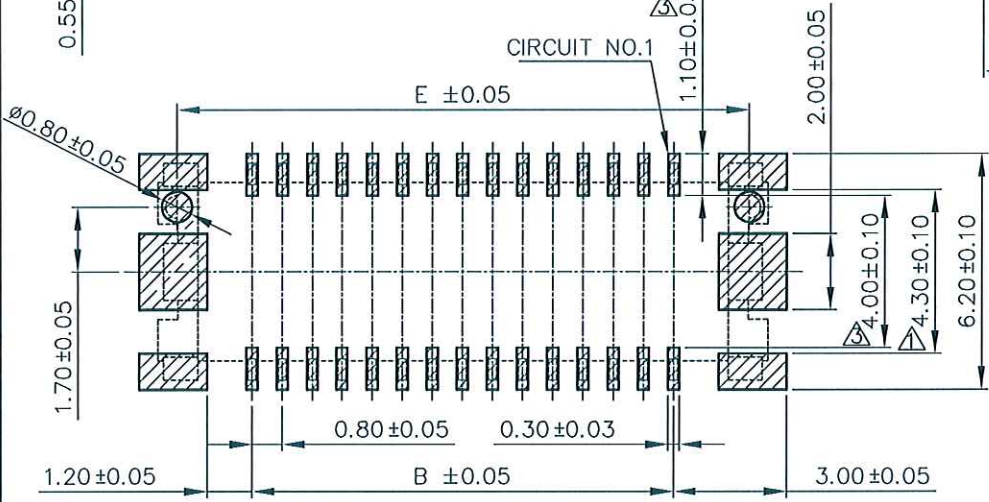
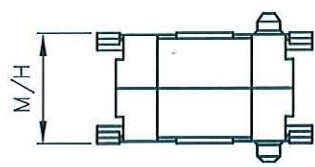
PLATING:
E:TIN
Q:MATTE-TIN
F:CONTACT GOLD FLASH, FITTING NAIL TIN

1134K:0.8 BTB(HALOGEN FREE)



PIN NO.	A	B	C	D	E
10	8.2	3.2	5.4	4.8	7.2
12	9.0	4.0	6.2	5.6	8.0
14	9.8	4.8	7.0	6.4	8.8
16	10.6	5.6	7.8	7.2	9.6
18	11.4	6.4	8.6	8.0	10.4
20	12.2	7.2	9.4	8.8	11.2
22	13.0	8.0	10.2	9.6	12.0
24	13.8	8.8	11.0	10.4	12.8
26	14.6	9.6	11.8	11.2	13.6
28	15.4	10.4	12.6	12.0	14.4
30	16.2	11.2	13.4	12.8	15.2
40	20.2	15.2	17.4	16.8	19.2
50	24.2	19.2	21.4	20.8	23.2
60	28.2	23.2	25.4	24.8	27.2
70	32.2	27.2	29.4	28.8	31.2
80	36.2	31.2	33.4	32.8	35.2
90	40.2	35.2	37.4	36.8	39.2

M/H	MALE	FEMALE	G	H
3.0		01	1.45	2.35
3.9		02,22,32	2.40	3.30
5.5	01	0A	3.95	4.85
6.0		06,26	4.50	5.40
7.0		07	5.40	6.30
	03	05	3.50	4.40
11.0	02	07	5.40	6.30



RECOMMENDED PCB LAYOUT

CUSTOMER		恩得利工業股份有限公司 ENTERY INDUSTRIAL CO., LTD.	
GENERAL TOLERANCE UNLESS OTHERWISE SPECIFIED X.X ±0.30 X.XX ±0.20 X.XXX ±0.10 ANG. ±0°30'		DRAWN Josh JUN-07-2006 CHECKED APPROVED SHEET 1/1	PART NO. 1134K-XXXX-01~02, 05~07,0A,26,22,32X TITLE: 0.8 BTB SMT V/T FEMALE
REVISIONS	DATE	UNIT	SCALE
		MM	5:1
		SIZE	A4
		REV	N

REVISIONS	DATE
RE201208014	JIMMY 11/28/12
RE201210002	KAZ 05/07/12
RE201107023	JIMMY 07/28/11
REN110506	JIMMY 05/13/11
RE201103004	JIMMY 04/08/11
RE201008024	JIMMY 09/15/10