

NOTE:

- 1. HOUSING: HIGH-TEMP THERMOPLASTIC. UL94V-0, NATURE.
- 2. CONTACT: COPPER ALLOY, PLATING: MATTE-TIN.
- 3. FITTING NAIL: BRASS. PLATING: MATTE-TIN.

ORDER INFORMATION: 1150 K-X 02 F - 01 X

PACKING: L: PAPER CARRIER
E: TUBE

TYPE: VOID PIN NO.2 PIN

F: FITTING NAIL

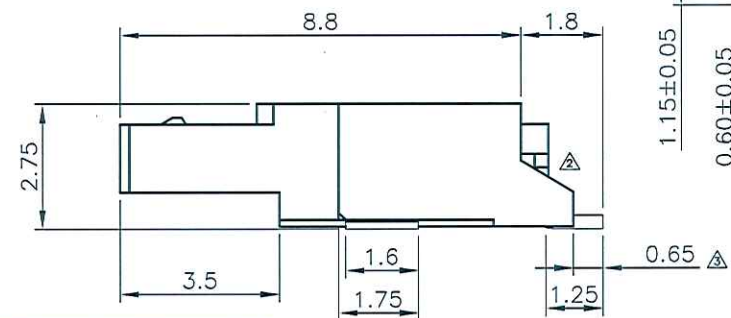
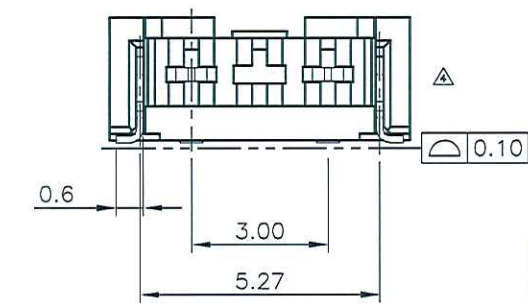
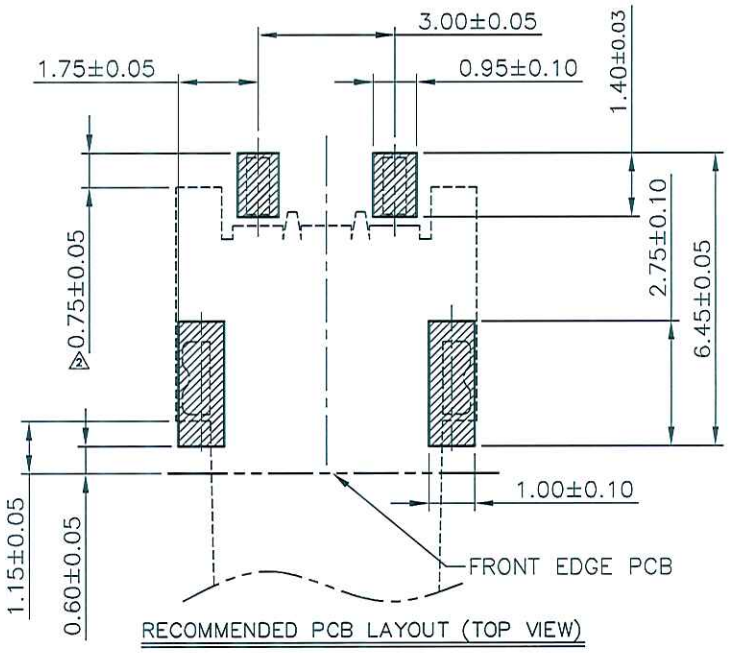
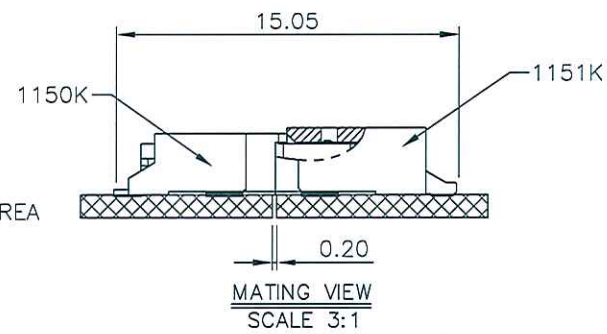
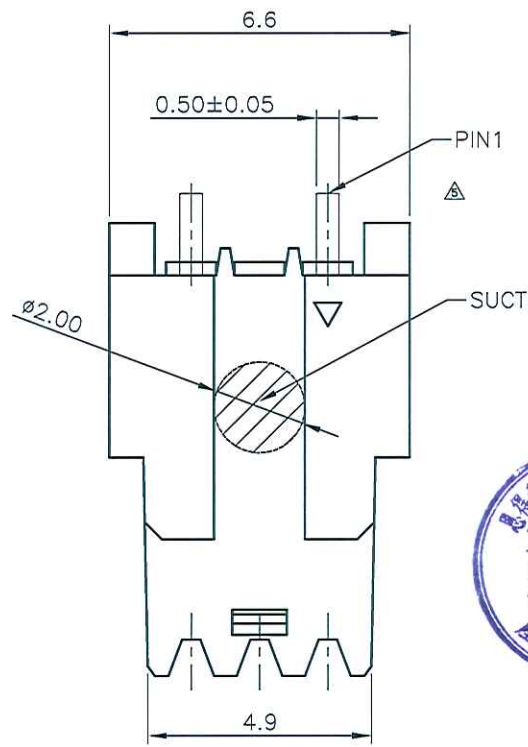
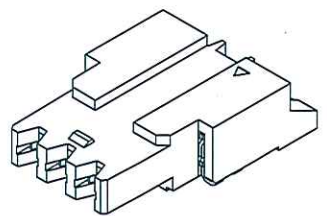
PIN

Q: CONTACT MATTE-TIN

FITTING NAIL MATTE-TIN

HALOGEN-FREE MATERIALS

1.5 BTB SMT R/A TYPE



ENTERY INDUSTRIAL CO., LTD.
SEP 18. 2014
R&D D.C.C. ISSUED

CUSTOMER		恩得利工業股份有限公司 ENTERY INDUSTRIAL CO., LTD.	
GENERAL TOLERANCE UNLESS OTHERWISE SPECIFIED X.X ±0.25 X.XX ±0.13 X.XXX ±0.1 ANG. ±2°		DRAWN Juno JUN-15-2012 CHECKED APPROVED SHEET 1/1	PART NO. 1150K-X02F-01X TITLE: 1.5 PITCH BTB MALE SMT R/A TYPE
SER	REVISIONS	CHK	DATE

△	REN140904	Juno	09/15/14
△	RE201405003	Juno	05/19/14
△	REN130502	Juno	05/03/13
△	RE201210021	Juno	11/16/12
△	RB120105	Juno	08/15/12