

PIN NO.	A	B	C	D
3	6.6	4.9	3.0	5.27
4	8.1	6.4	4.5	6.77
5	9.6	7.9	6.0	8.27
6	11.1	9.4	7.5	9.77
7	12.6	10.9	9.0	11.27

NOTE:

1. HOUSING: HIGH-TEMP THERMOPLASTIC. UL94V-0, NATURE.
2. CONTACT: COPPER ALLOY, PLATING: MATTE-TIN.
3. FITTING NAIL: BRASS. PLATING: MATTE-TIN.

ORDER INFORMATION: 1150 K-X XX F - 00 X

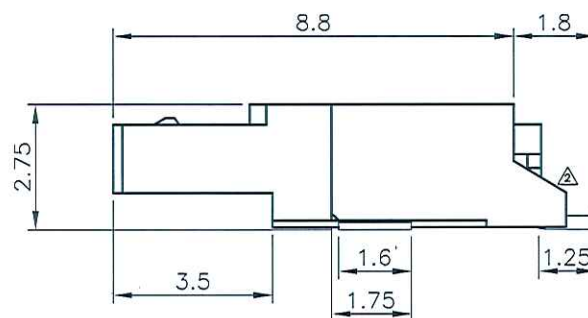
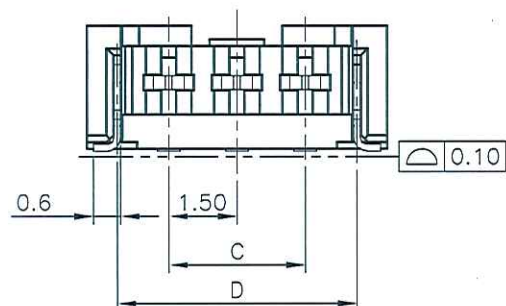
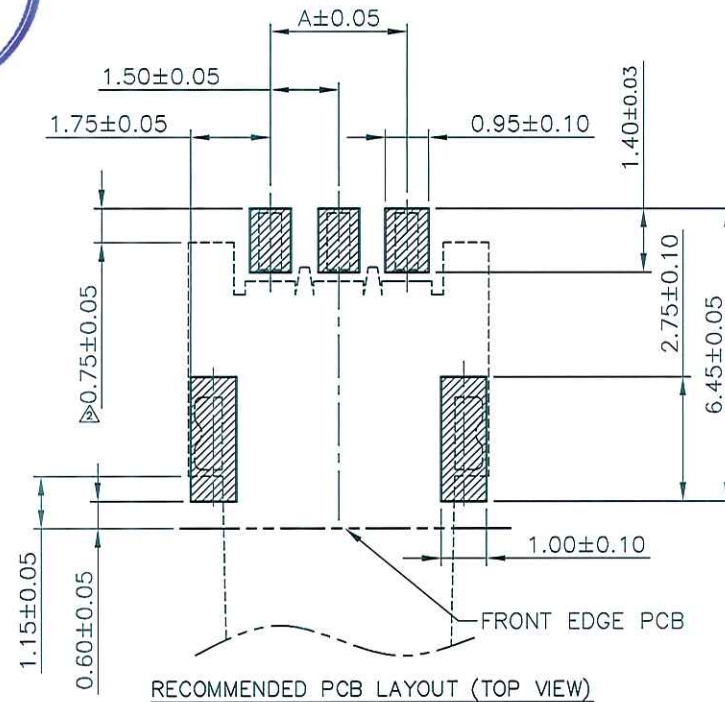
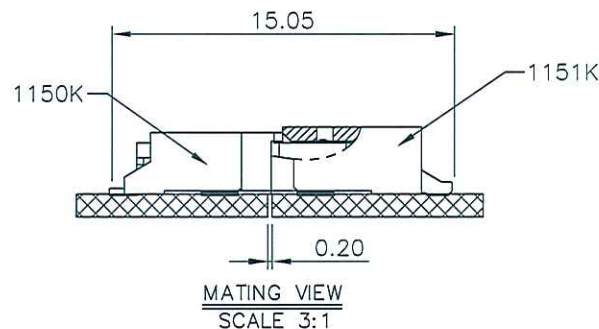
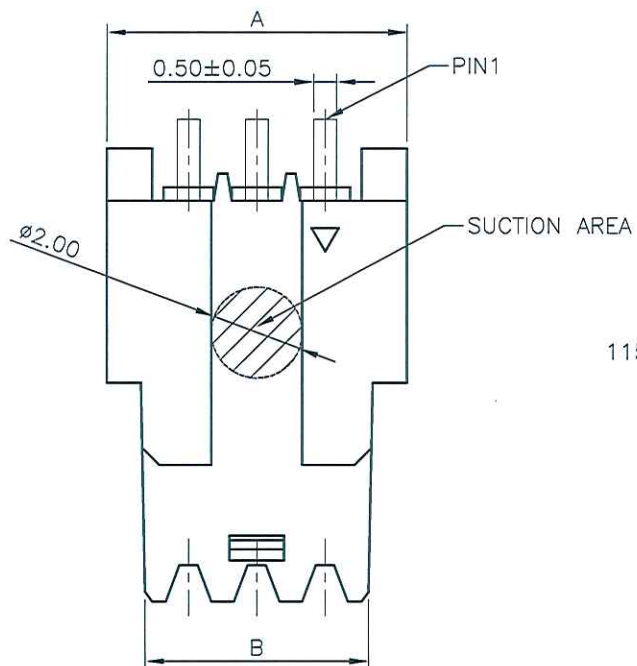
PACKING: L: PAPER CARRIER
E: TUBE

F: FITTING NAIL

PIN

Q: CONTACT MATTE-TIN
FITTING NAIL MATTE-TIN
△F: CONTACT GOLD FLASH
FITTING NAIL MATTE-TIN

HALOGEN-FREE MATERIALS
1.5 BTB SMT R/A TYPE



ENTERY INDUSTRIAL CO., LTD.
SEP - 2. 2014
R&D D.C.C. ISSUED

SER	REVISIONS	CHK	DATE
△	RE201407003	Jun0	08/25/14
△	RE201210021	Jun0	11/16/12
△	RB120105	Jun0	06/15/12

CUSTOMER		恩得利工業股份有限公司 ENTERY INDUSTRIAL CO., LTD.	
GENERAL TOLERANCE UNLESS OTHERWISE SPECIFIED X.X ±0.25 X.XX ±0.13 X.XXX ANG. ±2°		DRAWN Jun0 JUN-15-2012 CHECKED APPROVED SHEET 1/1	PART NO. 1150K-XXXF-00X TITLE: 1.5 PITCH BTB MALE SMT R/A TYPE
UNIT	SCALE	SIZE	REV
MM	6:1	A4	C