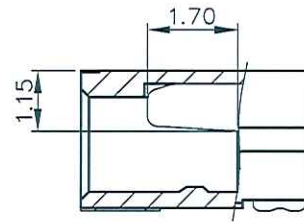
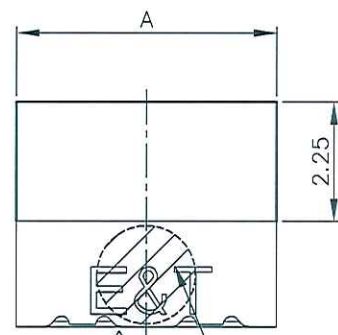
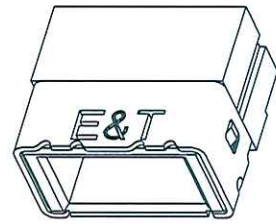


NOTES:
 1. HOUSING MATERIAL: :HIGH-TEMP THERMOPLASTIC UL94V-0 , COLOR:NATURE
 2. CONTACT MATERIAL: COPPER ALLOY PLATING :MATTE-TIN PLATED
 3. SHIELD: STAINLESS STEEL
 PLATING : TIN OR GOLD FLASH PLATED

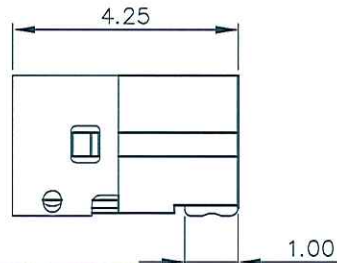
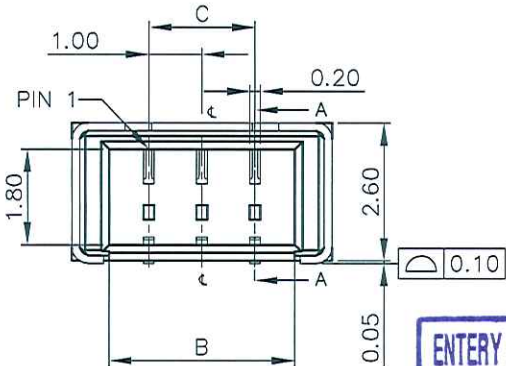
ORDER INFORMATION: 3707K -X XX N- 04 X

PACKING:L: PAPER REEL
 E: TUBE
 R: PLASTIC REEL Δ

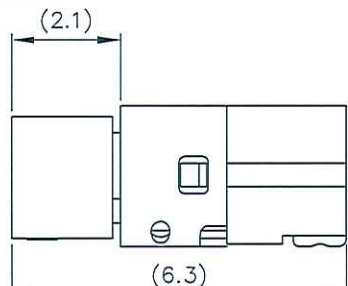
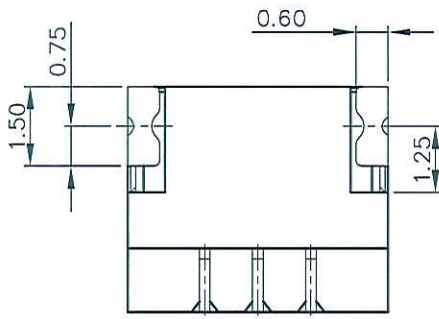
TYPE
 N: STANDARD
 PIN NO.
 PLATING
 Q: MATTE-TIN
 F: CONTACT GOLD FLASH SHIELD TIN
 S: CONTACT MATTE-TIN SHIELD GOLD FLASH
 Δ U: CONTACT GOLD FLASH SHIELD GOLD FLASH
 1.0 WTB SMT R/A TYPE SINGLE ROW
 (HALOGEN-FREE)



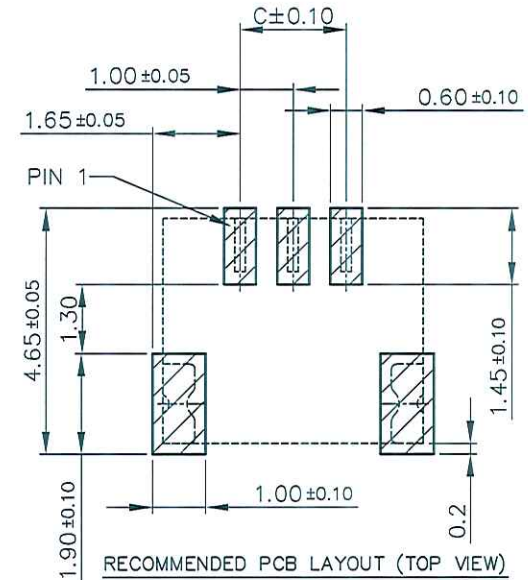
SECTION A-A



ENTERY INDUSTRIAL CO., LTD.
 AUG 13. 2014
 R&D D.C.C. ISSUED



MATING VIEW



RECOMMENDED PCB LAYOUT (TOP VIEW)

PIN NO.	A	B	C
2	3.90	2.50	1.00
3	4.90	3.50	2.00
4	5.90	4.50	3.00
5	6.90	5.50	4.00
6	7.90	6.50	5.00
7	8.90	7.50	6.00
8	9.90	8.50	7.00
9	10.90	9.50	8.00
10	11.90	10.50	9.00
11	12.90	11.50	10.00
12	13.90	12.50	11.00

CUSTOMER 恩得利工業股份有限公司
 ENTERY INDUSTRIAL CO., LTD.

DRAWN: JIMMY APR-15-2011
 CHECKED: [Signature]
 APPROVED: [Signature]

PART NO. 3707K-XXXX-04X
 TITLE: 1.0 WTB

GENERAL TOLERANCE UNLESS OTHERWISE SPECIFIED:
 X.X ±0.25
 X.XX ±0.15
 X.XXX ±0.30'

SHEET 1/1 UNIT MM SCALE 7:1 SIZE A4 REV D

SER	REVISIONS	CHK	DATE
Δ	RE201408003	Juno	08/12/14'
Δ	RE201204021	JIMMY	05/04/12'
Δ	REN110712	KAZ	07/14/11'
Δ	RE201104014	JIMMY	06/07/11'