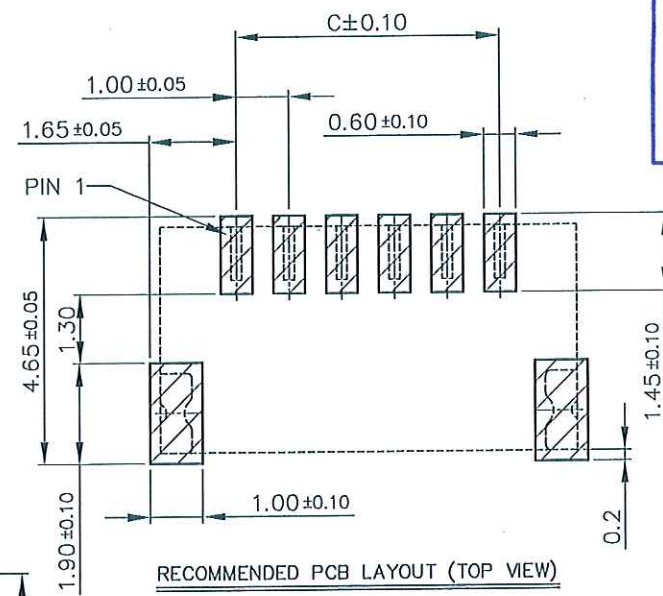
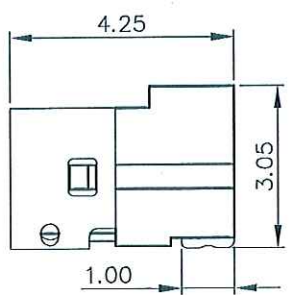
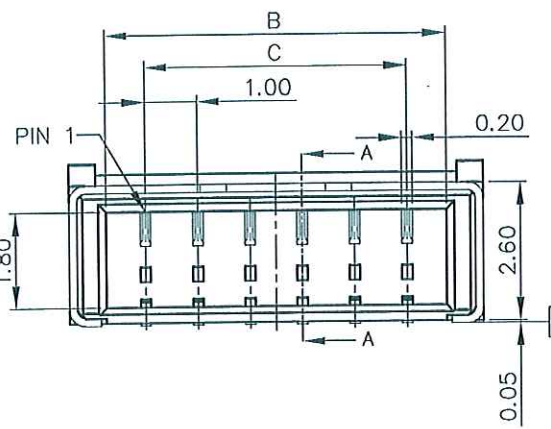
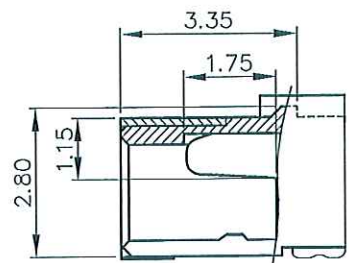
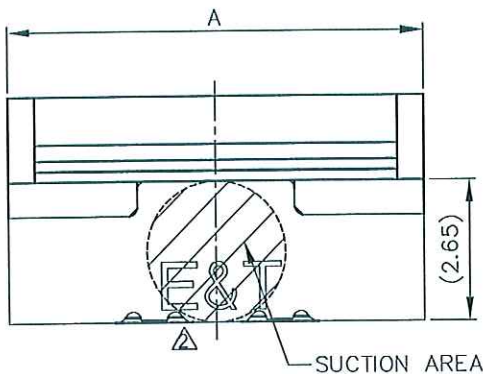


NOTES:
 1. HOUSING MATERIAL: HIGH-TEMP THERMOPLASTIC UL94V-0, COLOR: NATURE
 2. CONTACT MATERIAL: COPPER ALLOY
 PLATING: MATTE-TIN OR GOLD FLASH PLATED.
 3. SHIELD: STAINLESS STEEL PLATING: TIN PLATED OR GOLD FLASH
 ORDER INFORMATION: 3707K -X XX N- 05 X

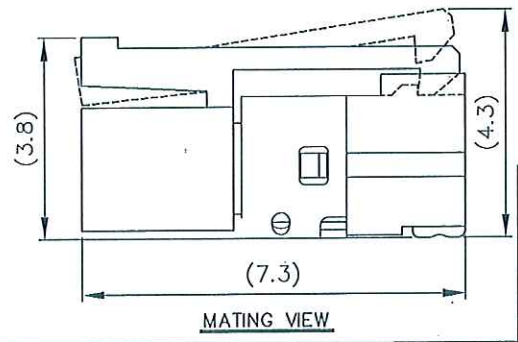
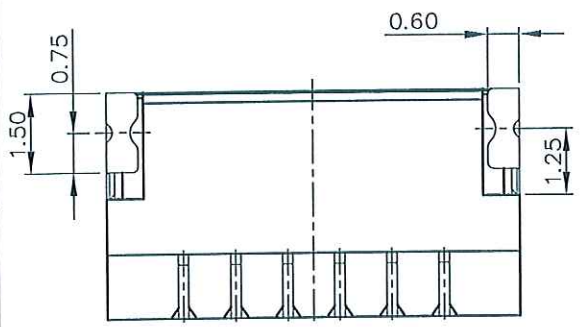
PACKING: R: PLASTIC REEL
 L: PAPER REEL
 E: TUBE

TYPE
 N: STANDARD
 PIN NO.
 PLATING
 Q: MATTE-TIN
 F: CONTACT GOLD FLASH SHIELD TIN
 S: CONTACT MATTE-TIN SHIELD GOLD FLASH
 1.0 WT B SMT R/A TYPE SINGLE ROW
 (HALOGEN-FREE)



ENTERY INDUSTRIAL CO., LTD.
 MAY 10, 2012
 R&D D.C.C. ISSUED

PIN NO.	A	B	C
2	3.90	2.50	1.00
3	4.90	3.50	2.00
4	5.90	4.50	3.00
5	6.90	5.50	4.00
6	7.90	6.50	5.00
7	8.90	7.50	6.00
8	9.90	8.50	7.00
9	10.90	9.50	8.00
10	11.90	10.50	9.00
11	12.90	11.50	10.00
12	13.90	12.50	11.00



CUSTOMER		恩得利工業股份有限公司 ENTERY INDUSTRIAL CO., LTD.	
GENERAL TOLERANCE UNLESS OTHERWISE SPECIFIED X.X ±0.25 X.XX ±0.15 X.XXX ±0.30' ANG.		DRAWN <i>Juno</i> APR-28-2011 CHECKED APPROVED <i>Juno</i>	PART NO. 3707K-XXXN-05X TITLE: 1.0 WT B
RE201204021	JIMMY 05/04/12	SHEET 1/1	UNIT MM SCALE 7:1 SIZE A4 REV B
RE201104014	JIMMY 08/07/11		
SER REVISIONS	CHK DATE		