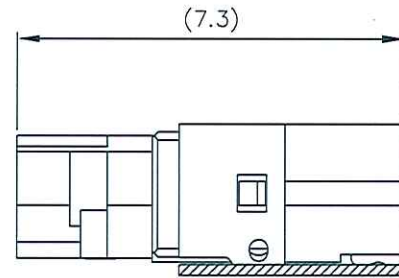
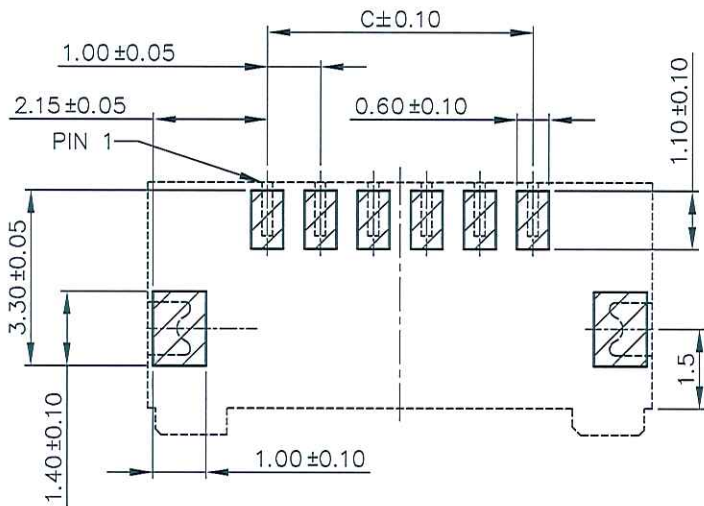
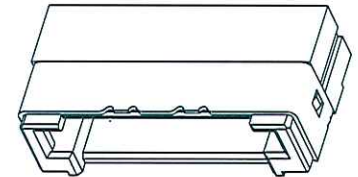
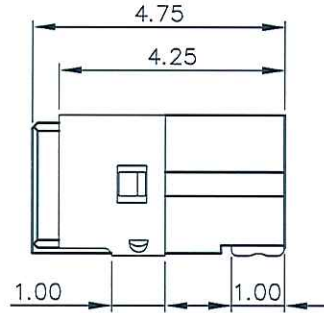
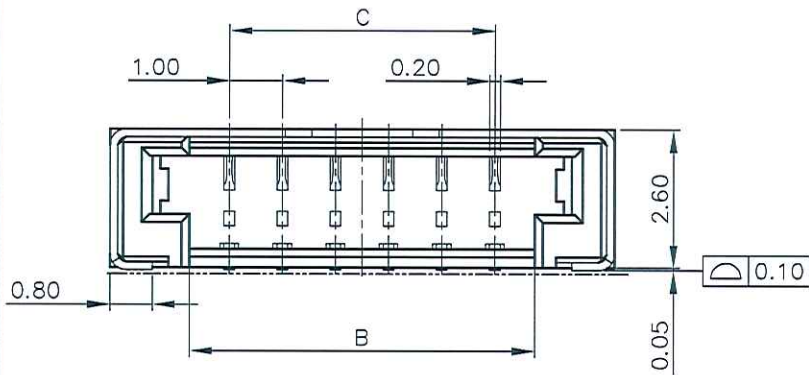


ENTERY INDUSTRIAL CO., LTD.
 JUN - 1 2013
 R&D D.C.C. ISSUED

NOTES:
 1. HOUSING MATERIAL: HIGH-TEMP THERMOPLASTIC UL94V-0, COLOR: NATURE OR BLACK.
 2. CONTACT MATERIAL: COPPER ALLOY PLATING: MATTE-TIN OR GOLD FLASH PLATED
 3. SHIELD: STAINLESS STEEL
 PLATING: TIN OR GOLD FLASH PLATED.
 ORDER INFORMATION: 3707K -X XX N- OA,2A X

PACKING: L: PAPER REEL
 E: TUBE
 TYPE: OA: NATURE
 2A: BLACK
 N: STANDARD
 PIN NO.
 PLATING
 Q: CONTACT MATTE-TIN SHIELD TIN
 F: CONTACT GOLD FLASH SHIELD TIN
 S: CONTACT MATTE-TIN SHIELD GOLD FLASH
 1.0 WTB SMT R/A TYPE SINGLE ROW
 (HALOGEN-FREE)



MATING VIEW

PIN NO.	A	B	C
2	5.50	2.50	1.00
3	6.50	3.50	2.00
4	7.50	4.50	3.00
5	8.50	5.50	4.00
6	9.50	6.50	5.00
7	10.50	7.50	6.00
8	11.50	8.50	7.00
9	12.50	9.50	8.00
10	13.50	10.50	9.00
11	14.50	11.50	10.00
12	15.50	12.50	11.00

RECOMMENDED PCB LAYOUT (TOP VIEW)

CUSTOMER		恩得利工業股份有限公司 ENTERY INDUSTRIAL CO., LTD.	
GENERAL TOLERANCE UNLESS OTHERWISE SPECIFIED X.X ±0.25 X.XX ±0.15 X.XXX ±0.10 ANG. ±0'30"		DRAWN <i>Juno JUN-28-2013</i> CHECKED APPROVED 6/28/13	PART NO. 3707K-XXXN-OA,2AX TITLE: 1.0 WTB
RB120901 REVISIONS SER	Juno CHK DATE	SHEET 1/1	UNIT MM SCALE 7:1 SIZE A4 REV A