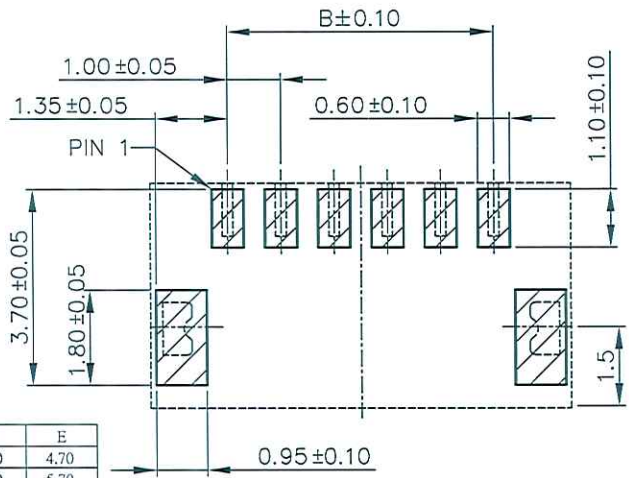
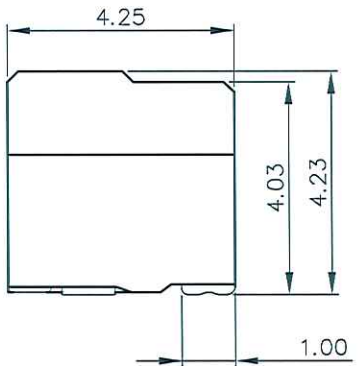
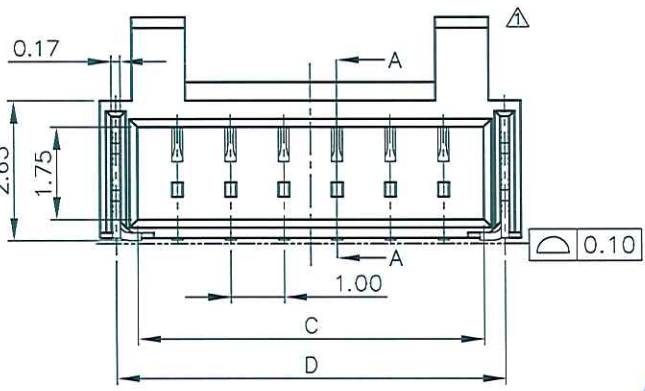


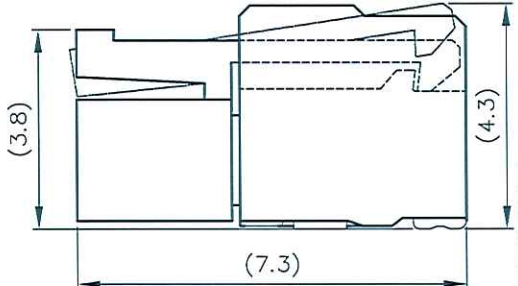
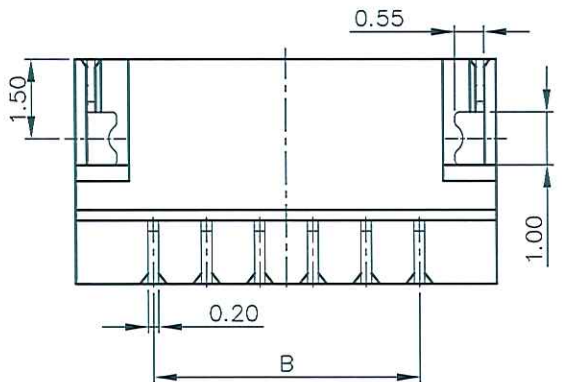
NOTES:  
 1. HOUSING MATERIAL: HIGH-TEMP THERMOPLASTIC UL94V-0, COLOR: NATURE  
 2. CONTACT MATERIAL: COPPER ALLOY  
 PLATING: MATTE-TIN OR GOLD FLASH PLATED.  
 3. FITTING NAIL: COPPER ALLOY PLATING: MATTE-TIN PLATED  
 ORDER INFORMATION: 3707K -X XX N- OE X

ENTERY INDUSTRIAL CO., LTD.  
 APR - 1 2015  
 R&D D.C.C. ISSUED

PIN NO. T  
 PLATING L  
 Q: MATTE-TIN  
 F: CONTACT GOLD FLASH FITTING NAIL MATTE-TIN  
 TYPE: LOCK  
 N: STANDARD  
 PACKING: R: PLASTIC REEL  
 L: PAPER REEL  
 E: TUBE  
 1.0 WTB SMT R/A TYPE SINGLE ROW  
 (HALOGEN-FREE)



PIN NO.	A	B	C	D	E
6	7.90	5.00	6.50	7.30	4.70
7	8.90	6.00	7.50	8.30	5.70
8	9.90	7.00	8.50	9.30	6.70
9	10.90	8.00	9.50	10.30	7.70
10	11.90	9.00	10.50	11.30	8.70
11	12.90	10.00	11.50	12.30	9.70
12	13.90	11.00	12.50	13.30	10.70



CUSTOMER		恩得利工業股份有限公司 ENTERY INDUSTRIAL CO., LTD.	
GENERAL TOLERANCE UNLESS OTHERWISE SPECIFIED		DRAWN <i>Juno</i> FEB-16-2014 CHECKED	PART NO. 3707K-XXXN-OEX
X.X ±0.25 X.XX ±0.15 X.XXX ANG. ±0°30'		APPROVED <i>[Signature]</i> 3/30/15	TITLE: 1.0 WTB
REVISIONS	CHK	DATE	SHEET 1/1 UNIT MM SCALE 7:1 SIZE A4 REV A

REVISIONS	CHK	DATE
RE201411020	Juno	03/25/15