

NOTES:

- 1. HOUSING MATERIAL: :HIGH-TEMP THERMOPLASTIC UL94V-0 , COLOR:NATURE
- 2. CONTACT MATERIAL: COPPER ALLOY PLATING :MATTE-TIN PLATED
- 3. SHIELD: STAINLESS STEEL:PLATING :TIN PLATED OR GOLD FLASH

ORDER INFORMATION: 3708K -X 03 N- 02 X

PACKING: R: PLASTIC REEL  
L: PAPER REEL  
E: TUBE

TYPE: LOCK, VOID PIN 2

N: STANDARD

PIN NO.

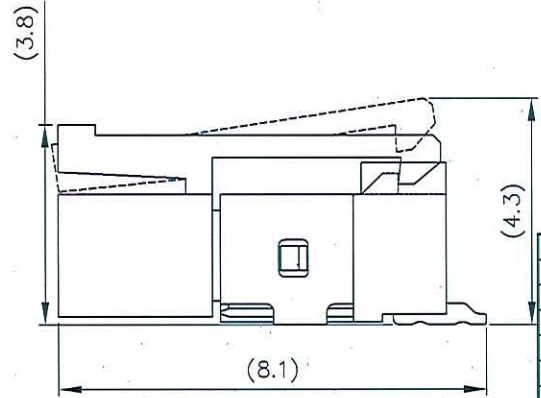
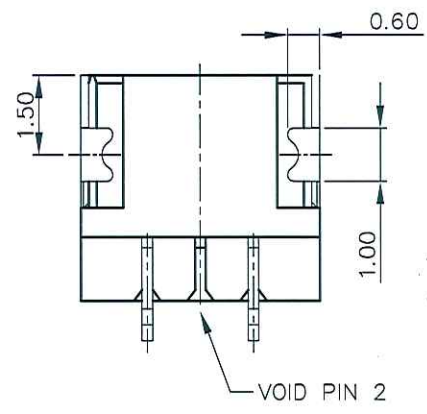
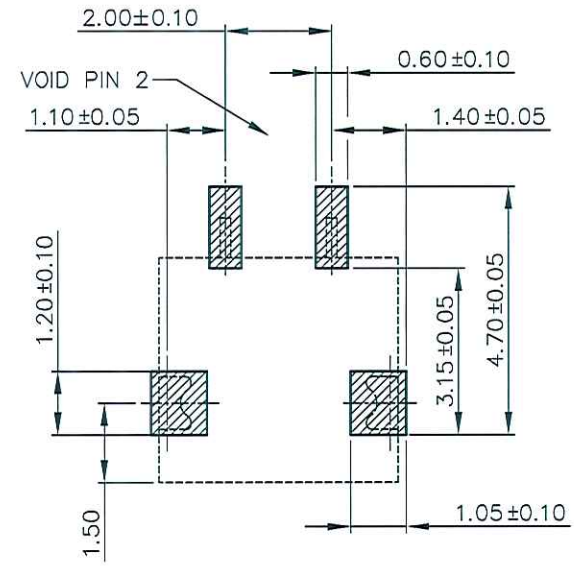
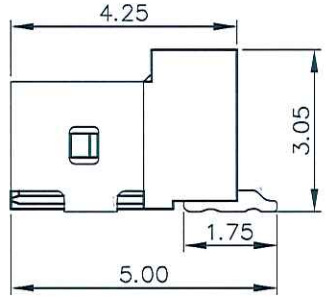
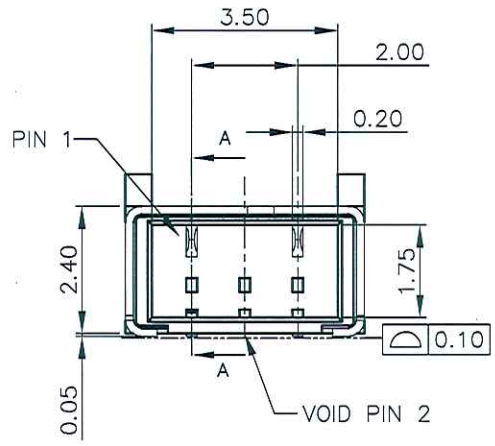
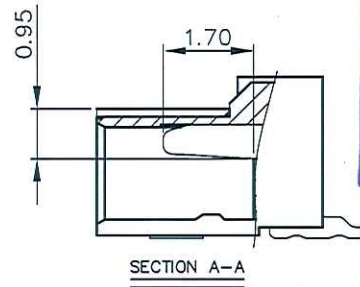
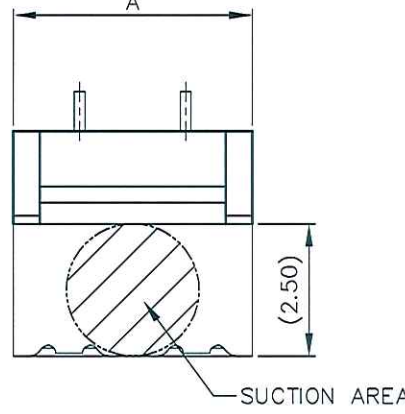
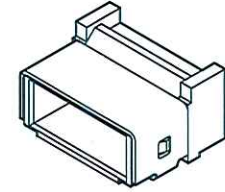
PLATING

Q: MATTE-TIN

S: CONTACT MATTE-TIN SHIELD GOLD FLASH

1.0 WTB SMT R/A TYPE SINGLE ROW  
(HALOGEN-FREE)

ENTERY INDUSTRIAL CO., LTD.  
NOV 12 2013  
R&D D.C.C. ISSUED



<b>CUSTOMER</b>		E&T 恩得利工業股份有限公司 ENTERY INDUSTRIAL CO., LTD.	
GENERAL TOLERANCE UNLESS OTHERWISE SPECIFIED		DRAWN Juno NOV-07-2013	PART NO. 3708K-X03N-02X
X.X ±0.25		CHECKED	TITLE: 1.0 WTB
X.XX ±0.15			
X.XXX ±0.30'		APPROVED	
SER	REVISIONS	CHK	DATE
RE201310026		Juno	11/07/13
SHEET 1/1		UNIT MM	SCALE 7:1
		SIZE A4	REV A