

NOTES:

- 1. HOUSING MATERIAL: HIGH-TEMP THERMOPLASTIC UL94V-0, COLOR: NATURE
- 2. CONTACT MATERIAL: COPPER ALLOY PLATING: MATTE-TIN PLATED
- 3. SHIELD: STAINLESS STEEL: PLATING: TIN PLATED OR GOLD FLASH

ORDER INFORMATION: 3708K -X XX N- 00 X

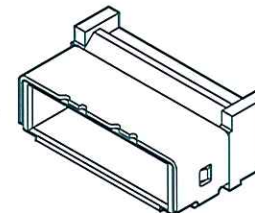
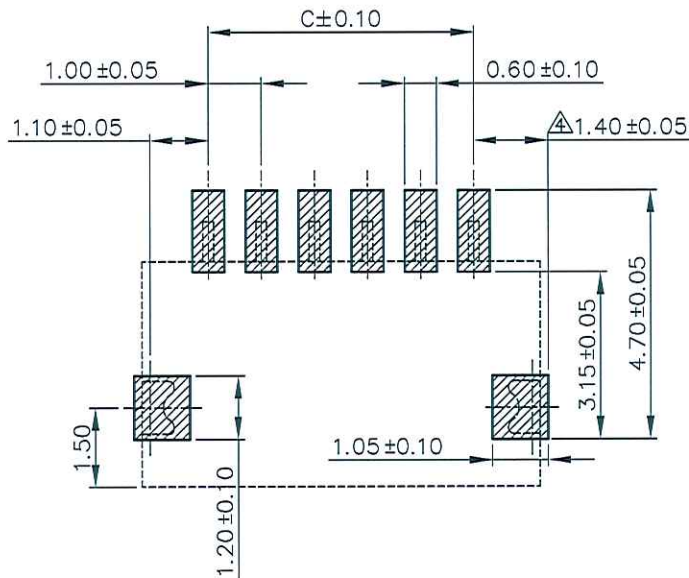
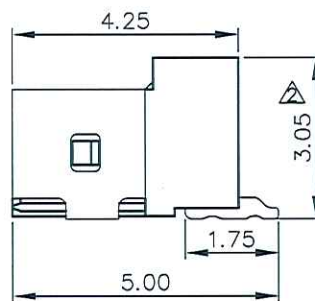
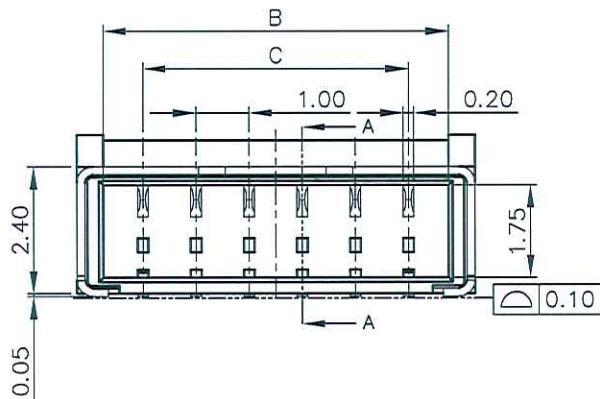
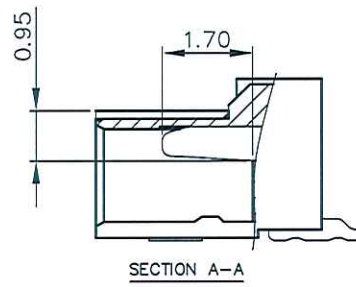
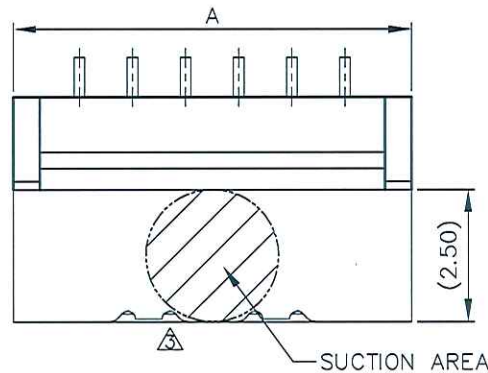
PACKING: L: PAPER REEL
E: TUBE

TYPE: LOCK
N: STANDARD

PIN NO.
PLATING
Q: MATTE-TIN

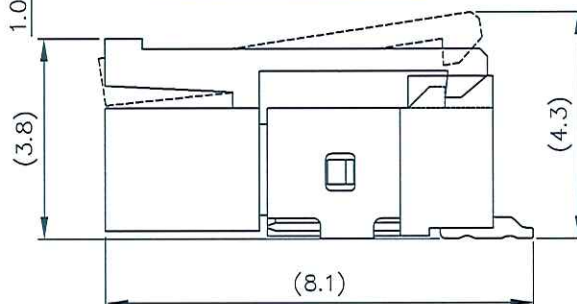
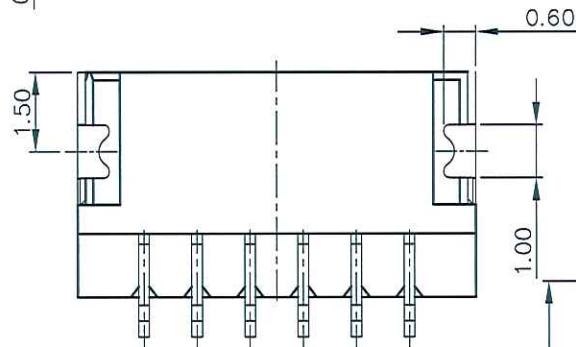
△: CONTACT MATTE-TIN SHIELD GOLD FLASH

1.0 WTB SMT R/A TYPE SINGLE ROW
(HALOGEN-FREE)



PIN NO.	A	B	C
2	3.50	2.50	1.00
3	4.50	3.50	2.00
4	5.50	4.50	3.00
5	6.50	5.50	4.00
6	7.50	6.50	5.00
7	8.50	7.50	6.00
8	9.50	8.50	7.00
9	10.50	9.50	8.00
10	11.50	10.50	9.00
11	12.50	11.50	10.00
12	13.50	12.50	11.00

ENTERY INDUSTRIAL CO., LTD.
JUN 18. 2013
R&D D.C.C. ISSUED



CUSTOMER		恩得利工業股份有限公司 ENTERY INDUSTRIAL CO., LTD.	
GENERAL TOLERANCE UNLESS OTHERWISE SPECIFIED X.X ±0.25 X.XX ±0.15 X.XXX ±0.10 ANG. ±0°30'		DRAWN <i>Juno</i> DEC-30-2010 CHECKED APPROVED 6/8 15 SHEET 1/1	PART NO. 3708K-XXXN-00X TITLE: 1.0 WTB
SER	REVISIONS	CHK	DATE

UNIT	SCALE	SIZE	REV
MM	7:1	A4	E