

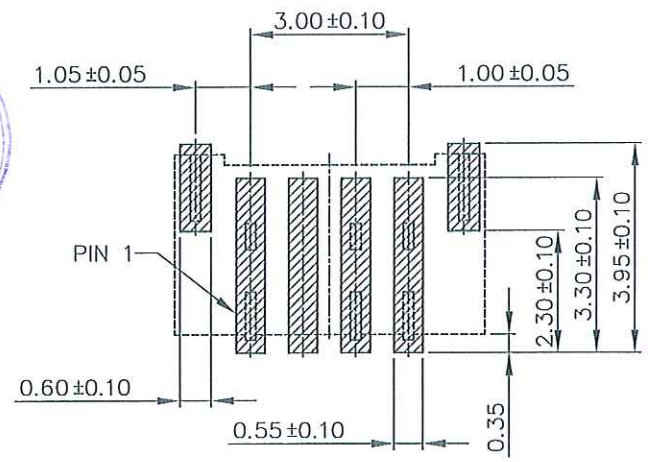
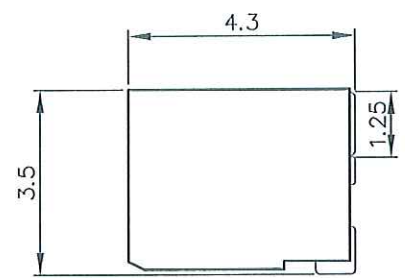
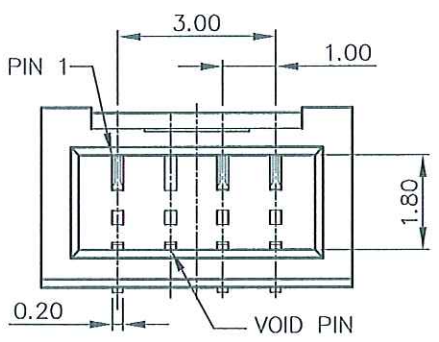
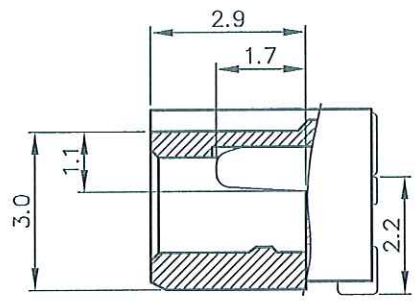
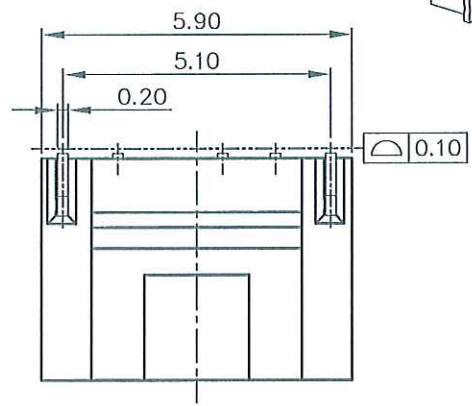
NOTES:  
 1. HOUSING MATERIAL: HIGH-TEMP THERMOPLASTIC UL94V-0, COLOR: NATURE  
 2. CONTACT MATERIAL: COPPER ALLOY  
 PLATING: MATTE-TIN OR GOLD FLASH PLATED  
 3. FITTING NAIL MATERIAL: COPPER ALLOY  
 PLATING: TIN PLATED

ORDER INFORMATION: 3709K-X 04 X- 01 X  
 T  
 PACKING: L: PAPER REEL  
 E: TUBE

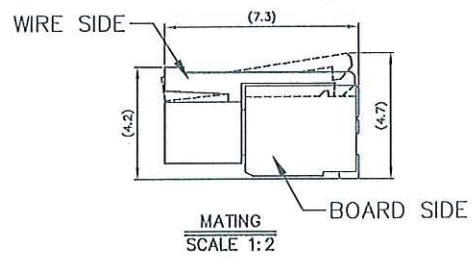
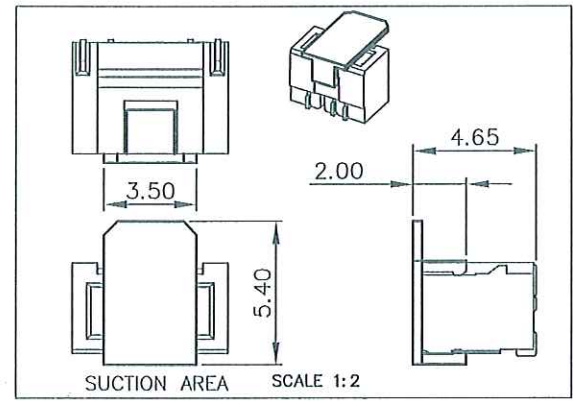
N: STANDARD  
 C: WITH CAP  
 PIN NO.  
 PLATING  
 F: CONTACT GOLD FLASH  
 FITTING NAIL TIN  
 Q: CONTACT MATTE-TIN  
 FITTING NAIL TIN

1.0 WTB SMT V/T TYPE SINGLE ROW  
 (HALOGEN-FREE)

ENTERY INDUSTRIAL CO., LTD.  
 OCT 14, 2011  
 R&D D.C.C. ISSUED



RECOMMENDED PCB LAYOUT (TOP VIEW)



<b>CUSTOMER</b>		恩得利工業股份有限公司 E & T ENTERY INDUSTRIAL CO., LTD.	
GENERAL TOLERANCE UNLESS OTHERWISE SPECIFIED		DRAWN JIMMY OCT-05-2011	PART NO. 3709K-X04X-01X
X.X ±0.25		CHECKED	TITLE: 1.0 WTB SMT V/T TYPE SINGLE ROW
X.XX ±0.15		APPROVED 10/13/11	SCALE   SIZE   REV 7:1   A4   A
X.XXX ±0.10		SHEET 1/1	UNIT MM
ANG. ±0°30'			
REVISIONS	CHK	DATE	
RE201110003	KAZ	10/13/11	