

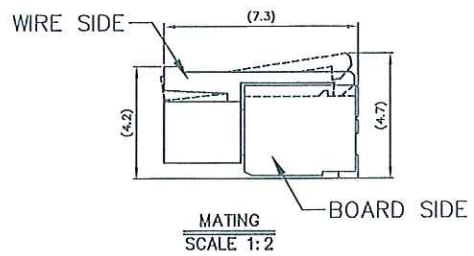
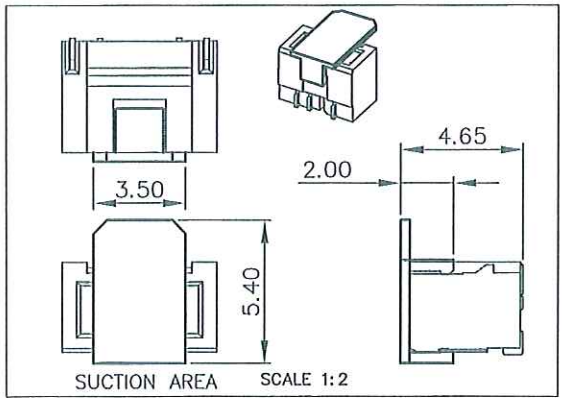
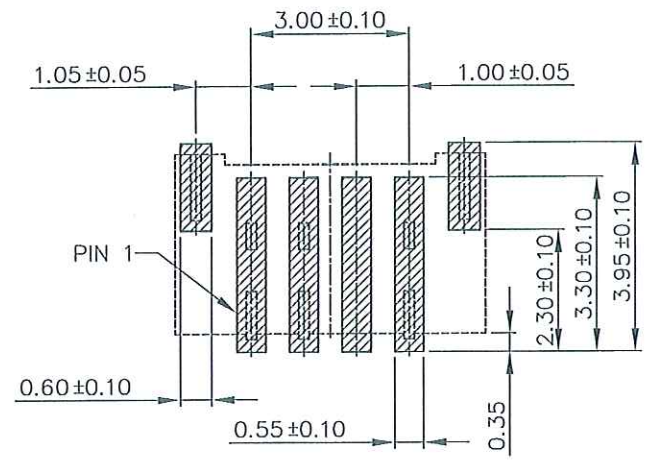
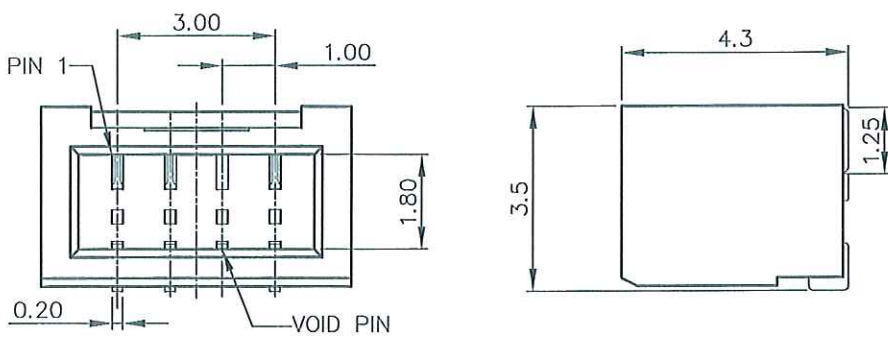
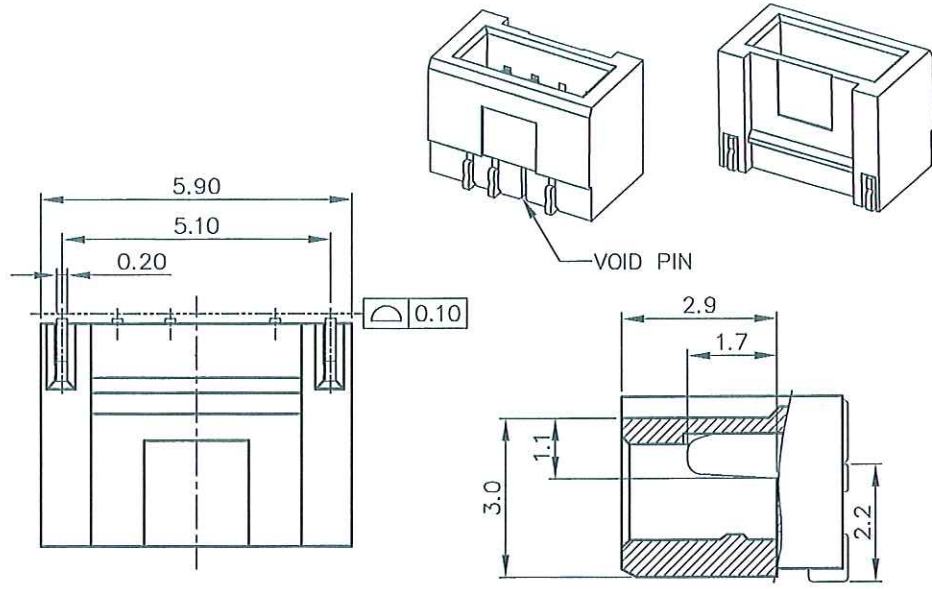
NOTES:
 1. HOUSING MATERIAL: HIGH-TEMP THERMOPLASTIC UL94V-0, COLOR: NATURE
 2. CONTACT MATERIAL: COPPER ALLOY
 PLATING: MATTE-TIN OR GOLD FLASH PLATED
 3. FITTING NAIL MATERIAL: COPPER ALLOY
 PLATING: TIN PLATED

ORDER INFORMATION: 3709K-X 04 X- 02 X
 T
 PACKING: L: PAPER REEL
 E: TUBE

N: STANDARD
 C: WITH CAP
 PIN NO.
 PLATING
 F: CONTACT GOLD FLASH
 FITTING NAIL TIN
 Q: CONTACT MATTE-TIN
 FITTING NAIL TIN

1.0 WT B SMT V/T TYPE SINGLE ROW
 (HALOGEN-FREE)

ENTERY INDUSTRIAL CO., LTD.
 OCT 14 2011
 R&D D.C.C. ISSUED



CUSTOMER		E&T 恩得利工業股份有限公司 ENTERY INDUSTRIAL CO., LTD.	
DRAWN JIMMY OCT-05-2011		PART NO. 3709K-X04X-02X	
CHECKED		TITLE: 1.0 WT B SMT V/T TYPE SINGLE ROW	
APPROVED 10/13/11		UNIT MM	SCALE 7:1
SHEET 1/1		SIZE A4	REV A

REVISIONS	CHK	DATE
RE201110003	KAZ	10/13/11