

NOTES:  
 1.HOUSING MATERIAL:HIGH-TEMP THERMOPLASTIC UL94V-0 , COLOR:NATURE  
 2 CONTACT MATERIAL:COPPER ALLOY  
 PLATING:MATTE-TIN OR GOLD FLASH PLATED  
 3.FITTING NAIL MATERIAL :COPPER ALLOY  
 PLATING:TIN PLATED

ORDER INFORMATION: 3709K-X XX X- 00 X

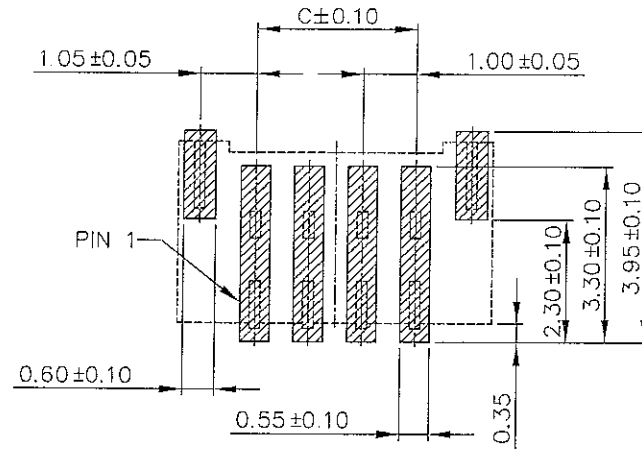
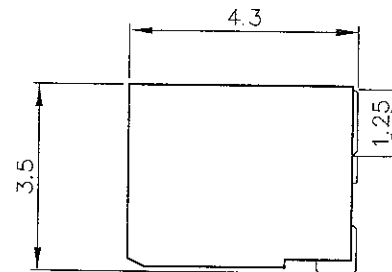
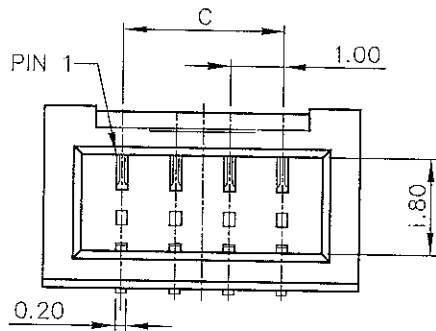
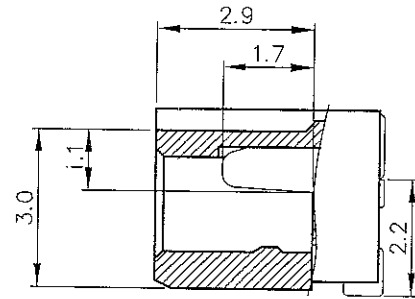
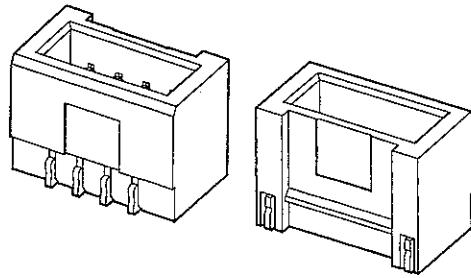
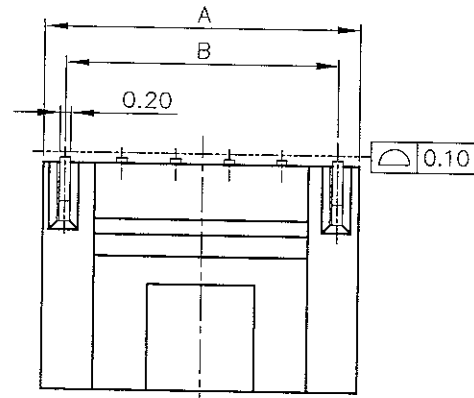
PACKING:L:PAPER REEL  
 E:TUBE

N: STANDARD  
 C: WITH CAP

PIN NO  
 PLATING

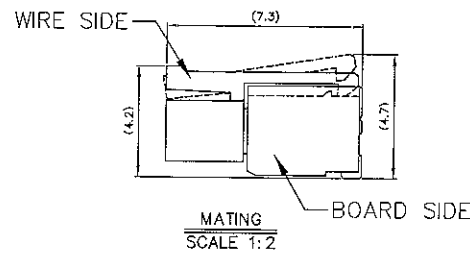
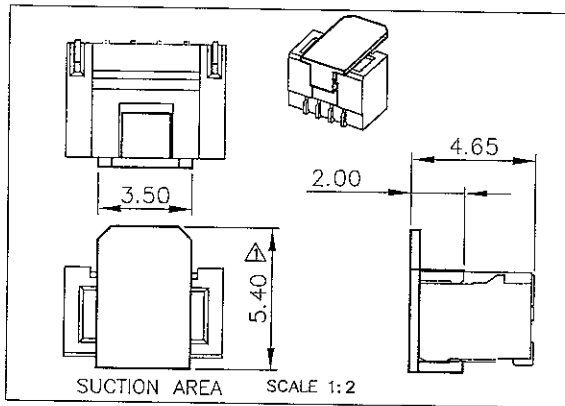
F: CONTACT GOLD FLASH  
 FITTING NAIL TIN  
 Q: CONTACT MATTE-TIN  
 FITTING NAIL TIN

1.0 WTB SMT V/T TYPE SINGLE ROW  
 (HALOGEN-FREE)



RECOMMENDED PCB LAYOUT (TOP VIEW)

| PIN NO. | A     | B     | C     |
|---------|-------|-------|-------|
| 2       | 3.90  | 3.10  | 1.00  |
| 3       | 4.90  | 4.10  | 2.00  |
| 4       | 5.90  | 5.10  | 3.00  |
| 5       | 6.90  | 6.10  | 4.00  |
| 6       | 7.90  | 7.10  | 5.00  |
| 7       | 8.90  | 8.10  | 6.00  |
| 8       | 9.90  | 9.10  | 7.00  |
| 9       | 10.90 | 10.10 | 8.00  |
| 10      | 11.90 | 11.10 | 9.00  |
| 11      | 12.90 | 12.10 | 10.00 |
| 12      | 13.90 | 13.10 | 11.00 |



CUSTOMER: E&T 恩得利工業股份有限公司 ENTERY INDUSTRIAL CO., LTD.

GENERAL TOLERANCE UNLESS OTHERWISE SPECIFIED:  
 X X ±0.25  
 X XX ±0.15  
 X.XXX ±0.10  
 ANG ±0.30

DRAWN: JUNO FEB-25-2011  
 CHECKED: [Signature]  
 APPROVED: [Signature]  
 SHEET: 1/1

PART NO: 3709K-XXXX-00X  
 TITLE: 1.0 WTB SMT V/T TYPE SINGLE ROW

|      |       |      |     |
|------|-------|------|-----|
| UNIT | SCALE | SIZE | REV |
| MM   | 7:1   | A4   | B   |

|             |       |          |
|-------------|-------|----------|
| REVISIONS   | CHK   | DATE     |
| RE201106032 | JIMMY | 06/25/11 |