

NOTES: MATERIAL & FINISH

1.INSULATOR:HIGH-TEMP THERMOPLASTIC, UL94V-0  
COLOR:NATURAL

2.CONTACT: COPPER ALLOY  
PLATING:TIN OR GOLD FLASH OR CONTACT AREA GOLD FLASH,  
SOLDER AREA TIN OVERALL NICKEL UNDER PLATED

3.ORDER INFORMATION: 3753K -XXXX-01 X



PACKING:R: PLASTIC REEL  
E: TUBE  
D: VACUUM ADN HUMIDITY LABEL  
L: PAPER REEL

TYPE  
N: STANDARD  
Y: PRINTING DATE CODE

PIN NO.

PLATING:B: CONTACT AREA GOLD FLASH,SOLDER AREA TIN

E: TIN

F: CONTACT GOLD FLASH,FITTING NAIL TIN

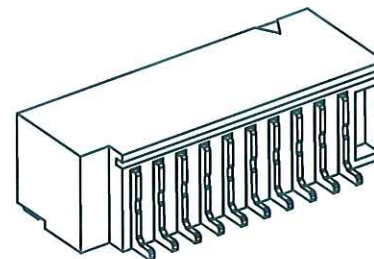
K: CONTACT AREA 30u"(MIN) GOLD  
OTHER AREA GOLD FLASH

H: CONTACT AREA 15u"(MIN) GOLD  
OTHER AREA GOLD FLASH

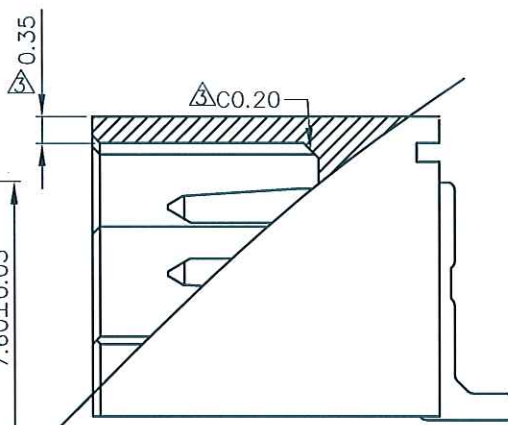
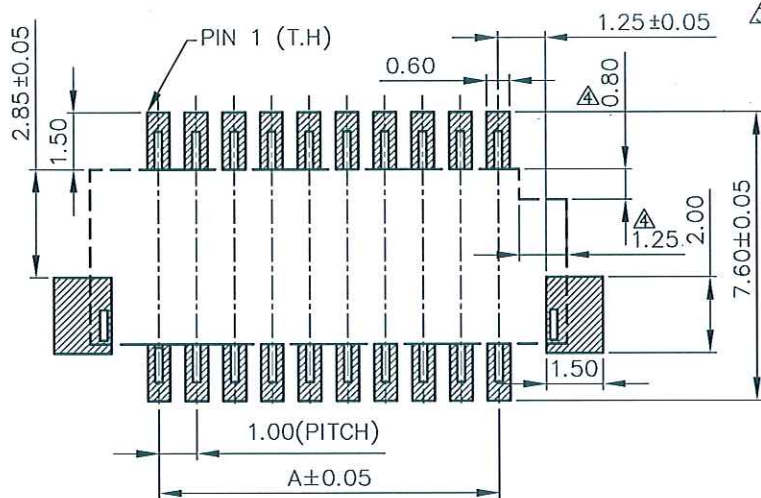
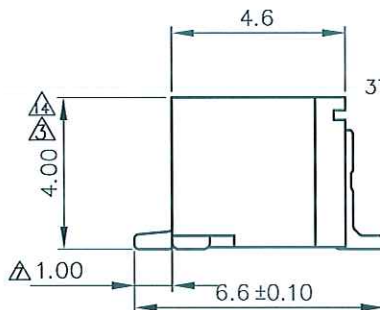
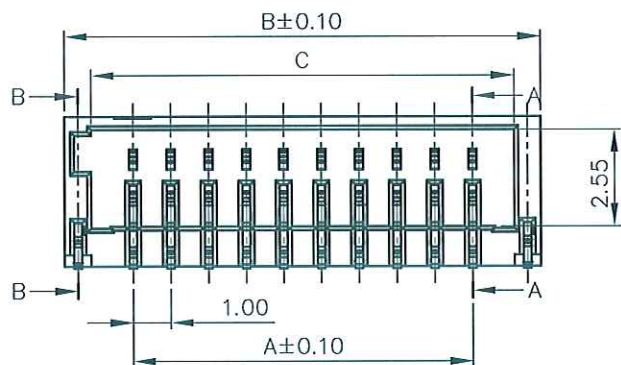
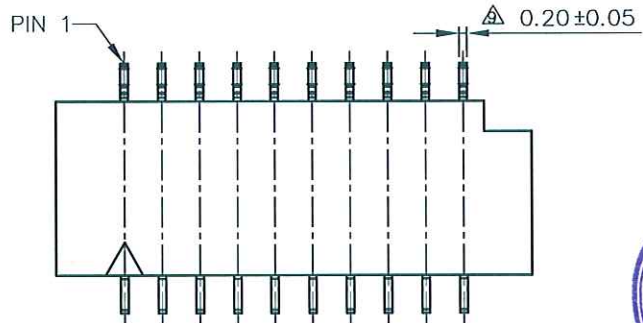
Q: MATTE-TIN

3753K: 1.0 WIRE TO BOARD SMT R/A DUAL ROW  
(HALOGEN FREE)

PIN NO.	A	B	C
06	2.0	5.6	4.2
08	3.0	6.6	5.2
10	4.0	7.6	6.2
12	5.0	8.6	7.2
14	6.0	9.6	8.2
16	7.0	10.6	9.2
18	8.0	11.6	10.2
20	9.0	12.6	11.2
22	10.0	13.6	12.2
24	11.0	14.6	13.2
26	12.0	15.6	14.2
28	13.0	16.6	15.2
30	14.0	17.6	16.2
32	15.0	18.6	17.2
34	16.0	19.6	18.2
36	17.0	20.6	19.2
38	18.0	21.6	20.2
40	19.0	22.6	21.2
42	20.0	23.6	22.2
44	21.0	24.6	23.2
46	22.0	25.6	24.2
48	23.0	26.6	25.2
50	24.0	27.6	26.2



ENTERY INDUSTRIAL CO., LTD.  
APR 14, 2014  
R&D D.C.C. ISSUED



SECTION A-A  
SCALE 8:1

REVISIONS	CHK	DATE
1	JOSH	04/01/14
2	Juno	04/26/13
3	Max	12/25/12
4	MAX	11/26/12
5	Juno	11/13/12
6	JIMMY	09/11/12

**CUSTOMER** E & T 恩得利工業股份有限公司  
ENTERY INDUSTRIAL CO., LTD.

GENERAL TOLERANCE UNLESS OTHERWISE SPECIFIED  
X.X ±0.25  
X.XX ±0.13  
X.XXX ±0.30'  
ANG.

DRAWN Tommy SEP-02-2005  
CHECKED  
APPROVED  
SHEET 1/1

PART NO. 3753K-XXXX-01X  
TITLE: 1.0 WTB SMT R/A TYPE DUAL ROW

UNIT MM SCALE 5:1 SIZE A4 REV S