

NOTES: MATERIAL & FINISH

1.INSULATOR: HIGH-TEMP THERMOPLASTIC, UL94V-0
COLOR: NATURAL

2.CONTACT: COPPER ALLOY

PLATING: ALL PLATED OVERALL NICKEL 50~100u" UNDER PLATED

3. ORDER INFORMATION: 3753K-X XX X-02 X

PACKING: R: PLASTIC REEL
E: TUBE
L: PAPER REEL

TYPE

N: STANDARD

Y: PRINTING DATE CODE

PIN NO.

PLATING: E: TIN

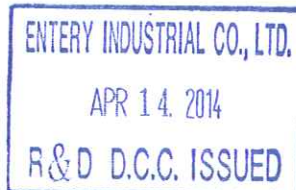
Q: MATTE-TIN

F: CONTACT GOLD FLASH
FITTING NAIL TIN

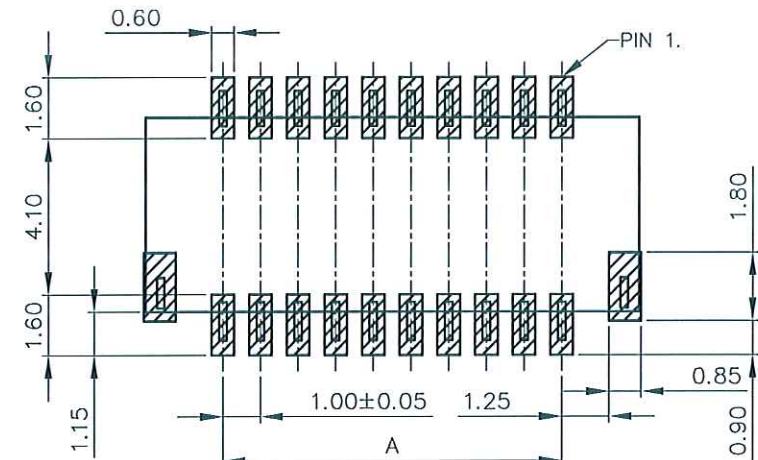
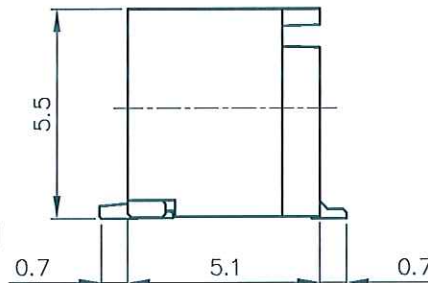
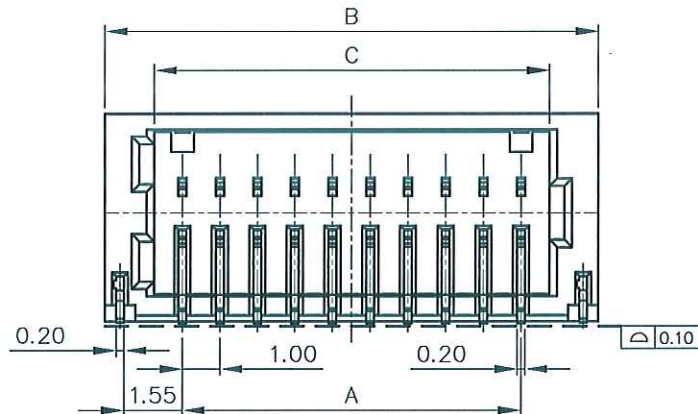
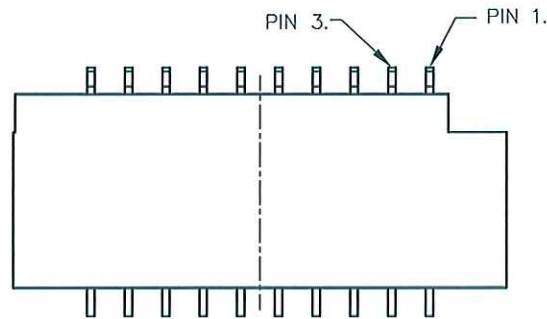
U: CONTACT GOLD FLASH
FITTING NAIL TIN

B: CONTACT AREA GOLD FLASH
SOLDER AREA TIN

3753K: 1.0 WIRE TO BOARD SMT R/A DUAL ROW (HALOGEN-FREE)



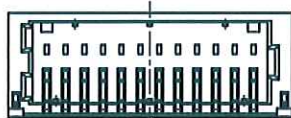
PIN NO.	A	B	C
010	4.0	8.1	5.5
012	5.0	9.1	6.5
018	8.0	12.1	9.5
020	9.0	13.1	10.5
024	11.0	15.1	12.5
030	14.0	18.1	15.5
040	19.0	23.1	20.5
050	24.0	28.1	25.5
060	29.0	33.1	30.5



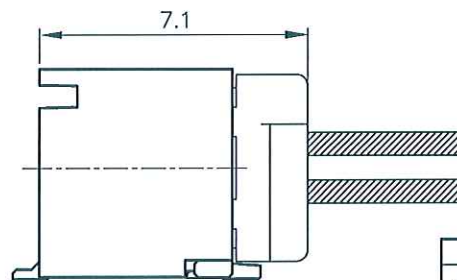
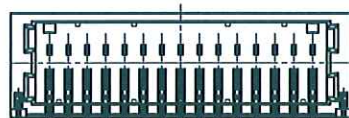
PC BOARD LAYOUT

TOLERANCES: ±0.1

FOR 24 PIN



FOR 30PIN



CUSTOMER: 恩得利工業股份有限公司 (ENTERY INDUSTRIAL CO., LTD.)

REVISIONS	CHK	DATE
RE201206014	Max	12/25/12
RE201210002		
RE201209003	JIMMY	09/11/12
RE201208001	JIMMY	08/08/12
REN100207	Joan	02/02/10
RE080642	Joan	07/16/08

GENERAL TOLERANCE UNLESS OTHERWISE SPECIFIED
X.X ±0.30
X.XX ±0.20
X.XXX ±0.10
ANG. ±0.30'

DRAWN: John OCT-29-2004
CHECKED: [Signature]
APPROVED: [Signature]
SHEET: 1/1

PART NO. 3753K-XXXX-02X
TITLE: 1.0 WTB SMT R/A TYPE DUAL ROW
UNIT: MM SCALE: 5:1 SIZE: A4 REV: F