

NOTES: MATERIAL & FINISH

- 1.INSULATOR:LCP , GF30% , UL94V-0
COLOR:NATURAL
- 2.CONTACT:COPPER ALLOY

PLATING: GOLD FLASH OR TIN OVERALL NICKEL UNDER PLATED

3. ORDER INFORMATION: 3756K -XXXX - 00 X

PACKING: R: PLATIC REEL
TYPE E: TUBE
L: PAPER REEL

C: CAP
S: POST+CAP
PIN(6~50)

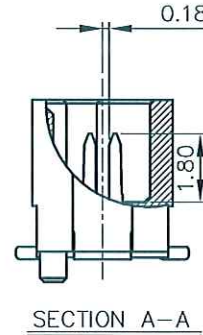
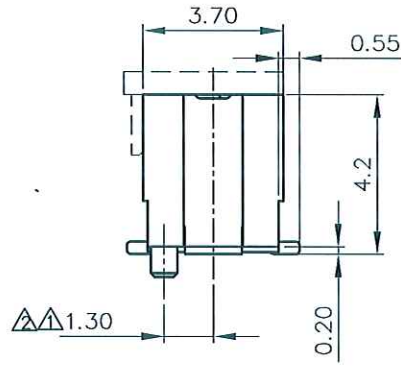
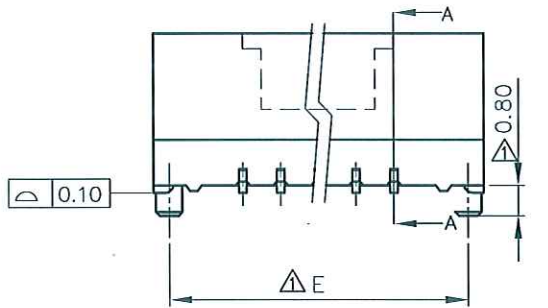
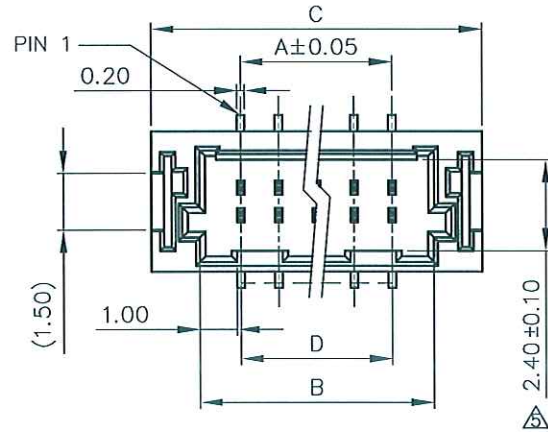
PLATING:

- F: CONTACT GOLD FLASH, FITTING NAIL TIN
- E: CONTACT TIN, FITTING NAIL TIN
- J: CONTACT 10u" GOLD, FITTING NAIL TIN

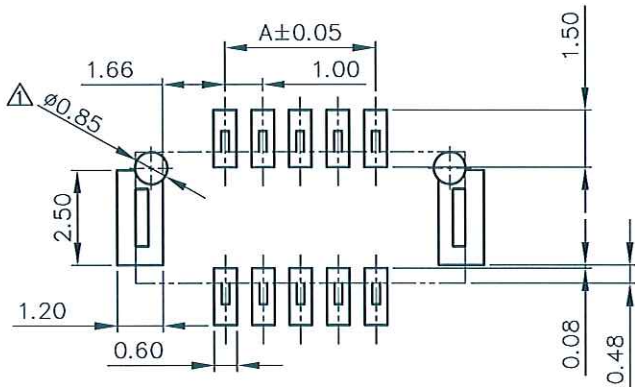
3756K: 1.0 WTB SMT V/T TYPE DUAL ROW (HALOGEN FREE)



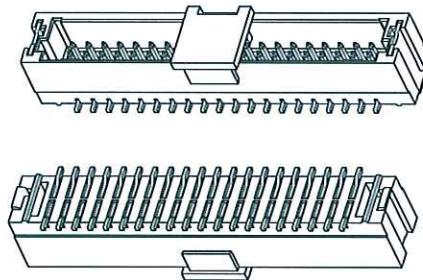
ENTERY INDUSTRIAL CO., LTD.
APR 15, 2014
R&D D.C.C. ISSUED



PIN	A	B	C	D(CAP)	E
6	2.00	4.20	6.74	4.00	5.92
8	3.00	5.20	7.74		6.92
10	4.00	6.20	8.74		7.92
12	5.00	7.20	9.74		8.92
14	6.00	8.20	10.74		9.92
16	7.00	9.20	11.74		10.92
18	8.00	10.20	12.74		11.92
20	9.00	11.20	13.74		12.92
22	10.00	12.20	14.74		13.92
24	11.00	13.20	15.74		14.92
26	12.00	14.20	16.74		15.92
28	13.00	15.20	17.74		16.92
30	14.00	16.20	18.74		17.92
32	15.00	17.20	19.74		18.92
34	16.00	18.20	20.74		19.92
36	17.00	19.20	21.74		20.92
38	18.00	20.20	22.74		21.92
40	19.00	21.20	23.74	22.92	
42	20.00	22.20	24.74	23.92	
44	21.00	23.20	25.74	24.92	
46	22.00	24.20	26.74	25.92	
48	23.00	25.20	27.74	26.92	
50	24.00	26.20	28.74	27.92	



P.C. BOARD LAYOUT



CUSTOMER

E & T 恩得利工業股份有限公司
ENTERY INDUSTRIAL CO., LTD.

REVISIONS	CHK	DATE
6	RE201401007	JOSH 04/01/14
5	REN131108	Juno 11/13/13
4	REN110326	JIMMY 03/23/11
3	REN110121	JIMMY 01/27/11
2	REN90201	HILL 02/03/09
1	REN81206	HILL 12/30/08

GENERAL TOLERANCE UNLESS OTHERWISE SPECIFIED
X.X ±0.20
X.XX ±0.10
X.XXX ANG. ±1'

DRAWN Hill MAR-21-2008
CHECKED
APPROVED
SHEET 1/1

PART NO. 3756K-XXXX-00X
TITLE: 1.0 WTB SMT V/T TYPE DUAL ROW
UNIT MM SCALE 5:1 SIZE A4 REV G