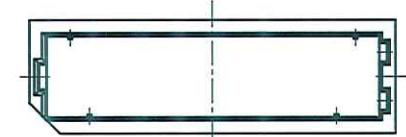
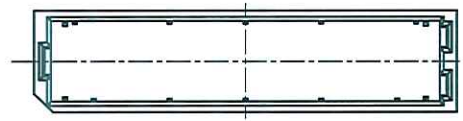
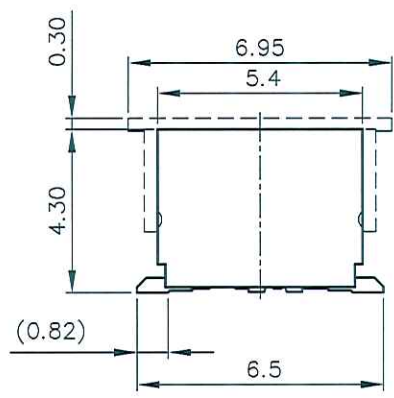


- NOTES: MATERIAL & FINISH
 1.INSULATOR: HIGH-TEMP THERMOPLASTIC, UL94V-0
 COLOR:NATURAL
 2.CONTACT: COPPER ALLOY
 PLATING: TIN OR MATTE-TIN OR GOLD FLASH
 OVERALL NICKEL UNFRT PLATED
 3.FITTING NAIL: COPPER ALLOY
 PLATING: TIN
 4.ORDER INFORMATION: 3761K -X XX X - 51 X



PACKING: R: PLASTIC REEL
 L: PAPER REEL
 E: TUBE
 CARRIER W FOR 32
 C: CAP
 Y: CAP+DATE CODE
 PIN NO.
 PLATING: E: TIN
 Q: MATTE-TIN
 F: CONTACT GOLD
 FITTING NAIL MATTE-TIN
 H: CONTACT AREA 15u"(MIN) GOLD
 OTHER AREA 1u"~5u"

3761K: 1.0 WTB SMT V/T TYPE DUAL ROW (HALOGEN FREE)



PIN	A	B	C
10	4.0	7.3	5.4
12	5.0	8.3	6.4
16	7.0	10.3	8.4
18	8.0	11.3	9.4
20	9.0	12.3	10.4
24	11.0	14.3	12.5
30	14.0	17.3	15.4
34	16.0	19.3	17.4
40	19.0	22.3	20.4
50	24.0	27.3	25.4

ENTERY INDUSTRIAL CO., LTD.
 JUN - 6. 2014
 R&D D.C.C. ISSUED

CUSTOMER: ENTERY INDUSTRIAL CO., LTD.

DRAWN: JUNO JUN-16-2009
 CHECKED: [Signature]
 APPROVED: [Signature]
 SHEET: 1/1

PART NO.: 3761K-XXXX-51X
 TITLE: 1.0 WTB SMT V/T TYPE DUAL ROW

UNIT	SCALE	SIZE	REV
MM	5:1	A4	G

REVISIONS	CHK	DATE
RE201401007	Ceres	06/06/14
RE201208014 RE201210002	MAX	12/28/12
RE201201006	JIMMY	01/02/12
REN100216	Juno	02/24/10
RE200911023	John	11/26/09
RE200909010	MAX	09/02/09

GENERAL TOLERANCE UNLESS OTHERWISE SPECIFIED
 X.X ±0.30
 X.XX ±0.20
 X.XXX ±0.10
 ANG. ±0°30'