

NOTES: MATERIAL & FINISH

1.INSULATOR:HIGH-TEMP THERMOPLASTIC, UL94V-0

COLOR:NATURAL

2.CONTACT: COPPER ALLOY

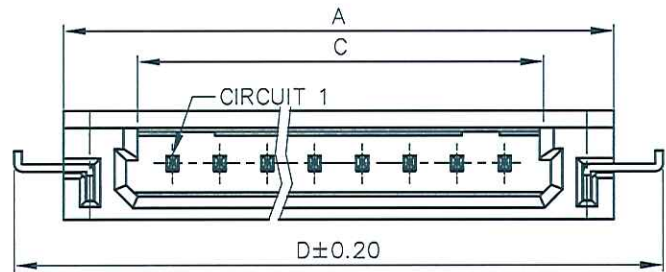
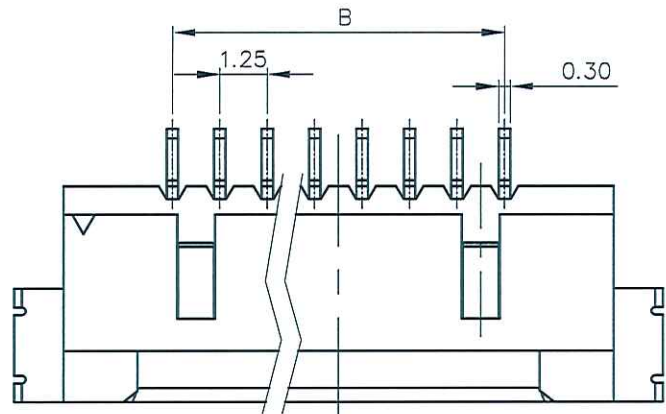
PLATING:TIN PLATED OVERALL NICKEL

3.LOCKING WINDOW: ONE PLACE FOR 2 TO 3 CKT.

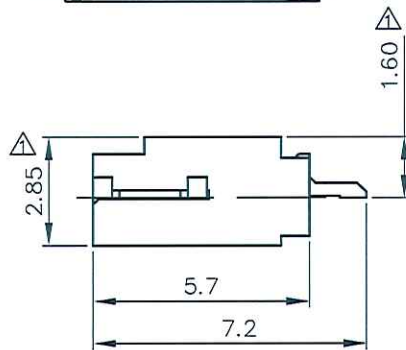
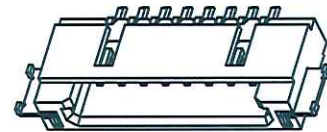
TWO PLACE FOR MORE THAN 3 CKT.

4.ORDER INFORMATION: 3804K-X XX X-10X

ENTERY INDUSTRIAL CO., LTD.
JUN 14 2013
R&D D.C.C. ISSUED



TOLERANCES ARE NOT TO BE ACCUMULATED



PACKING :R:PLASTIC CARRIER

E:TUBE

△L:PAPER CARRIER

N: W/POST

Y:PRINTING DATE CODE ,W/POST

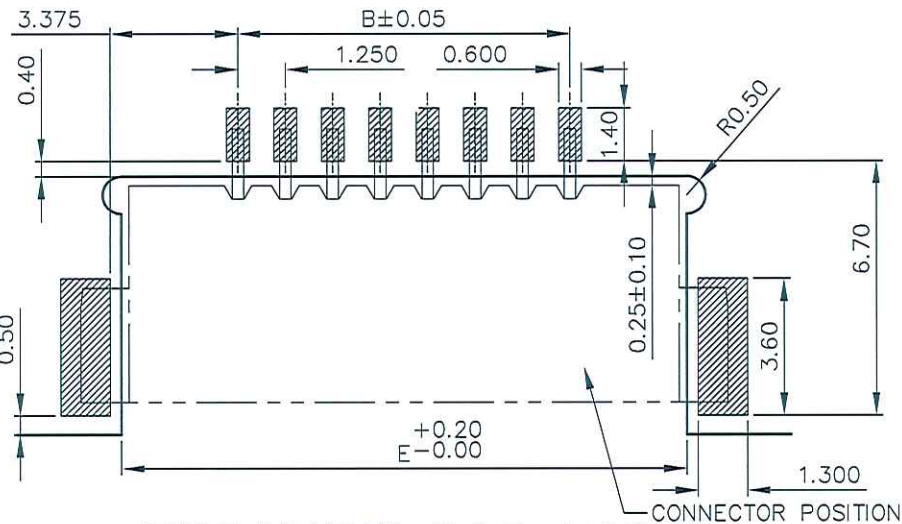
PIN NO.

PLATED:

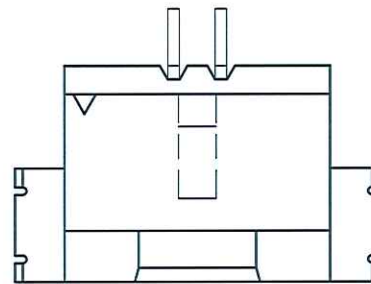
E:100u"~160u" TIN

F: GOLD FLASH,FITTING NAIL TIN

△3804K:1.25 WTB SMT R/A TYPE (HALOGEN FREE)



RECOMMENDED P.C.B. LAYOUT



FOR 02/03 PIN

PIN	A	B	C	D	E
02	7.00	1.25	3.10	9.60	7.20
03	8.25	2.50	4.35	10.85	8.45
04	9.50	3.75	5.60	12.10	9.70
05	10.75	5.00	6.85	13.35	10.95
06	12.00	6.25	8.10	14.60	12.20
07	13.25	7.50	9.35	15.85	13.45
08	14.50	8.75	10.60	17.10	14.70
09	15.75	10.00	11.85	18.35	15.95
10	17.00	11.25	13.10	19.60	17.20
15	23.25	17.50	19.35	25.85	23.45
20	29.50	23.75	25.60	32.10	29.70
25	35.75	30.00	31.85	38.35	35.95
30	42.00	36.25	38.10	44.60	42.20

CUSTOMER



恩得利工業股份有限公司
ENTERY INDUSTRIAL CO., LTD.

SER	REVISIONS	CHK	DATE
△6	RE201208014	MAX	12/27/12
△5	RE201210002	JIMMY	09/13/12
△4	RE201104009	Joan	04/19/11
△3	REN110213	JIMMY	02/17/11
△2	RE080411	Joan	06/03/08
△1	RE080215	Joan	03/07/08

GENERAL TOLERANCE UNLESS OTHERWISE SPECIFIED
X.X ±0.25
X.XX ±0.10
X.XXX ±0.05
ANG. ±1°

DRAWN: Joan MAR-07-2008
CHECKED: [Signature]
APPROVED: [Signature] 1/8/13
SHEET 1/1

PART NO. △△△ 3804K-XXXX-10X
TITLE: 1.25 WTB SMT R/A W/POST TYPE CONNECTOR
UNIT: MM SCALE: 5:1 SIZE: A4 REV: F