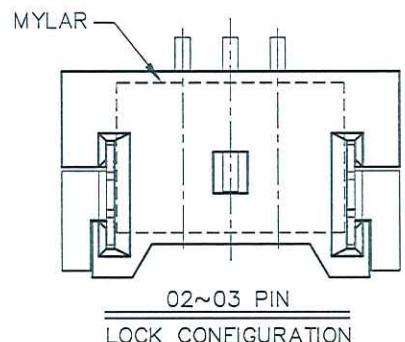


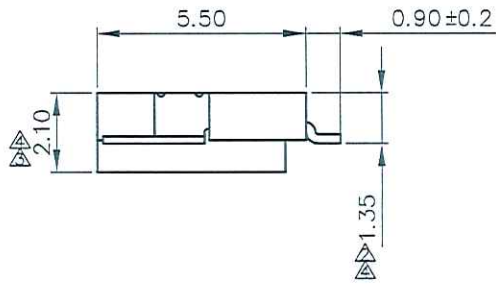
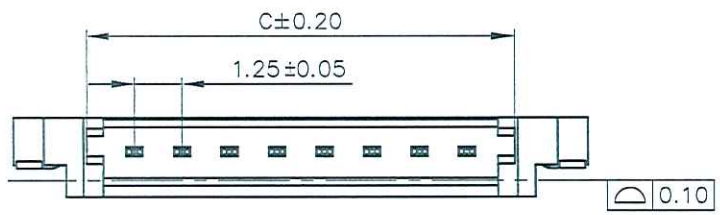
OVER 04 PIN
LOCK CONFIGURATION



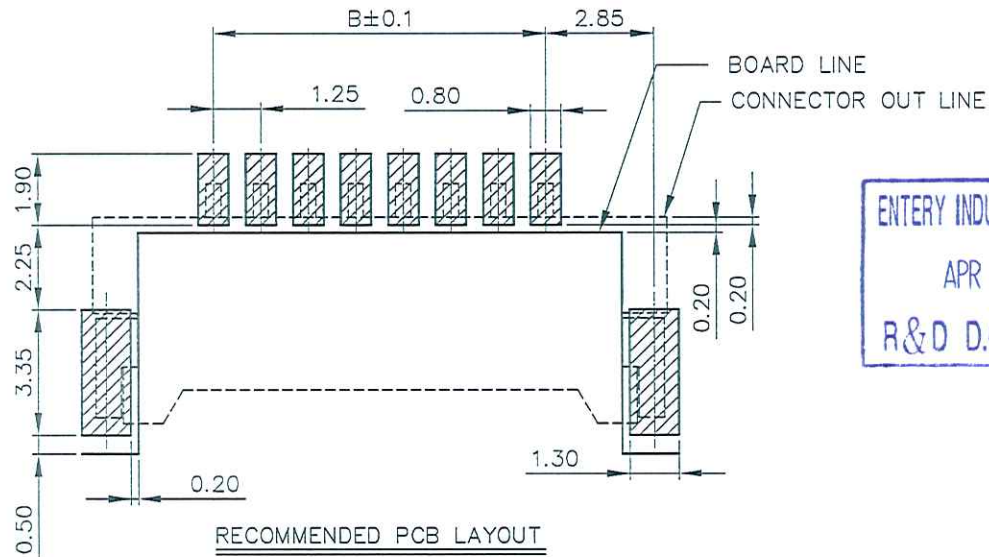
NOTE:
 1.INSULATOR:HIGH-TEMPERATURE THERMOPLASTIC UL94V-0
 COLOR:BLACK
 2.CONTACT:COPPER ALLOY
 PLATING:MATTE-TIN OR GOLD FLASH OVERALL NICKEL UNDER PLATED
 3.FITTING NAIL:COPPER ALLOY
 PLATING:MATTE-TIN PLATED
 ORDER INFORMATION: 3808K-X XX X - 05 X



PACKING:R:PLASTIC REEL
 L:PAPER RELL
 E:TUBE
 TYPE
 N:STANDARD
 M:ADD MYLAR(2-4PIN)
 PIN NO.
 PLATING: F:GOLD FLASH
 Q:MATTE-TIN
 1.25 WTB SMT R/A TYPE SINGLE ROW
 SUNK INTO THE BOARD TYPE
 (HALOGEN FREE)



PIN NO.	A	B	C	D
02	7.65	1.25	3.77	
03	8.90	2.50	5.02	
04	10.15	3.75	6.27	2.50
05	11.40	5.00	7.52	3.75
06	12.65	6.25	8.77	5.00
07	13.90	7.50	10.02	6.25
08	15.15	8.75	11.27	7.50
09	16.40	10.00	12.52	8.75
10	17.65	11.25	13.77	10.00
11	18.90	12.50	15.02	11.25
12	20.15	13.75	16.27	12.50
13	21.40	15.00	17.52	13.75
14	22.65	16.25	18.77	15.00
15	23.90	17.50	20.02	16.25



ENTERY INDUSTRIAL CO., LTD.
 APR 26, 2013
 R&D D.C.C. ISSUED

CUSTOMER		恩得利工業股份有限公司 ENTERY INDUSTRIAL CO., LTD.	
GENERAL TOLERANCE UNLESS OTHERWISE SPECIFIED		DRAWN Juno JUL-09-2012 CHECKED APPROVED SHEET 1/1	PART NO. 3808K-XXXX-05X TITLE: 1.25 WTB SMT R/A TYPE SINGLE ROW SUNK INTO THE BOARD TYPE
REVISIONS	CHK	DATE	UNIT SCALE SIZE B
SER			MM 5:1 A4 D

REVISIONS	CHK	DATE
RE201302005	Josh	04/22/13
RE201208013	Juno	08/16/12
REN120804	JIMMY	08/09/12
RE201205004	Juno	07/09/12