

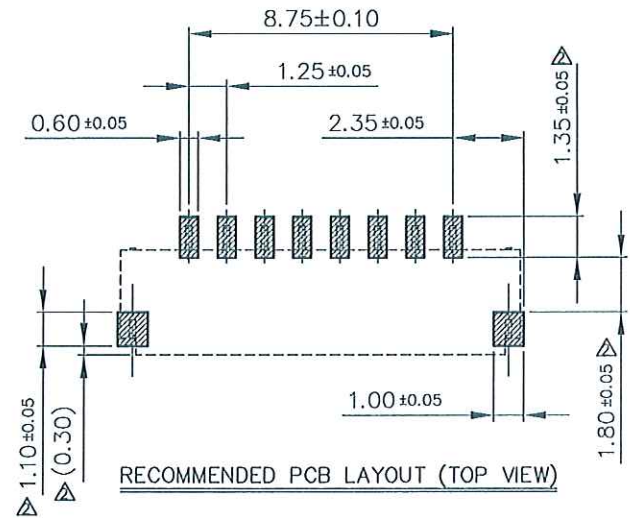
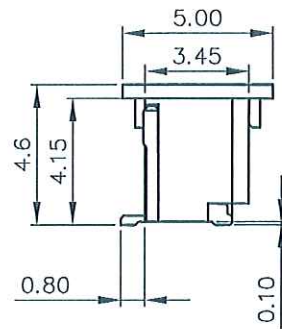
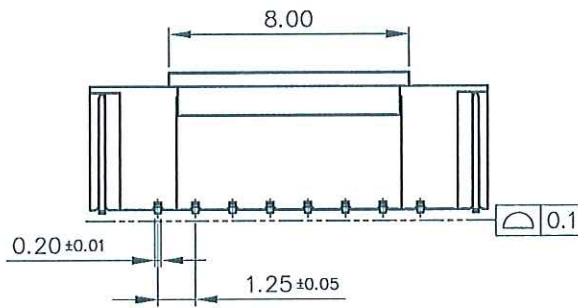
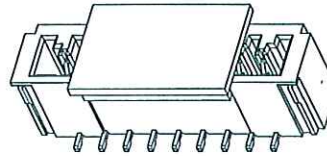
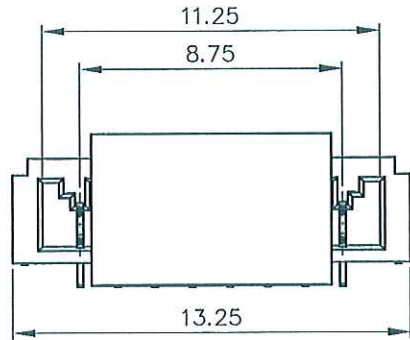
NOTES: MATERIAL AND FINISH

- 1.INSULATOR: HIGH-TEMP THERMOPLASTIC, UL94V-0
COLOR: NATURE
- 2.CONTACT: COPPER ALLOY, PLATING: GOLD FLASH OR TIN OR MATTE TIN.
- 3.FITTING NAIL: COPPER ALLOY, PLATING: TIN.

ORDER INFORMATION: 3809 K-X 08 C-01 X

PACKING: R: CARRIER
E: TUBE
L: PAPER CARRIER

TYPE
C: ADD CAP
PIN
PLATED:
F: CONTACT GOLD, FITTING NAIL TIN
E: TIN
Q: MATTE-TIN
HALOGEN-FREE MATERIALS
WTB B/H SMT V/T



ENTERY INDUSTRIAL CO., LTD.
OCT - 5. 2012
R&D D.C.C. ISSUED

REVISIONS	REVISIONS	CHK	DATE
△	RE201209007	JUNO	09/25/12
△	REN11234	JUNO	12/30/11

CUSTOMER	E&T 恩得利工業股份有限公司 ENTERY INDUSTRIAL CO., LTD.	
	DRAWN <i>Juno Dec-30-2011</i>	PART NO. 3809K-X08C-01X
UNLESS OTHERWISE SPECIFIED	CHECKED	TITLE: 1.25 PITCH WTB BH SMT V/T LOW INSERTION TYPE
X.X ±0.25	APPROVED <i>[Signature]</i>	UNIT MM
X.XX ±0.13	SHEET 1/1	SCALE 4:1
X.XXX ±0.1		SIZE A4
ANG. ±2°		REV B