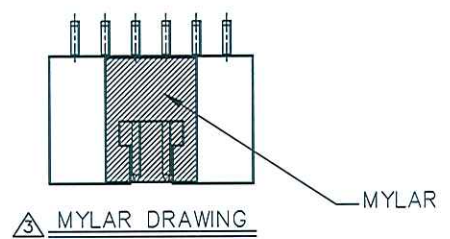
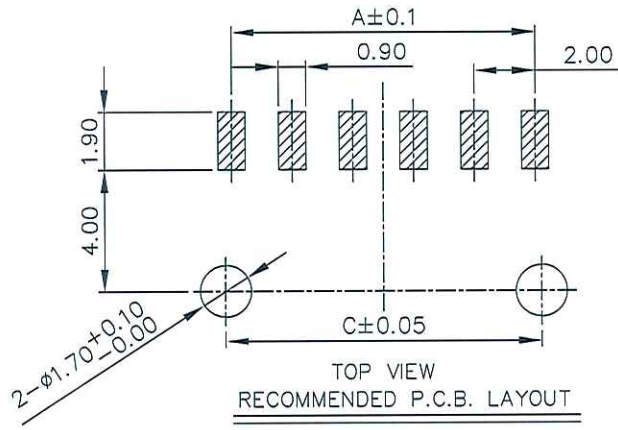
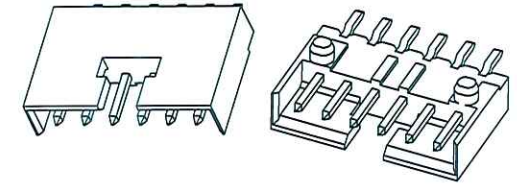
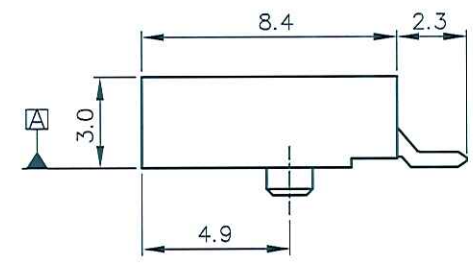
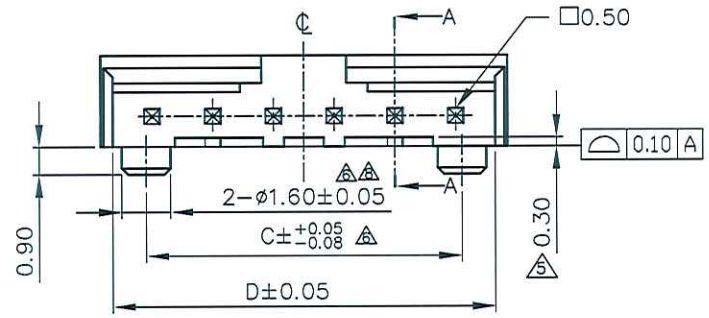
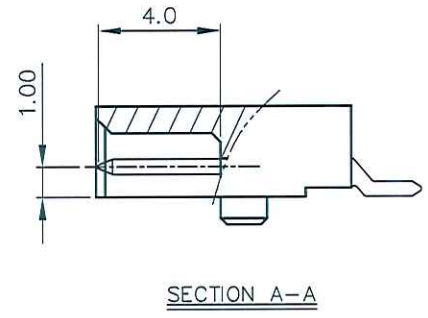
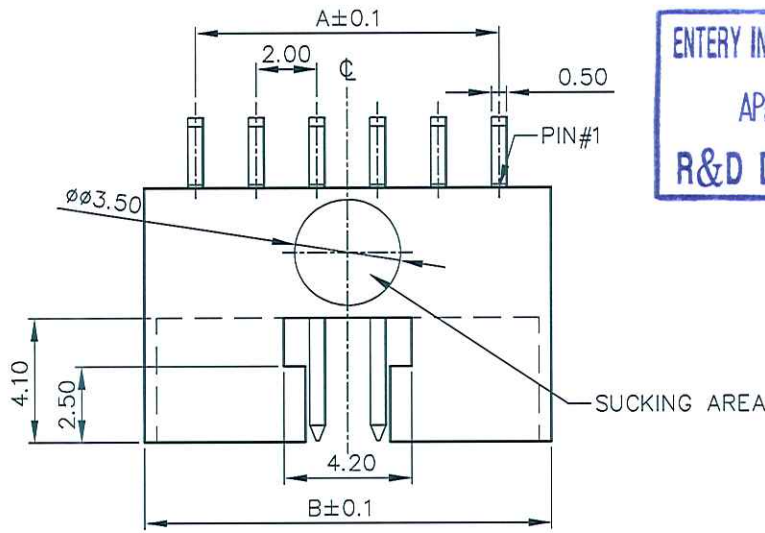


NOTES: MATERIAL & FINISH  
 1. MATERIAL: HIGH-TEMP THERMOPLASTIC, UL94V-0  
 COLOR: BLACK  
 2. CONTACT: COPPER ALLOY  
 PLATING: GOLD FLASH OR TIN OR MATTE-TIN  
 OVERALL NICKEL UNDER PLATED  
 3. ORDER INFORMATION: 4070K-X XX X-00,01,20 X

ENTERY INDUSTRIAL CO., LTD.  
 APR 25, 2014  
 R&D D.C.C. ISSUED

PACKING  
 R: PLASTIC REEL  
 E: TUBE  
 L: PAPER REEL  
 TYPE: 00: PACKAGE STANDAND  
 01: PACKAGE REVERSE  
 20: CARRIEW WTDIH DIFFERENT  
 N: STANDARD  
 M: WITH MYLAR  
 PIN NO.  
 PLATED  
 E: TIN  
 Q: MATTE-TIN  
 F: GOLD-FLASH  
 4070K : 2.0 WTB SMT R/A TYPE CONNECTOR  
 (HALOGEN FREE)



PIN NO.	A	B	C	D
04	6.00	9.40	6.40	8.60
05	8.00	11.40	8.40	10.60
06	10.00	13.40	10.40	12.60
07	12.00	15.40	12.40	14.60
08	14.00	17.40	14.40	16.60
09	16.00	19.40	16.40	18.60
10	18.00	21.40	18.40	20.60

CUSTOMER: 恩得利工業股份有限公司  
 E & T  
 ENTERY INDUSTRIAL CO., LTD.

SER	REVISIONS	CHK	DATE
△	RE201401007	NEIL	03/05/14
△	REN130713	Juno	07/17/13
△	RE201303022	Juno	05/14/13
△	REN110711	JIMMY	07/14/11
△	REN110326	JIMMY	03/23/11
△	RE201101027	Joan	02/09/11

GENERAL TOLERANCE UNLESS OTHERWISE SPECIFIED  
 X.X ±0.30  
 X.XX ±0.20  
 X.XXX ±0.05  
 ANG. ±1°  
 DRAWN: John DEC-18-2008  
 CHECKED:  
 APPROVED: [Signature]  
 SHEET 1/1

PART NO. △△△△  
 4070K-XXXX-00,01,20X  
 TITLE:  
 2.0 WTB SMT R/A TYPE CONNECTOR  
 UNIT SCALE SIZE REV  
 MM 5:1 A4 L