

NOTES: MATERIAL & FINISH

1.INSULATOR:HIGH-TEMP THERMOPLASTIC, UL94V-0
COLOR:NATURAL

2.CONTACT:PHOSPHOR BRONZE
PLATING:TIN OR MATTE-TIN OR GOLD FLASH PLATING

3.FITTING NAIL:BRASS
PLATING:TIN OR TIN OR MATTE-TIN OR GOLD FLASH PLATING

4.ORDER INFORMATION: 4100K -X02N - 00,20 X

PACKING: R: PLASTIC REEL
E: TUBE
L: PAPER REEL

TYPE: 00: STANDARD
20: CONTACT MATERIAL

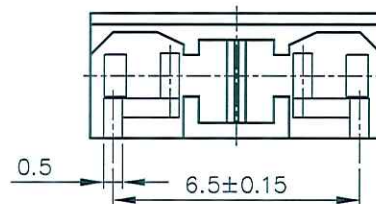
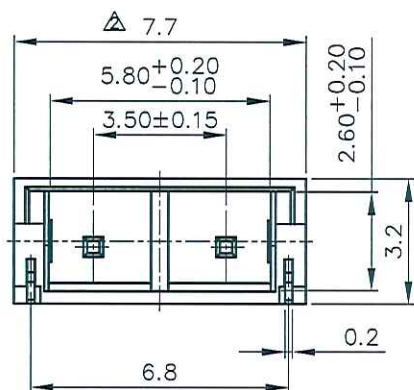
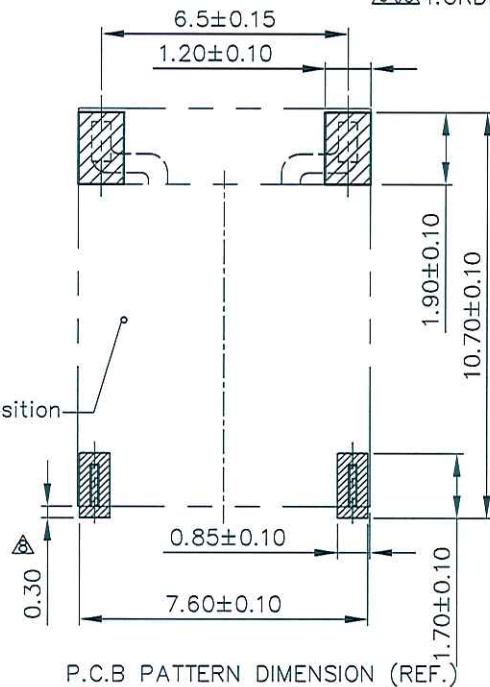
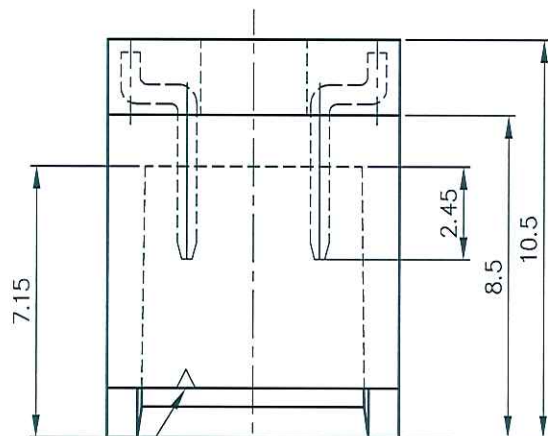
STANDARD
PIN NO.

PLATING: E: TIN

Q: MATTE-TIN

U: CONTACT AND FITTING NAIL (GOLD FLASH)

4100K: 3.5 WTB SMT R/A TYPE MALE
(Halogen Free)



ENTERY INDUSTRIAL CO., LTD.
APR 28. 2014
R&D D.C.C. ISSUED

REVISIONS	SER	CHK	DATE
RE201206014	Max	12/28/12'	
RE201210002	JIMMY	12/05/12'	
RE201104009	Joan	04/19/11'	
RE080331	John	07/29/09'	
RE071214	Joan	12/25/07'	
RE071208	Joan	12/18/07'	

CUSTOMER		恩得利工業股份有限公司 ENTERY INDUSTRIAL CO., LTD.	
GENERAL TOLERANCE UNLESS OTHERWISE SPECIFIED	DRAWN John SEP-02-2004	PART NO. 4100K-X02N-00,20X	U: U
X.X ±0.30	CHECKED	TITLE: 3.5 WTB SMT R/A TYPE MALE	
X.XX ±0.20	APPROVED John 1/8/13'	UNIT MM	SCALE 5:1
X.XXX ANG. ±0'30'	SHEET 1/1	SIZE A4	REV J