

NOTES: MATERIAL & FINISH

1.INSULATOR:HIGH-TEMP THERMOPLASTIC, UL94V-0  
COLOR:NATURAL

2.CONTACT: COPPER ALLOY  
PLATING: TIN OR MATTE-TIN OR GOLD FLASH PLATING

3.FITTING NAIL:BRASS  
PLATING: TIN OR TIN OR MATTE-TIN OR GOLD FLASH PLATING

4.ORDER INFORMATION: 4100K -X02N - 01,21 X

PACKING: R: PLASTIC REEL  
E: TUBE  
L: PAPER REEL

TYPE: 01: STANDARD  
21: CONTACT MATERIAL

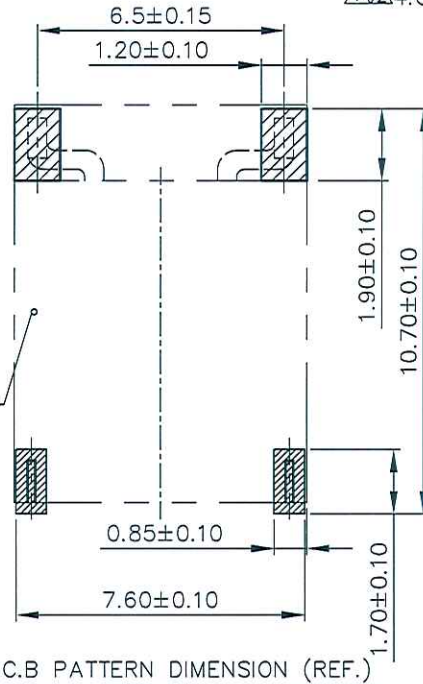
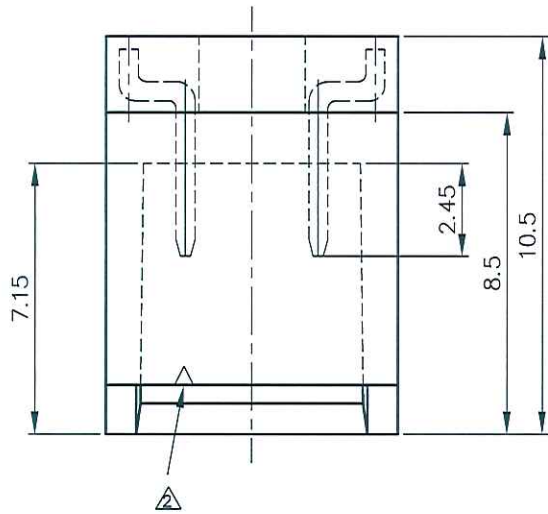
STANDARD  
PIN NO.

PLATING: E: TIN

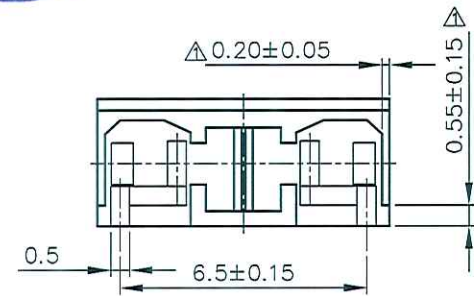
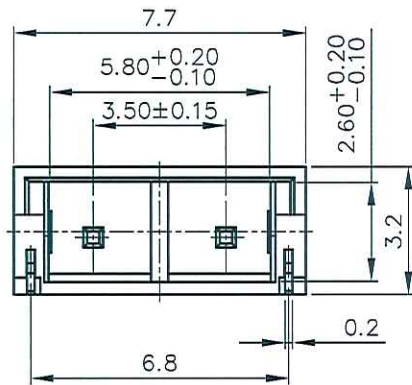
Q: MATTE-TIN

U: CONTACT AND FITTING NAIL (GOLD FLASH)

4100K: 3.5 WTB SMT R/A TYPE MALE(HALOGEN FREE)



P.C.B PATTERN DIMENSION (REF.)



ENTERY INDUSTRIAL CO., LTD.  
APR 28. 2014  
R&D D.C.C. ISSUED

SER	REVISIONS	CHK	DATE
△	RE201208014	Max	12/28/12
△	RE201210002		
△	RE201104009	Joan	04/19/11
△	RE080331	John	07/29/09
△	RE071214	Joan	12/25/07

CUSTOMER		恩得利工業股份有限公司 E&T ENTERY INDUSTRIAL CO., LTD.	
GENERAL TOLERANCE UNLESS OTHERWISE SPECIFIED		DRAWN Joan DEC-25-2007	PART NO. △ 4100K-X02N-01,21X
OTHERWISE SPECIFIED		CHECKED	TITLE: 3.5 WTB SMT R/A TYPE MALE
APPROVED		SHEET 1/1	
UNIT		SCALE	SIZE
MM		5:1	A4
REV		D	