

NOTES:

- 1. HOUSING MATERIAL: HIGH-TEMP THERMOPLASTIC UL94V-0, COLOR: NATURE
- △ 2. CONTACT MATERIAL: COPPER ALLOY PLATING: MATTE-TIN OR GOLD FLASH PLATED
- 3. FITTING NAIL MATERIAL: COPPER ALLOY PLATING: MATT-TIN PLATED

ORDER INFORMATION: 4270 X-X 02 N- 00,20 X

PACKING: R: PLASTIC REEL
L: PAPER REEL
E: TUBE

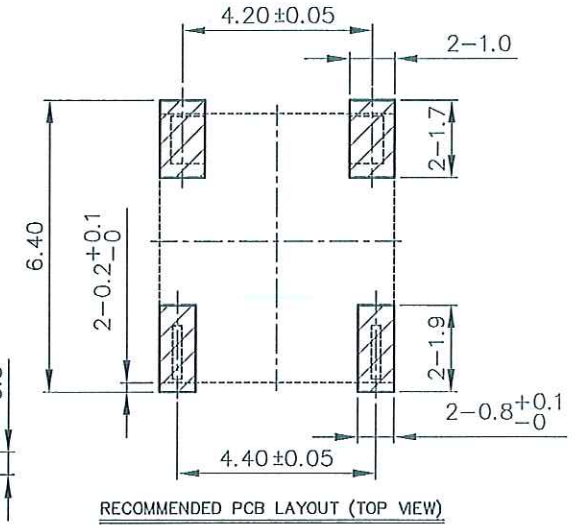
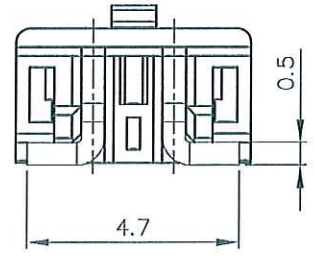
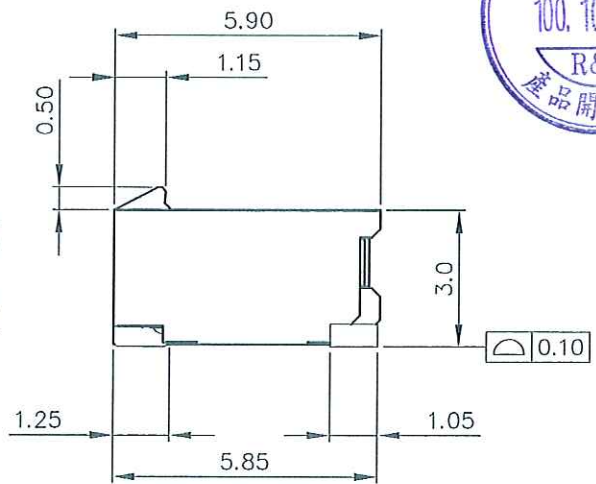
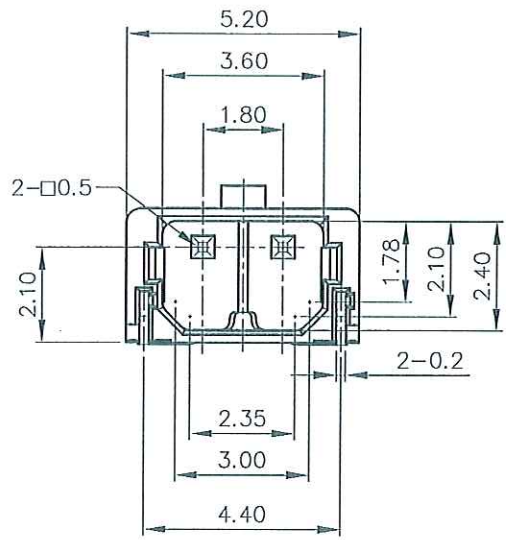
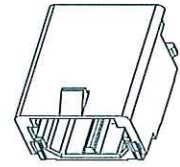
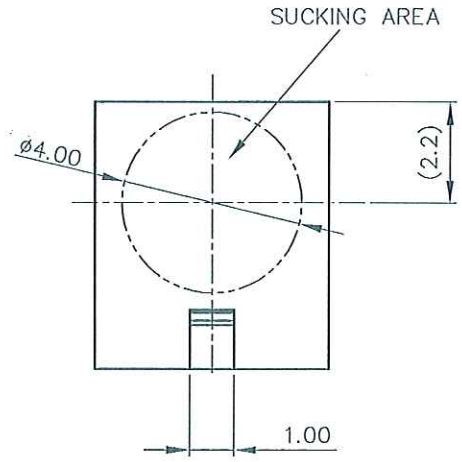
00: STANDARD
20: CARRIER ADD HOLE △

N: STANDARD
PIN NO.

PLATING

Q: MATTE-TIN
△ F: GOLD FLASH

4270: 1.8 WT B SMT R/A TYPE SINGLE ROW
4270K: 1.8 WT B SMT R/A TYPE SINGLE ROW (HALOGEN FREE)



ENTERY INDUSTRIAL CO., LTD.
OCT 19, 2011
R&D D.C.C. ISSUED

| | | | |
|-----|-------------|-------|----------|
| △ | RE201109017 | JUNO | 09/26/11 |
| △ | RE201006027 | JIMMY | 11/01/10 |
| SER | REVISIONS | CHK | DATE |

| | | | |
|---|--|---|----------------------------------|
| CUSTOMER | | 恩得利工業股份有限公司 E&T ENTERY INDUSTRIAL CO., LTD. | |
| GENERAL TOLERANCE UNLESS OTHERWISE SPECIFIED | | DRAWN Juno MAY-20-2010 | PART NO. △△ 4270X-X02N-00,20X |
| X.X ±0.25 X.XX ±0.15 X.XXX ±0.10 ANG. ±0°30' | | CHECKED | TITLE: 1.8 WT B |
| | | APPROVED 10/27/11 | |
| SHEET 1/1 | | UNIT MM | SCALE 6:1 SIZE A4 REV C |