

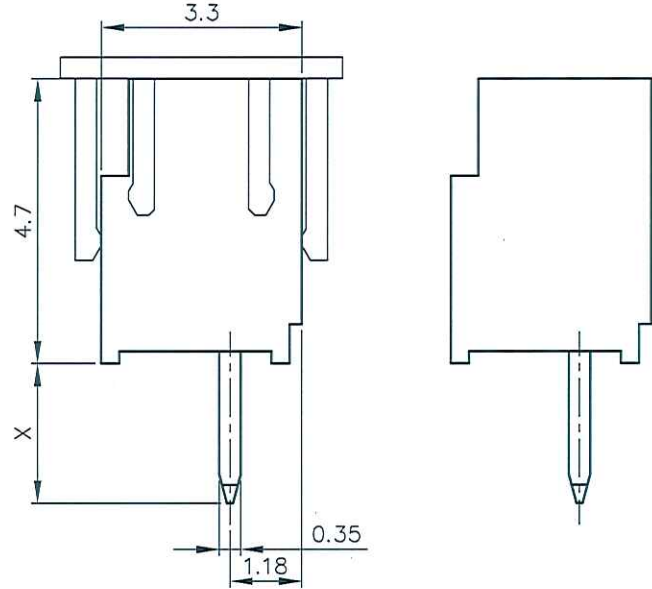
2 PIN 3 PIN

NOTE:
 LOCKING WINDOWS: ONE PLACE FOR 2 AND 3 PIN
 TWO PLACES FOR MORE THAN 3 PIN
 INSULATOR MATERIAL: HIGHT-TEMP THERMOPLASTIC, UL94V-0
 CONTACT MATERIAL: COPPER ALLOY
 PLATING: GOLD FLASH OR TIN OR MATTE-TIN OVERALL
 NICKEL UNDER PLATED.
 THIS DRAWING PRODUCTS COMPLY WITH THE E&T GREEN PRODUCT SPECIFICATION.

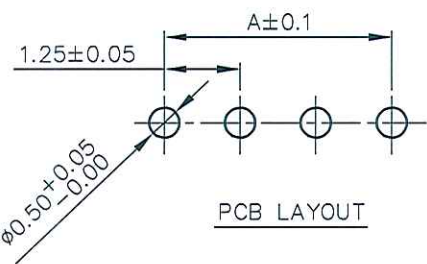
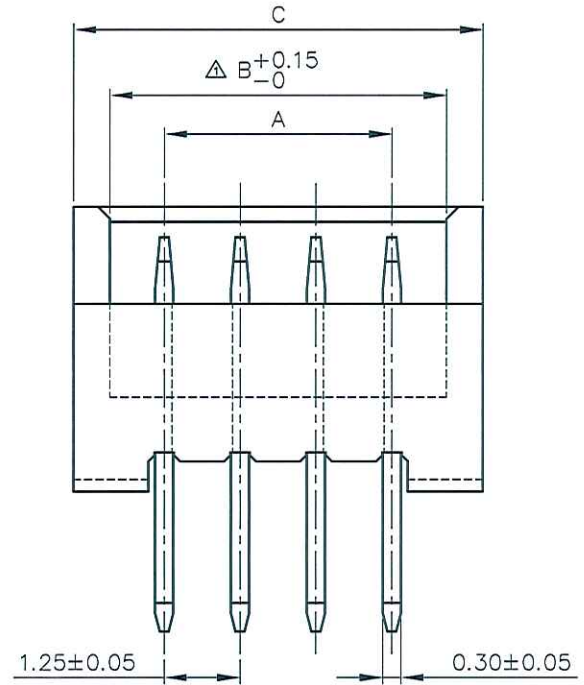
ORDER INFORMATION: 4300K-X XX X- 01,02 X
 PACKING
 R: PLASTIC REEL
 E: TUBE
 C: TRAY
 L: PAPER REEL
 TYPE
 N: STANDARD
 C: CAP
 Y: DATE CODE
 PIN NO.
 PLATING
 E: TIN
 F: GOLD FLASH (ONLY 02 TYPE)
 Q: MATTE-TIN

4300K: 1.25 WAFER DIP V/T TYPE

PIN NO.	A	B	C
02	1.25	3.05	4.25
03	2.50	4.30	5.50
04	3.75	5.55	6.75
05	5.00	6.80	8.00
06	6.25	8.05	9.25
07	7.50	9.30	10.50
08	8.75	10.55	11.75
09	10.00	11.80	13.00
10	11.25	13.05	14.25
11	12.50	14.30	15.50
12	13.75	15.55	16.75
13	15.00	16.80	18.00
14	16.25	18.05	19.25
15	17.50	19.30	20.50



4300K-XXXC-01,02X 4300K-XXXN,Y-01,02X



ENTERY INDUSTRIAL CO., LTD.
 MAY 26. 2014
 R&D D.C.C. ISSUED

TYPE	01	02	CUSTOMER	恩得利工業股份有限公司 ENTERY INDUSTRIAL CO., LTD.			
DIM. X	2.3	1.5					
RE201401007	Ceres	05/23/14	GENERAL TOLERANCE UNLESS OTHERWISE SPECIFIED X.X ±0.25 X.XX ±0.13 X.XXX ANG. ±0'30'	DRAWN John JUL-30-2004 CHECKED APPROVED SHEET 1/1			
RE201208014 RE201210002	MAX	12/21/12'					
RE081138	Jonh	07/28/09					
REN80606	Joan	06/30/08					
RE080611	Joan	06/25/08					
RE061014	Hill	10/31/06	ANG. ±0'30'	TITLE: 1.25 WAFER DIP V/T TYPE			
SER	REVISIONS	CHK	DATE	UNIT MM	SCALE 8:1	SIZE A4	REV 1