

2 PIN

3 PIN

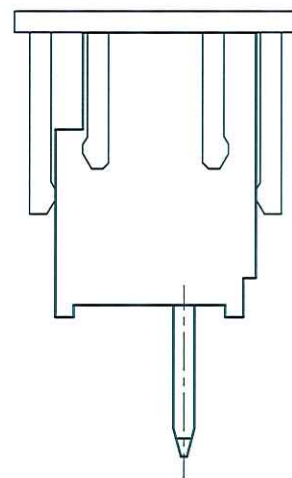
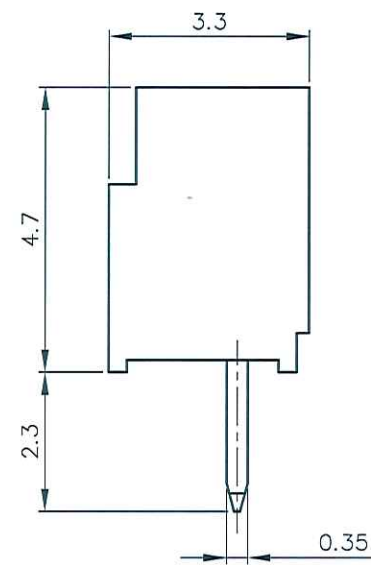
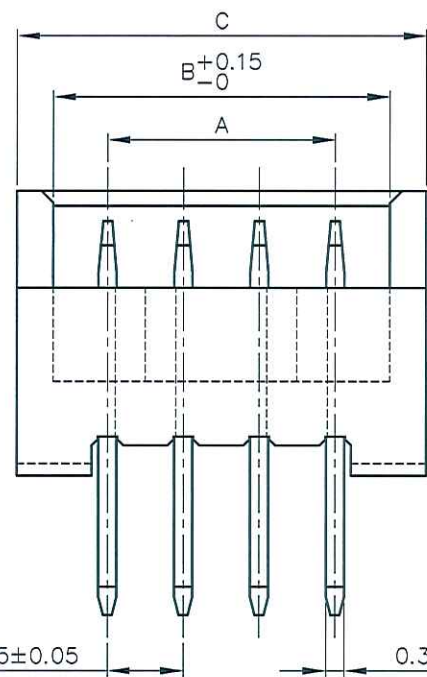
NOTE:  
 LOCKING WINDOWS: ONE PLACE FOR 2 AND 3 PIN  
 TWO PLACES FOR MORE THAN 3 PIN  
 INSULATOR MATERIAL: HIGH-TEMP THERMOPLASTIC, UL94V-0  
 CONTACT MATERIAL: COPPER ALLOY  
 PLATING: TIN OR MATTE-TIN OVERALL NICKEL UNDER PLATED.  
 THIS DRAWING PRODUCTS COMPLY WITH THE E&T GREEN PRODUCT SPECIFICATION.

△△△ ORDER INFORMATION: 4300K-X XX X- 03 X

PACKING  
 R: PLASTIC REEL  
 E: TUBE  
 C: TRAY  
 L: PAPER REEL  
 TYPE  
 N: STANDARD  
 C: CAP △

PIN NO.  
 PLATING  
 E: TIN  
 Q: 100u"~160u" MATTE-TIN

△ 4300K: 1.25 WAFER DIP V/T TYPE

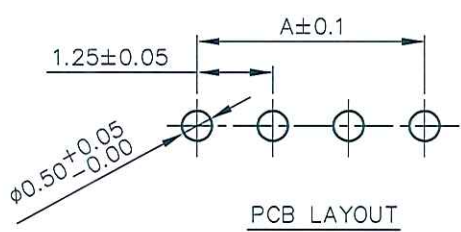


4300K-XXXN-03X

△ 4300K-XXXC-03X



PIN NO.	A	B	C
04	3.75	5.55	6.75
07	7.50	9.30	10.50



ENTERY INDUSTRIAL CO., LTD.  
 MAY 26, 2014  
 R&D D.C.C. ISSUED

SER	REVISIONS	CHK	DATE
△	RE201401007	Ceres	05/23/14
△	RE201206014 RE201210002	MAX	12/21/12
△	RE081138	John	07/28/09
△	RE080930	Joe	09/28/08

**CUSTOMER** 恩得利工業股份有限公司  
 E&T ENTERY INDUSTRIAL CO., LTD.

DRAWN: John JUL-30-2004  
 CHECKED: [Signature]  
 APPROVED: [Signature]  
 SHEET: 1/1

PART NO. △△ 4300K-XXXX-03X  
 TITLE: 1.25 WAFER DIP V/T TYPE

UNIT: MM SCALE: 8:1 SIZE: A4 REV: D