

NOTES: MATERIAL & FINISH

- 1.INSULATOR: HIGH-TEMP THERMOPLASTIC, UL94V-0
COLOR: WHITE
- 2.CONTACT: COPPER ALLOY
PLATING: TIN FLASH OVERALL NICKEL UNDER PLATED
- 3.DIMENSION (D) IS DIFFERENT WITH 4301K-XXXN-00X
- 4.LOCKING WINDOW: ONE PLACE FOR 2 AND 3 PINS

TWO PLACES FOR MORE THAN 3 PINS

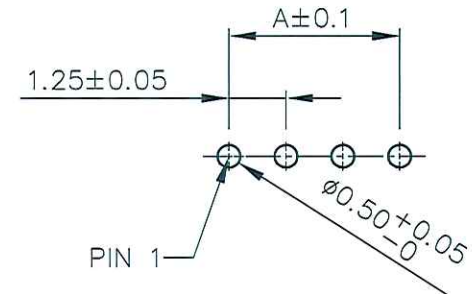
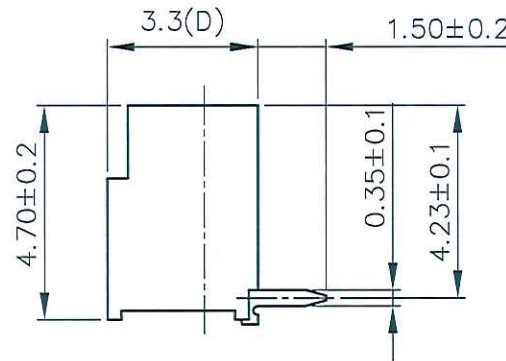
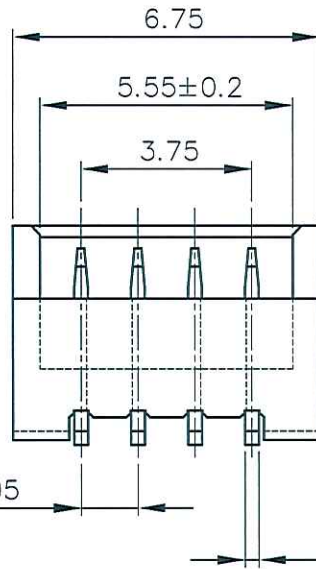
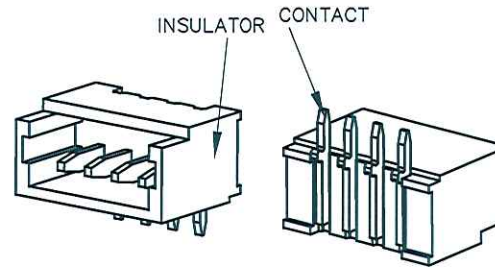
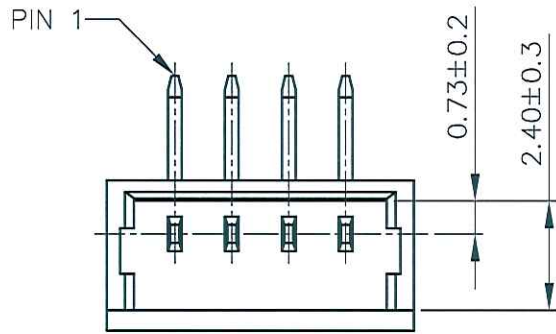
△5.ORDER INFORMATION: 4301K-X 04 N-02 X

PACKING: R: PLASTIC REEL
E: TUBE
C: TRAY
L: PAPER REEL

STANDARD
PIN: 02~15

PLATING: E: TIN
Q: 100u"~160u" MATTE-TIN

△4301K: 1.25 WIRE TO BOARD DIP R/A TYPE SINGLE ROW
(HALOGEN FREE)



P.C. BOARD LAYOUT:
TOLERANCES ARE NOT TO BE ACCUMULATED
TOLERANCES: ±0.1

ENTERY INDUSTRIAL CO., LTD.
JUN -3. 2014
R&D D.C.C. ISSUED

REVISIONS	CHK	DATE
RE 201205014	MAX	12/22/12
RE 201210002		
REN120813	KAZ	08/15/12

CUSTOMER		恩得利工業股份有限公司 E&T ENTERY INDUSTRIAL CO., LTD.	
GENERAL TOLERANCE UNLESS OTHERWISE SPECIFIED	DRAWN SIMON AUG-11-2010	PART NO. △ 4301K-X04N-02X	
X.X ±0.25	CHECKED	TITLE: 1.25 WAFER DIP R/A J TYPE SINGLE ROW	
X.XX ±0.13	APPROVED [Signature]	SHEET 1/1	
X.XXX ANG. ±0.30'		UNIT MM	SCALE 5:1
		SIZE A4	REV C