

NOTES: MATERIAL & FINISH

1.INSULATOR: HIGH-TEMP THERMOPLASTIC, UL94V-0

COLOR: NATURE

2.CONTACT: COPPER ALLOY

3.PLATING: TIN OR GOLD FLASH ,OVERALL NICKEL UNDER PLATED

ORDER INFORMATION: 4509K-X XX N-02,12 X

PACKING: L: PAPER REEL

R: PLASTIC REEL

E: TUBE

D: TRAY AND HUMIDITY LABEL

02: STANDARD

12: CARRIER DIFFERENT

STANDARD

PIN NO.

PLATED:

E: TIN

Q: MATTE-TIN

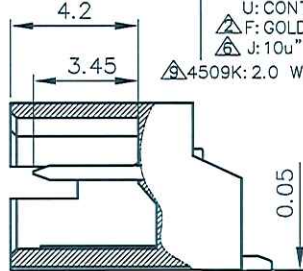
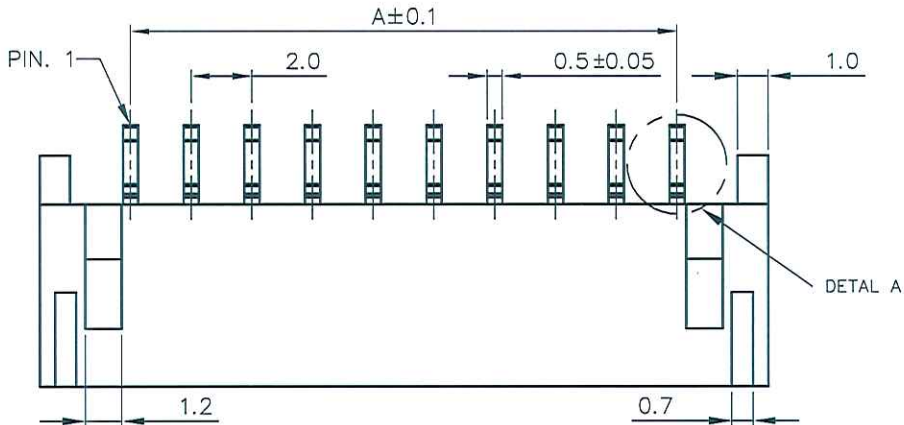
U: CONTACT AND FITTING NAIL(GOLD FLASH)

F: GOLD FLASH

J: 10u" GOLD

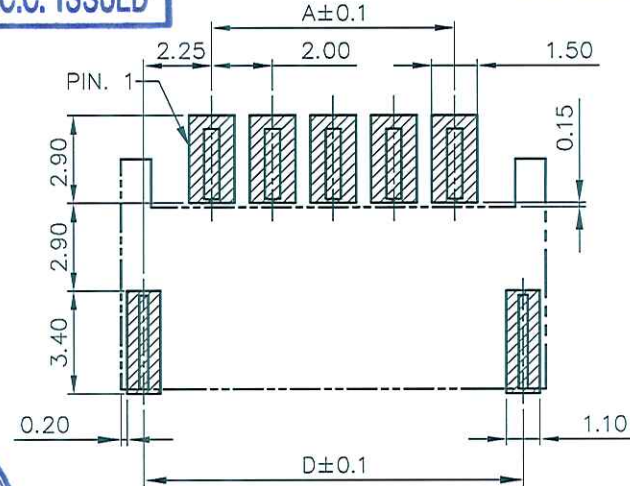
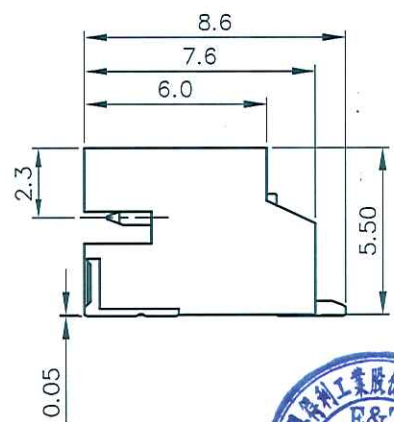
4509K: 2.0 WTB SMT R/A TYPE SINGLE ROW(HALOGEN FREE)

PIN.	A	B	C	D
02	2.00	8.00	5.00	6.50
03	4.00	10.00	7.00	8.50
04	6.00	12.00	9.00	10.50
05	8.00	14.00	11.00	12.50
06	10.00	16.00	13.00	14.50
07	12.00	18.00	15.00	16.50
08	14.00	20.00	17.00	18.50
09	16.00	22.00	19.00	20.50
10	18.00	24.00	21.00	22.50
11	20.00	26.00	23.00	24.50
12	22.00	28.00	25.00	26.50
13	24.00	30.00	27.00	28.50
14	26.00	32.00	29.00	30.50
15	28.00	34.00	31.00	32.50
16	30.00	36.00	33.00	34.50

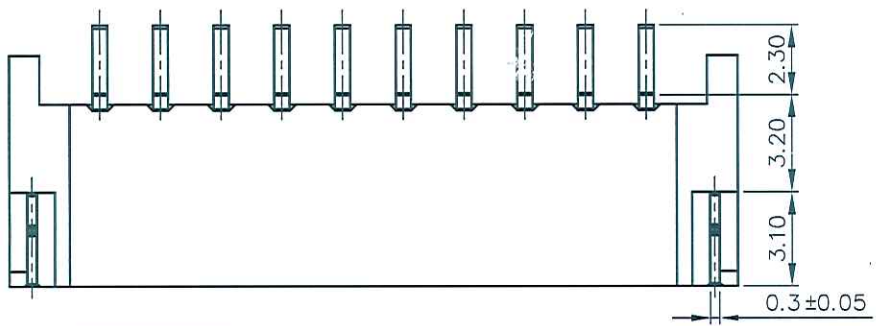
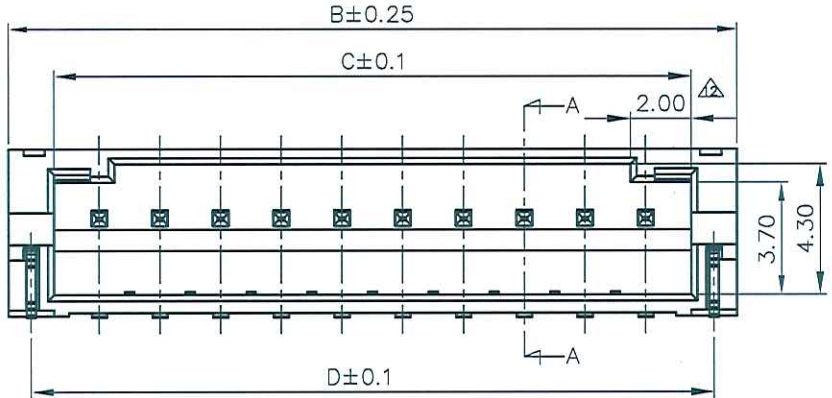
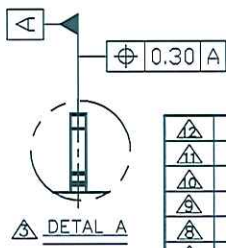


ENTERY INDUSTRIAL CO., LTD.  
MAY 20. 2015  
R&D D.C.C. ISSUED

SECTION A-A



RECOMMEND P.C.B LAYOUT  
TOLERANCE : ±0.05



SER	REVISIONS	CHK	DATE
REN150510	Juno	05/20/15	
RE201401007	JOSH	04/01/14	
RE201402002	Juno	02/13/14	
RE201210002	MAX	12/19/12	
RE201209014	JIMMY	09/14/12	
RE201209003	JIMMY	09/14/12	
REN110605	JIMMY	06/09/11	

CUSTOMER		恩得利工業股份有限公司 E&T ENTERY INDUSTRIAL CO., LTD.	
GENERAL TOLERANCE UNLESS OTHERWISE SPECIFIED	DRAWN Joan JAN-21-2008	PART NO. 4509K-XXXN-02,12X	
X.X ±0.30	CHECKED New J	TITLE: 2.0 WTB SMT R/A TYPE SINGLE ROW	
X.XX ±0.20	APPROVED DL 5/20/15	SHEET 1/1	
X.XXX ±0.15		UNIT MM	SCALE 4:1
ANG. ±0.30'		SIZE A4	REV L