

NOTES: MATERIAL & FINISH

1.INSULATOR:HIGH TEMP THERMOPLASTIC UL94V-0, NATURAL.

2.CONTACT: COPPER ALLOY

PLATING:(MATTE)TIN OVERALL NICKEL UNDER PLATED.

3.ORDER INFORMATION:4510K-X XX X-01,21 X

PACKING:

R: PLASTIC REEL

L: PAPER REEL

E: TUBE

TYPE: 01: STANDARD

21: CARRIER SPECIAL

C: CAP
Y: CAP&PRINTING DATA CODE

PIN NO.

PLATED:

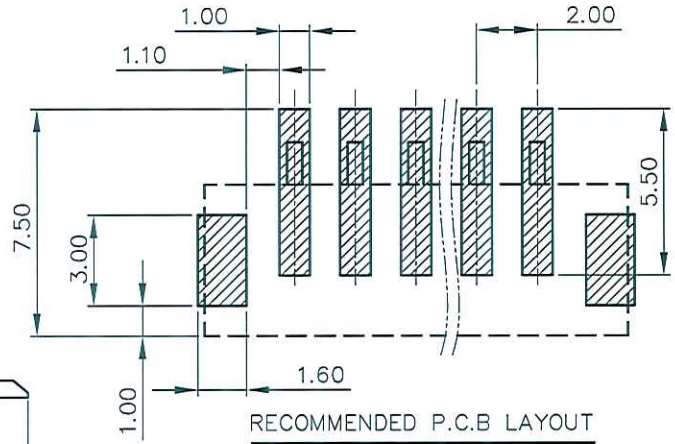
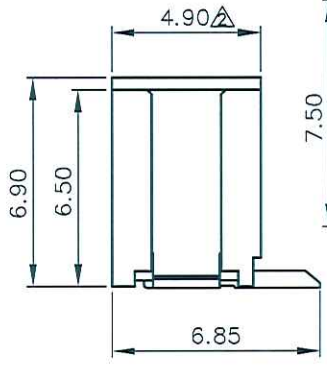
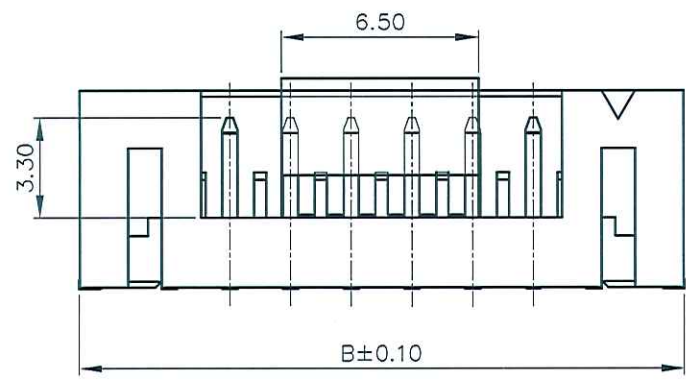
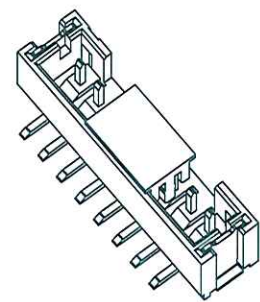
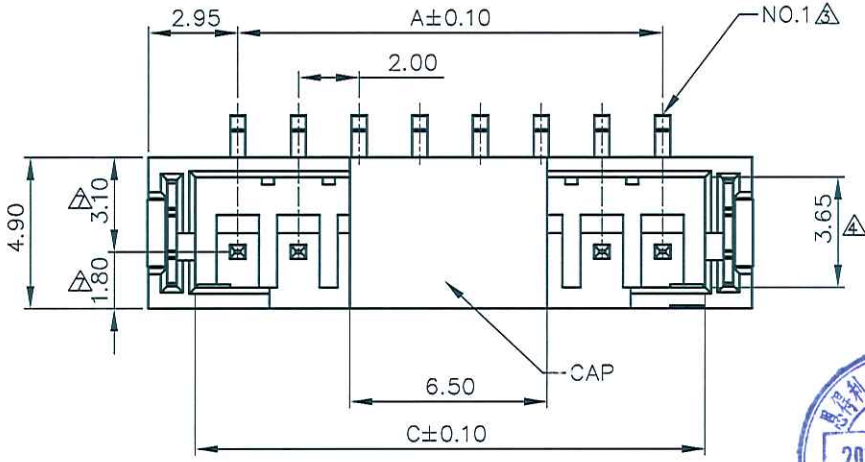
E: TIN-SEMI-BRIGHT CONTACT

100u"~160u", FITTING NAIL

40u"~50u" TIN WITH NICKEL INTERFACE

Q: 100u"~160u" MATTE-TIN

4510K: 2.0 WTB SMT V/T TYPE SINGLE ROW



PIN NO.	HALOGEN FREE		
	A	B	C
02	2.00	7.90	4.80
03	4.00	9.90	6.80
04	6.00	11.90	8.80
05	8.00	13.90	10.80
06	10.00	15.90	12.80
07	12.00	17.90	14.80
08	14.00	19.90	16.80
09	16.00	21.90	18.80
10	18.00	23.90	20.80
11	20.00	25.90	22.80
12	22.00	27.90	24.80
13	24.00	29.90	26.80
14	26.00	31.90	28.80
15	28.00	33.90	30.80
16	30.00	35.90	32.80

ENTERY INDUSTRIAL CO., LTD.
JAN - 9. 2015
R&D D.C.C. ISSUED

CUSTOMER		E&T 恩得利工業股份有限公司 ENTERY INDUSTRIAL CO., LTD.	
DRAWN Tommy Oct-12-2005 CHECKED APPROVED SHEET 1/1	PART NO. 4510K-XXXX-01,21X TITLE: 2.0 WAFER SMT V/T TYPE	GENERAL TOLERANCE UNLESS OTHERWISE SPECIFIED X.X ±0.25 X.XX ±0.13 X.XXX ±0.30'	UNIT MM SCALE 1:4 SIZE A4 REV O

SER	REVISIONS	CHK	DATE
REN141213	Juno	12/31/14	
RE201401007	Ceres	06/03/14	
RE201208014	MAX	12/19/12	
RE201209003	JIMMY	09/14/12	
RE201201024	KAZ	04/20/12	
REN110607	KAZ	06/15/11	