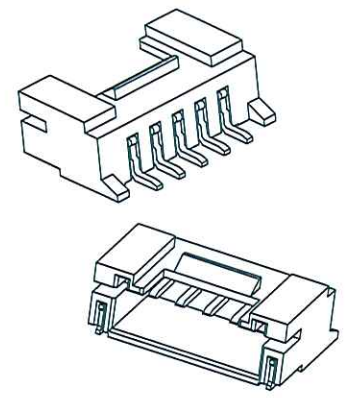


NOTES: MATERIAL & FINISH
 1.INSULATOR:HIGH-TEMP THERMOPLASTIC, UL94V-0
 COLOR:NATURAL OR BLACK
 △ 2.CONTACT: COPPER ALLOY
 PLATING: TIN OR MATTE-TIN OR GOLD FLASH PLATED
 OVERALL 50u"~100u" NICKEL
 △ 3.ORDER INFORMATION: 4530K-X XX N-00,01 X



PACKING
 E: TUBE
 R: PLASTIC REEL
 L: PAPER REEL △

TYPE
 00: NATURAL
 01: BLACK

STANDARD
 PIN NO.

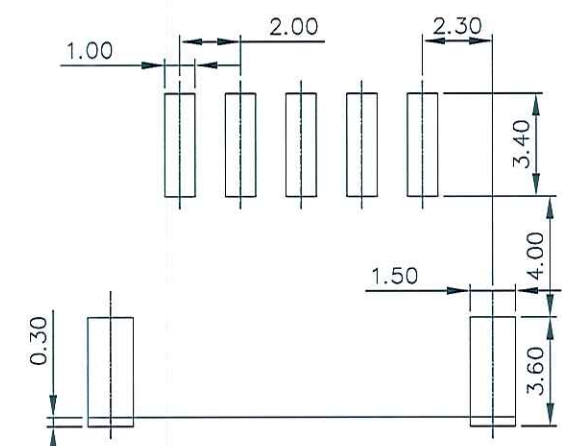
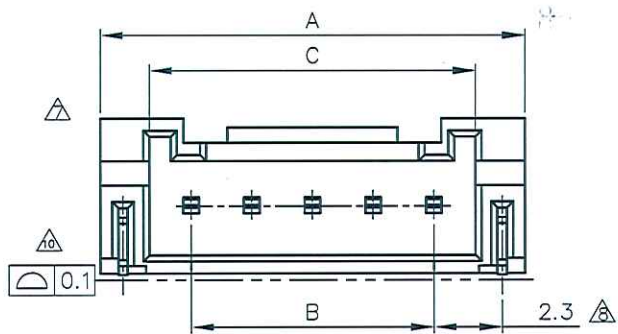
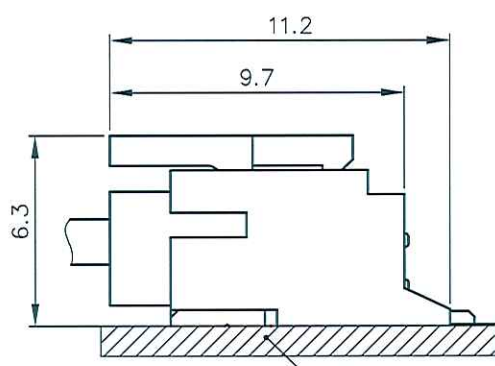
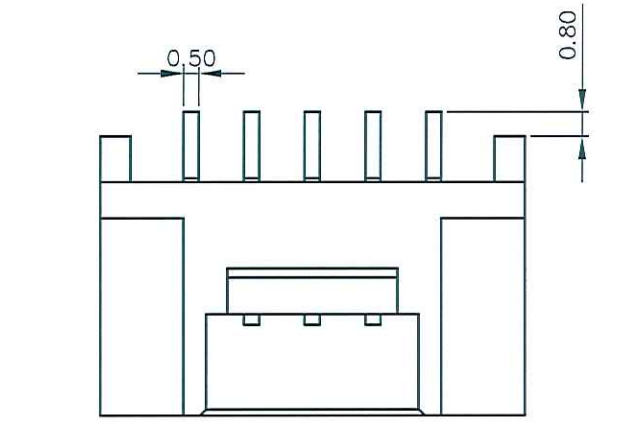
PLATED
 E: 100u"~160u" TIN
 Q: 100u"~160u" MATTE-TIN

△ Y: GOLD FLASH (WITH NICKEL BARRIER)

4530K: 2.0 WTBSMT R/A TYPE CONNECTOR
 (HALOGEN FREE) CONNECTOR



PIN NO.	A	B	C
02	8.00	2.00	4.75
03	10.00	4.00	6.75
04	12.00	6.00	8.75
05	14.00	8.00	10.75
06	16.00	10.00	12.75
07	18.00	12.00	14.75
08	20.00	14.00	16.75
09	22.00	16.00	18.75
10	24.00	18.00	20.75
11	26.00	20.00	22.75
12	28.00	22.00	24.75
13	30.00	24.00	26.75
14	32.00	26.00	28.75
15	34.00	28.00	30.75



RECOMMENDED P.C.B. LAYOUT

△	REVISIONS	CHK	DATE
△	REN150408	Juno	04/28/15
△	REN141011	Juno	10/31/14
△	REN140713	Juno	07/21/14
△	REN130504	Juno	05/08/13
△	REN130108	Juno	01/16/13
5	REN130108	Juno	01/16/13

CUSTOMER 恩得利工業股份有限公司
 E&T ENTERY INDUSTRIAL CO., LTD.

DRAWN *John* SEP-13-2006
 CHECKED
 APPROVED *[Signature]* 2015
 SHEET 1/1

PART NO. △ 4530K-XXXN-00,01X
 TITLE: 2.0 WTBSMT R/A TYPE CONNECTOR

UNIT MM SCALE 5:1 SIZE A4 REV 1