

NOTES: MATERIAL & FINISH

- 1.INSULATOR:HIGH-TEMP THERMOPLASTIC, UL94V-0  
COLOR:NATURAL
- 2.CONTACT:COPPER ALLOY  
PLATING:TIN PLATED OVERALL NICKEL

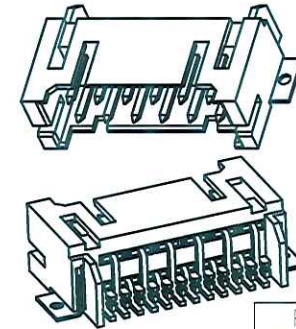
△3.ORDER INFORMATION: 4531K-X XX N-00 X

PACKING  
R: CARRIER  
E: TUBE

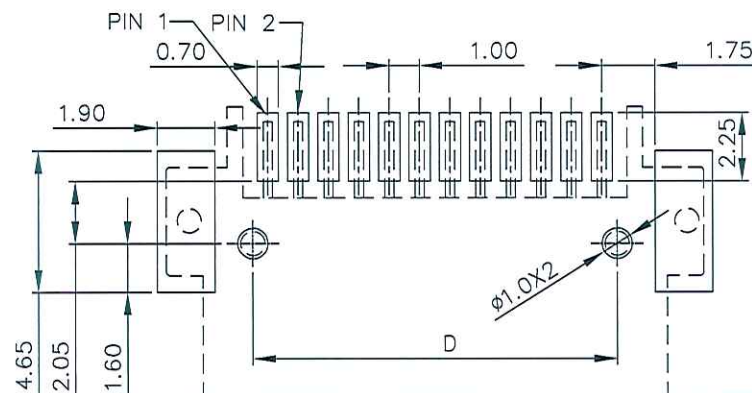
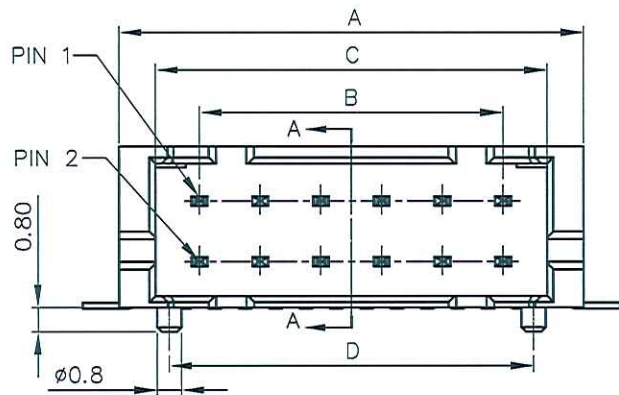
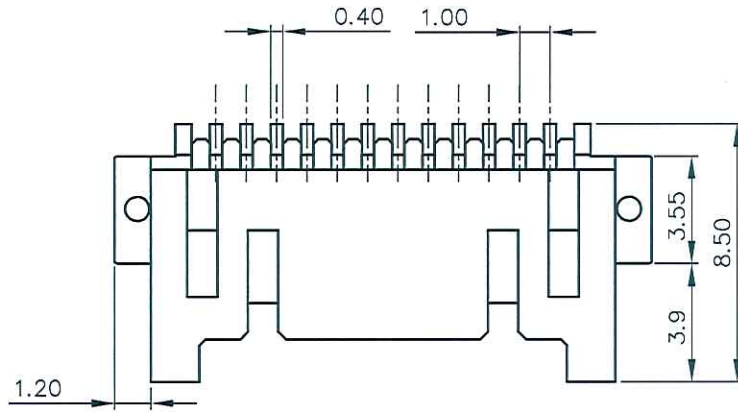
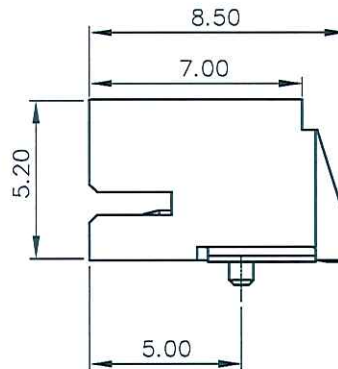
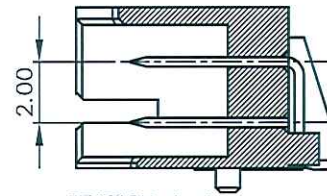
TYPE  
STANDARD  
PIN NO.

PLATED  
E: 100u"~160u" TIN  
Q: 100u"~160u" MATTE-TIN

2.0 WT B SMT R/A TYPE  
CONNECTOR (HALOGEN-FREE)



SECTION A-A



RECOMMENDED P.C.B. LAYOUT



ENTERY INDUSTRIAL CO., LTD.  
JUN - 4. 2014  
R&D D.C.C. ISSUED

PIN	A	B	C	D
06	9.3	4.0	6.9	6.0
08	11.3	6.0	8.9	8.0
10	13.3	8.0	10.9	10.0
12	15.3	10.0	12.9	12.0
14	17.3	12.0	14.9	14.0
16	19.3	14.0	16.9	16.0
18	21.3	16.0	18.9	18.0
20	23.3	18.0	20.9	20.0
22	25.3	20.0	22.9	22.0
24	27.3	22.0	24.9	24.0
26	29.3	24.0	26.9	26.0
28	31.3	26.0	28.9	28.0
30	33.3	28.0	30.9	30.0
32	35.3	30.0	32.9	32.0

CUSTOMER		恩得利工業股份有限公司 ENTERY INDUSTRIAL CO., LTD.	
GENERAL TOLERANCE UNLESS OTHERWISE SPECIFIED X.X ±0.30 X.XX ±0.20 X.XXX ±0.10 ANG. ±1°		DRAWN John OCT-31-2006 CHECKED APPROVED SHEET 1/1	PART NO. △ 4531K-XXXN-00X TITLE: 2.0 WT B SMT R/A TYPE CONNECTOR
REVISIONS SER	MAX CHK	12/22/12* DATE	UNIT SCALE SIZE REV MM 5:1 A4 B