

NOTES:

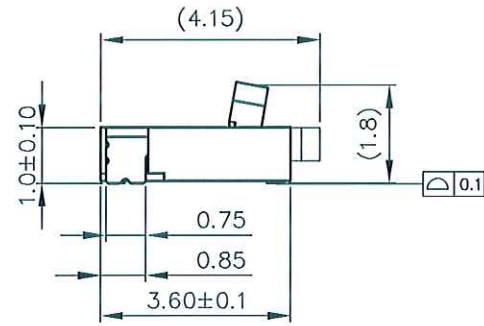
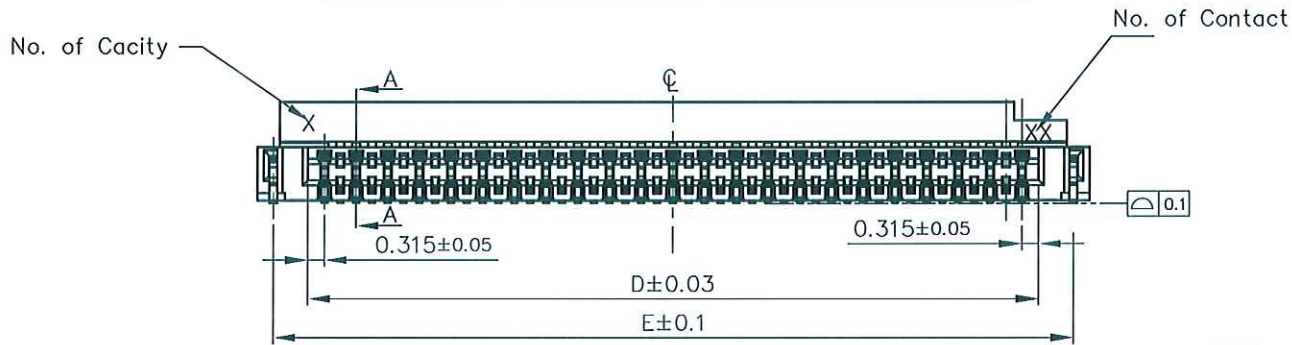
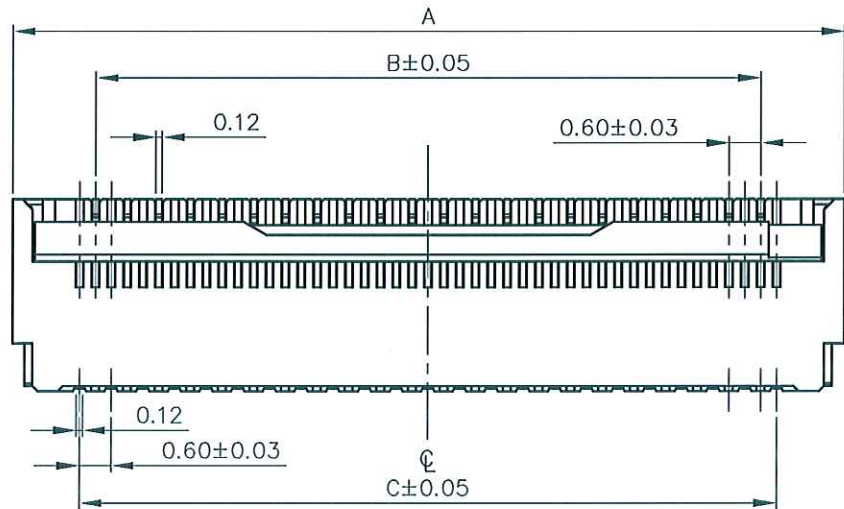
1. HOUSING: HIGH-TEMP THERMOPLASTIC UL94V-0, COLOR: NATURE
2. ACTUATOR: HIGH-TEMP THERMOPLASTIC UL94V-0, COLOR: BLACK
3. TERMINAL: COPPER ALLOY  
PLATING: GOLD FLASH PLATED
4. FITTING NAIL: COPPER ALLOY  
PLATING: MATTE-TIN PLATED

5. USING ENTRY'S LEVEL A ENVIRONMENTAL MATERIAL IS PROHIBITED  
 6. ORDER INFORMATION: 6604K - Y XX N-03,23 X

PACKING: E: TUBE  
 R: PLATIC CARRIER  
 L: PAPER CARRIER

STANDARD  
 PIN NO.  
 PLATING: Y: GOLD FLASH ON  $\Delta$  CONTACT, & SOLDERING AREA OVERALL  
 50~100u" NICKEL UNDER PLATED.

0.3 ZIF FPC SMT R/A B.F.A (HOLOGEN FREE)



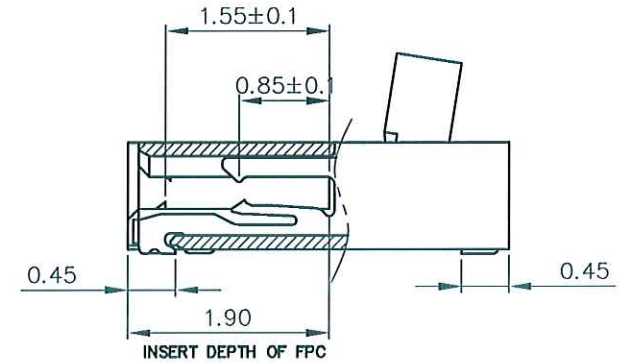
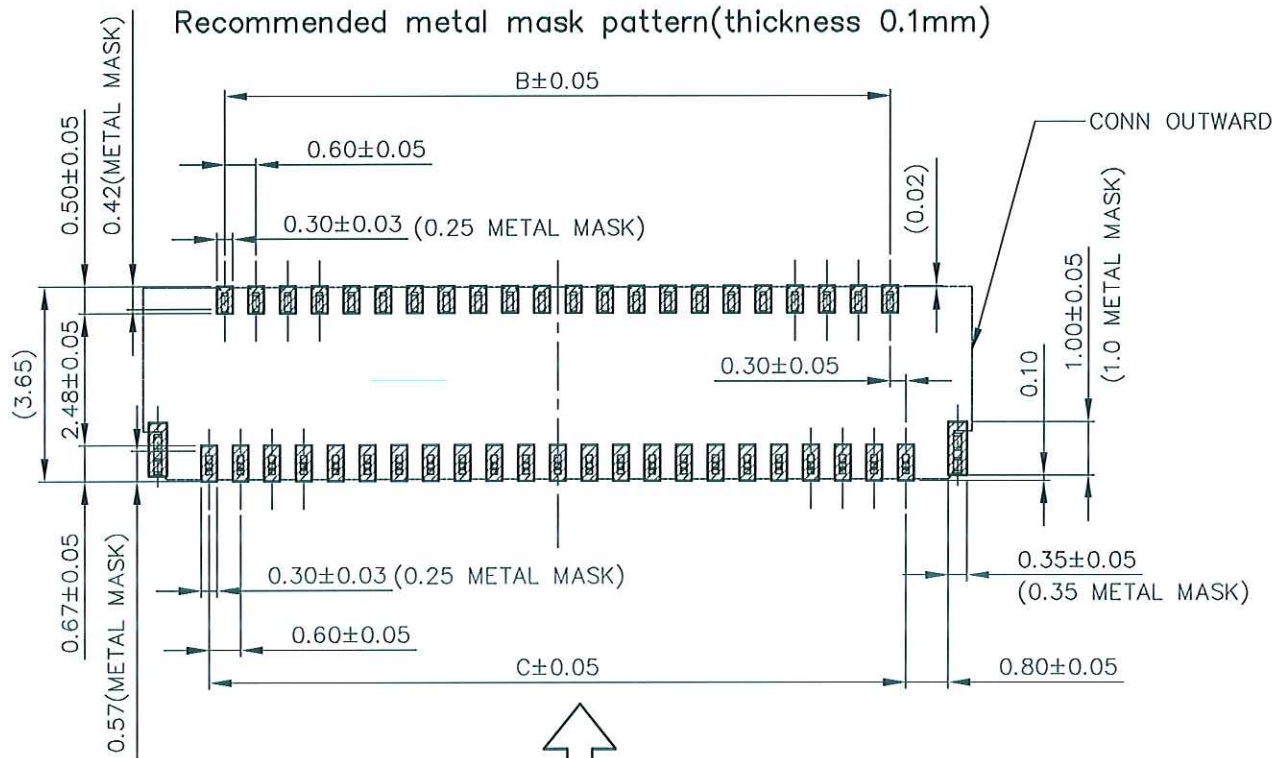
PIN NO.	A	B	C	D	E	F
9	4.90	1.80	2.40	3.03	4.35	3.00
11	5.50	2.40	3.00	3.63	4.95	3.60
13	6.10	3.00	3.60	4.23	5.55	4.20
15	6.70	3.60	4.20	4.83	6.15	4.80
17	7.30	4.20	4.80	5.43	6.75	5.40
19	7.90	4.80	5.40	6.03	7.35	6.00
21	8.50	5.40	6.00	6.63	7.95	6.60
23	9.10	6.00	6.60	7.23	8.55	7.20
25	9.70	6.60	7.20	7.83	9.15	7.80
27	10.30	7.20	7.80	8.43	9.75	8.40
29	10.90	7.80	8.40	9.03	10.35	9.00
31	11.50	8.40	9.00	9.63	10.95	9.60
33	12.10	9.00	9.60	10.23	11.55	10.20
35	12.70	9.60	10.20	10.83	12.15	10.80
37	13.30	10.20	10.80	11.43	12.75	11.40
39	13.90	10.80	11.40	12.03	13.35	12.00
41	14.50	11.40	12.00	12.63	13.95	12.60
43	15.10	12.00	12.60	13.23	14.55	13.20
45	15.70	12.60	13.20	13.83	15.15	13.80
51	17.50	14.40	15.00	15.63	16.95	15.60
61	20.50	17.40	18.00	18.63	19.95	18.60
67	22.30	19.20	19.80	20.43	21.75	20.40

ENTERY INDUSTRIAL CO., LTD.  
 APR - 8. 2014  
 R&D D.C.C. ISSUED



SER	REVISIONS	CHK	DATE
$\Delta$	RE201403004	NEIL	03/27/14
$\Delta$	RE201401007	Juno	03/06/14
$\Delta$	RE201312015	Juno	12/16/13
$\Delta$	RE201312002	Juno	12/16/13
$\Delta$	RE201310021	Josh	12/12/13
$\Delta$	RE201311006	CHK	11/13/13

<b>CUSTOMER</b>		恩得利工業股份有限公司 ENTERY INDUSTRIAL CO., LTD.	
GENERAL TOLERANCE UNLESS OTHERWISE SPECIFIED X.X ±0.25 X.XX ±0.15 X.XXX ±0.1 ANG. ±3°		DRAWN <b>JIMMY JUN-01-2012</b> CHECKED APPROVED SHEET 1/3	PART NO. 6604K-YXXN-03,23X TITLE: 0.3mm Pitch FPC(H1.0) Back-Flip Actuator
REVISIONS DATE		UNIT MM SCALE 7:1 SIZE A4 REV H	

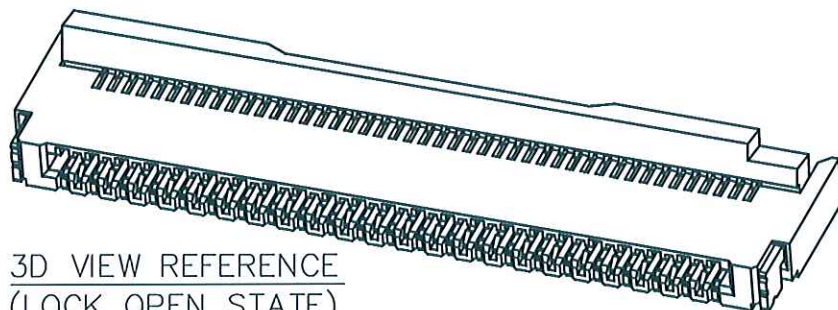


SECTION A-A  
(SCALE 14:1)

FPC/FFC INSERT DIRECTION  
PCB LAYOUT



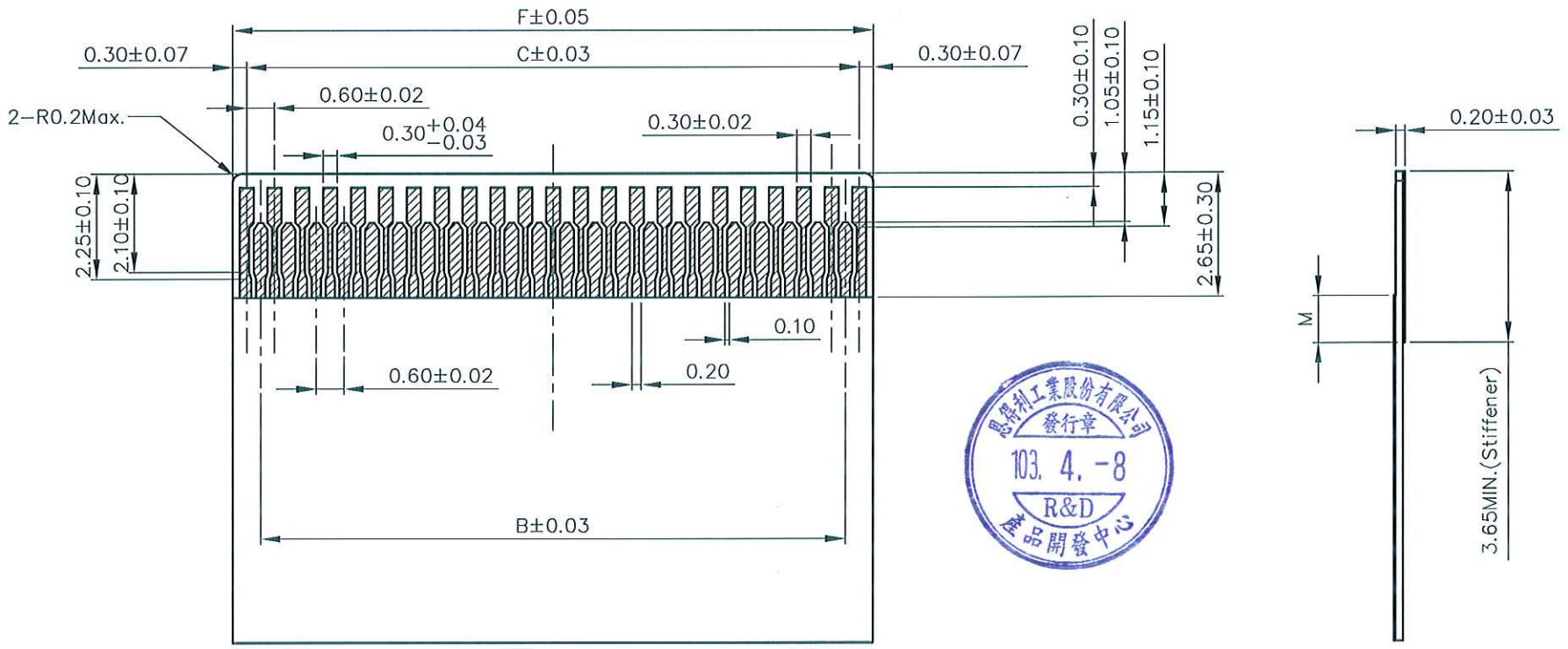
ENTRY INDUSTRIAL CO., LTD.  
APR - 8. 2014  
R&D D.C.C. ISSUED



3D VIEW REFERENCE  
(LOCK OPEN STATE)

RE201403004	NEIL	03/27/14
RE201401007	Juno	03/06/14
RE201312015	Juno	12/18/13
RE201312002	Juno	12/16/13
RE201310021	Josh	12/12/13
RE201311006	Juno	11/13/13
SER	REVISIONS	CHK DATE

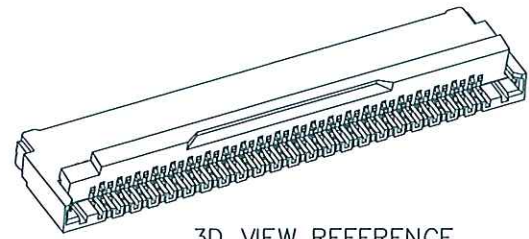
CUSTOMER	恩得利工業股份有限公司 ENTRY INDUSTRIAL CO., LTD.	
GENERAL TOLERANCE UNLESS OTHERWISE SPECIFIED X.X ±0.25 X.XX ±0.15 X.XXX ±0.1 ANG. ±3°	DRAWN <b>JIMMY APR-02-2012</b> CHECKED APPROVED <i>[Signature]</i> SHEET 2/3	PART NO. 6604K-YXXN-03,23X TITLE: 0.3mm Pitch FPC(H1.0) Back-Flip Actuator(WIDE TYPE)
	UNIT MM	SCALE 7:1
	SIZE A4	REV H



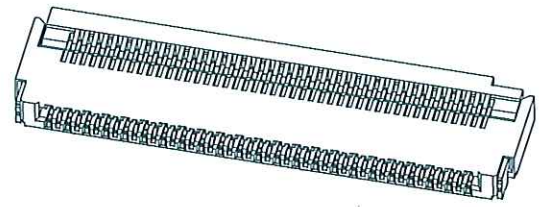
Applicable FPC

\* Dimension M must be 0.5mm min.  
When the stiffener is shorter than 3.65mm.

ENTERY INDUSTRIAL CO., LTD.  
APR - 8. 2014  
R&D D.C.C. ISSUED



3D VIEW REFERENCE  
(LOCK OPEN STATE)



3D VIEW REFERENCE  
(LOCK CLOSE STATE)

SER	REVISIONS	CHK	DATE
△	RE201403004	NEIL	03/27/14
△	RE201401007	Juno	03/06/14
△	RE201312015	Juno	12/16/13
△	RE201312002	Juno	12/16/13
△	RE201310021	Josh	12/12/13
△	RE201311006	Juno	11/13/13

<b>CUSTOMER</b>		恩得利工業股份有限公司 ENTERY INDUSTRIAL CO., LTD.	
GENERAL TOLERANCE UNLESS OTHERWISE SPECIFIED X.X ±0.25 X.XX ±0.15 X.XXX ±0.10 ANG. ±3°		DRAWN <b>JIMMY APR-02-2012</b> CHECKED APPROVED <i>[Signature]</i> SHEET 3/3	PART NO. △6604K-YXXN-03,23X TITLE: 0.3mm Pitch FPC(H1.0) Back-Flip Actuator(WIDE TYPE)
UNIT	SCALE	SIZE	REV
MM	7:1	A4	H