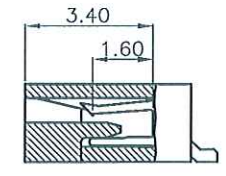
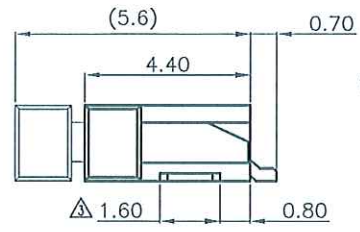
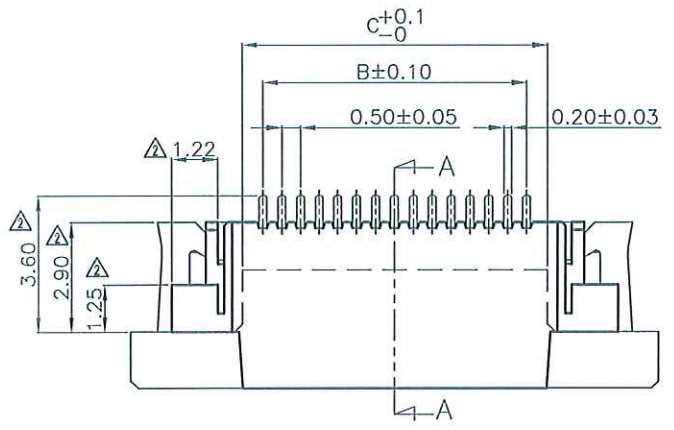
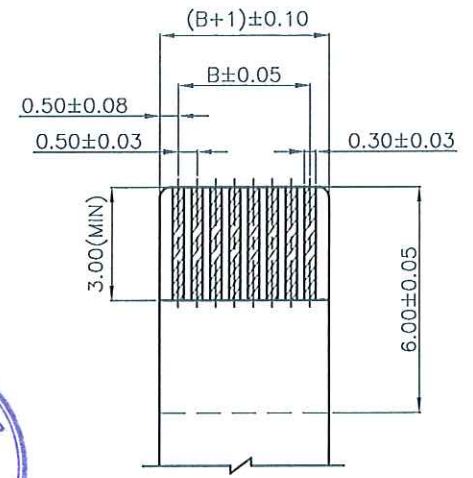


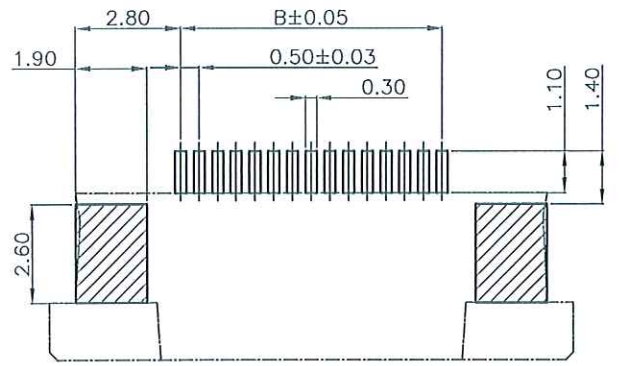
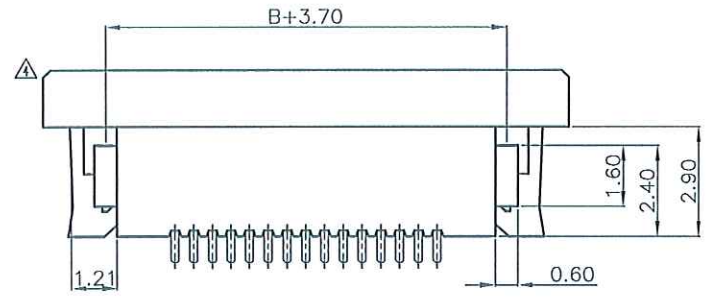
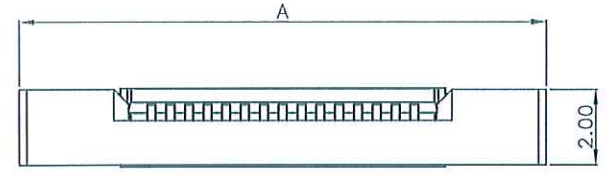
NOTES: MATERIAL & FINISH  
 1.HOUSING:HIGH THERMOPLASTIC, UL94V-0  
 COLOR:BLACK  
 2.LOCK:HIGH THERMOPLASTIC, UL94V-0  
 COLOR: WHITE  
 3.CONTACT: COPPER ALLOY  
 PLATING:GOLD FLASH OR TIN OVERALL NICKEL UNDER PLATED  
 4.FITTING NAIL: COPPER ALLOY  
 PLATING: TIN PLATED  
 5.ORDER INFORMATION: 6701K-X XX N-08X  
 PACKING: E: TUBE  
 R: CARRIER REEL  
 STANDARD  
 PIN  
 PLATING: E: TIN  
 F: GOLD FLASH  
 Q: CONTACT MATTE-TIN  
 FITTING NAIL TIN  
 ΔY: GOLD FLASH (WITH NICKEL BARRIER)  
 6701K:0.5 ZIF FPC SMT R/A TYPE TOP CONTACT  
 (HALOGEN FREE)



SECTION A-A



RECOMMENDED APPLICABLE  
 FPC LAYOUT (THICKNESS:0.30±0.03)



RECOMMENDED P.C.BOARD PATTERN DIM.(REF)

PIN	A	B	C
04	8.50	1.50	2.60
05	9.00	2.00	3.10
06	9.50	2.50	3.60
07	10.00	3.00	4.10
08	10.50	3.50	4.60
09	11.00	4.00	5.10
10	11.50	4.50	5.60
11	12.00	5.00	6.10
12	12.50	5.50	6.60
13	13.00	6.00	7.10
14	13.50	6.50	7.60
15	14.00	7.00	8.10
16	14.50	7.50	8.60
17	15.00	8.00	9.10
18	15.50	8.50	9.60
19	16.00	9.00	10.10
20	16.50	9.50	10.60
21	17.00	10.00	11.10
22	17.50	10.50	11.60
23	18.00	11.00	12.10
24	18.50	11.50	12.60
25	19.00	12.00	13.10
26	19.50	12.50	13.60
27	20.00	13.00	14.10
28	20.50	13.50	14.60
29	21.00	14.00	15.10
30	21.50	14.50	15.60
31	22.00	15.00	16.10
32	22.50	15.50	16.60
33	23.00	16.00	17.10
34	23.50	16.50	17.60
35	24.00	17.00	18.10
36	24.50	17.50	18.60
37	25.00	18.00	19.10
38	25.50	18.50	19.60
39	26.00	19.00	20.10
40	26.50	19.50	20.60
41	27.00	20.00	21.10
42	27.50	20.50	21.60
43	28.00	21.00	22.10
44	28.50	21.50	22.60
45	29.00	22.00	23.10
46	29.50	22.50	23.60
47	30.00	23.00	24.10
48	30.50	23.50	24.60
49	31.00	24.00	25.10
50	31.50	24.50	25.60
51	32.00	25.00	26.10
52	32.50	25.50	26.60
53	33.00	26.00	27.10
54	33.50	26.50	27.60
55	34.00	27.00	28.10
56	34.50	27.50	28.60
57	35.00	28.00	29.10
58	35.50	28.50	29.60
59	36.00	29.00	30.10
60	36.50	29.50	30.60
61	37.00	30.00	31.10



ENTERY INDUSTRIAL CO., LTD.  
 JAN 17. 2013  
 R&D D.C.C. ISSUED

CUSTOMER		恩得利工業股份有限公司 ENTERY INDUSTRIAL CO., LTD.	
DRAWN		Juno JAN-29-2008 CHECKED	
PART NO.		6701K-XXXN-08X	
TITLE:		0.5 ZIF FPC SMT R/A TYPE TOP CONTACT	
APPROVED		4/8/13	
SHEET		UNIT SCALE SIZE REV MM 5:1 A4 F	

SER	REVISIONS	CHK	DATE
△	RE201206014	JIMMY	12/18/12
△	REN110519	JIMMY	05/25/11
△	REN110518	JIMMY	05/24/11
△	REN110516	JIMMY	05/23/11
△	RE201102011	Jean	03/03/11

GENERAL TOLERANCE  
 UNLESS OTHERWISE SPECIFIED  
 X.X ±0.30  
 X.XX ±0.20  
 X.XXX ±0.10  
 ANG. ±0°30'