

NOTES: MATERIAL & FINISH

1.HOUSING: HIGH THERMOPLASTIC, UL94V-0; COLOR: BLACK

2.LOCK: HIGH THERMOPLASTIC, UL94V-0; COLOR: NATURE

3.CONTACT: COPPER ALLOY

PLATING: GOLD FLASH OR TIN OVERALL NICKEL UNDER PLATED

4.FITTING NAIL: COPPER ALLOY

PLATING: TIN PLATED

△ 5.ORDER INFORMATION:

6702K-^{*}XX N-06,26 X

PACKING: E: TUBE
R: PLASTIC REEL
△L: PAPER REEL

06: STANDARD

26: CARRIER DIFFERENT △

STANDARD

PIN

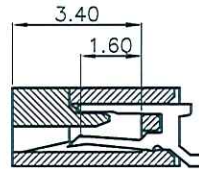
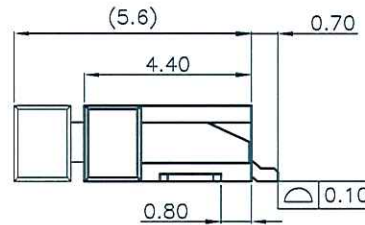
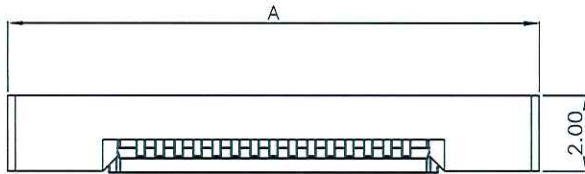
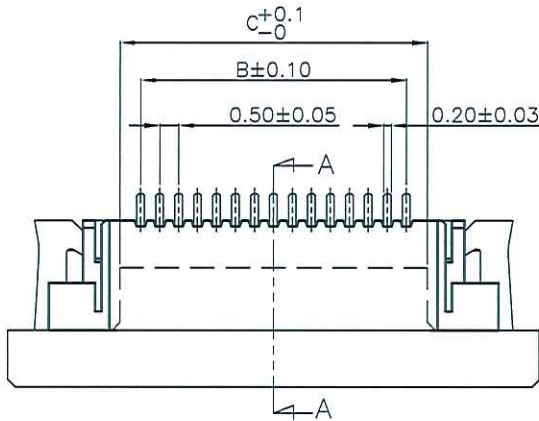
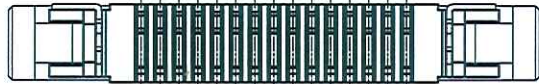
PLATING: E: TIN

F: GOLD FLASH

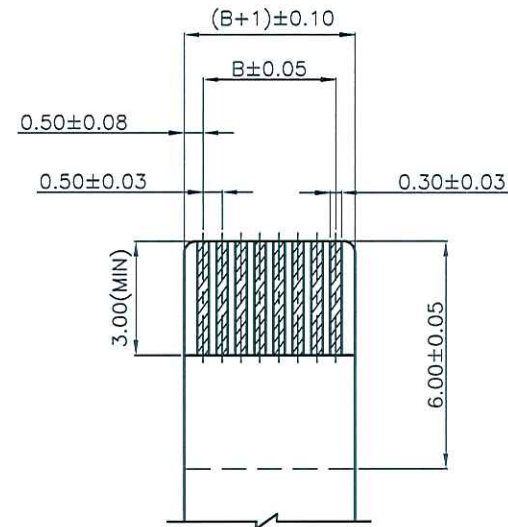
△Y: GOLD FLASH

(WITH NICKEL BARRIER)

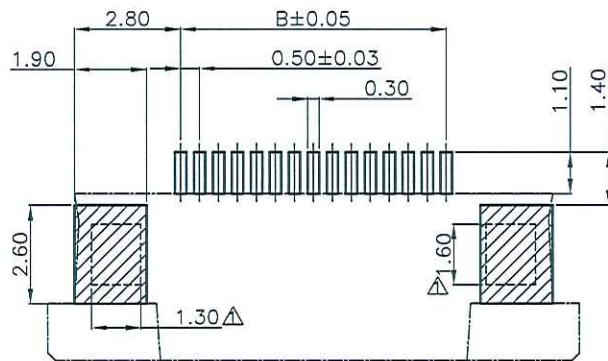
△6702K:0.5 ZIF FPC SMT R/A BOTTOM CONTACT
(HALOGEN FREE)



SECTION A-A



RECOMMENDED APPLICABLE
FPC LAYOUT (THICKNESS:0.30±0.03)



RECOMMENDED P.C.BOARD PATTERN DIM.(REF)

ENTERY INDUSTRIAL CO., LTD.
MAY 16, 2013
R&D D.C.C. ISSUED

PIN	A	B	C
04	8.50	1.50	2.60
05	9.00	2.00	3.10
06	9.50	2.50	3.60
07	10.00	3.00	4.10
08	10.50	3.50	4.60
09	11.00	4.00	5.10
10	11.50	4.50	5.60
11	12.00	5.00	6.10
12	12.50	5.50	6.60
13	13.00	6.00	7.10
14	13.50	6.50	7.60
15	14.00	7.00	8.10
16	14.50	7.50	8.60
17	15.00	8.00	9.10
18	15.50	8.50	9.60
19	16.00	9.00	10.10
20	16.50	9.50	10.60
21	17.00	10.00	11.10
22	17.50	10.50	11.60
23	18.00	11.00	12.10
24	18.50	11.50	12.60
25	19.00	12.00	13.10
26	19.50	12.50	13.60
27	20.00	13.00	14.10
28	20.50	13.50	14.60
29	21.00	14.00	15.10
30	21.50	14.50	15.60
31	22.00	15.00	16.10
32	22.50	15.50	16.60
33	23.00	16.00	17.10
34	23.50	16.50	17.60
35	24.00	17.00	18.10
36	24.50	17.50	18.60
37	25.00	18.00	19.10
38	25.50	18.50	19.60
39	26.00	19.00	20.10
40	26.50	19.50	20.60
41	27.00	20.00	21.10
42	27.50	20.50	21.60
43	28.00	21.00	22.10
44	28.50	21.50	22.60
45	29.00	22.00	23.10
46	29.50	22.50	23.60
47	30.00	23.00	24.10
48	30.50	23.50	24.60
49	31.00	24.00	25.10
50	31.50	24.50	25.60
51	32.00	25.00	26.10
52	32.50	25.50	26.60
53	33.00	26.00	27.10
54	33.50	26.50	27.60
55	34.00	27.00	28.10
56	34.50	27.50	28.60
57	35.00	28.00	29.10
58	35.50	28.50	29.60
59	36.00	29.00	30.10
60	36.50	29.50	30.60
61	37.00	30.00	31.10

REVISIONS	CHK	DATE
△	RE201305001	Jun0 05/07/13
△	REN130417	Jun0 04/30/13
△	RE201206014 RE201210002	JIMMY 12/18/12
△	REN120327	JIMMY 03/28/12
△	REN91111	HUNTER 11/17/09

CUSTOMER: 恩得利工業股份有限公司
ENTERY INDUSTRIAL CO., LTD.

GENERAL TOLERANCE UNLESS OTHERWISE SPECIFIED
X.X ±0.30
X.XX ±0.20
X.XXX ±0.10
ANG. ±0'30'

DRAWN: Juno JAN-29-2008
CHECKED: [Signature]
APPROVED: [Signature]
SHEET: [Signature]

PART NO. △△△
6702K-XXXN-06,26X
TITLE: 0.5 ZIF FPC SMT R/A BOTTOM CONTACT

UNIT: MM
SCALE: 5:1
SIZE: A4
REV: F