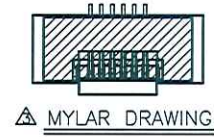
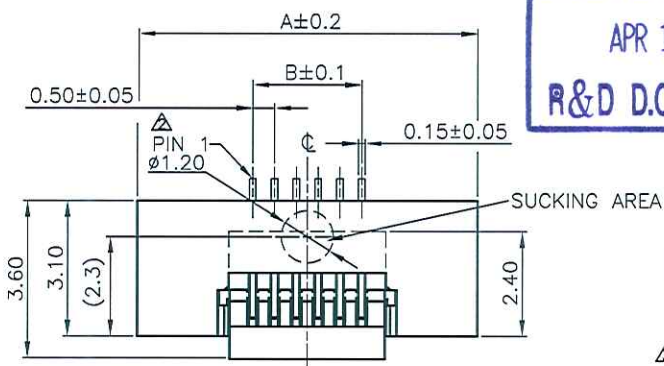
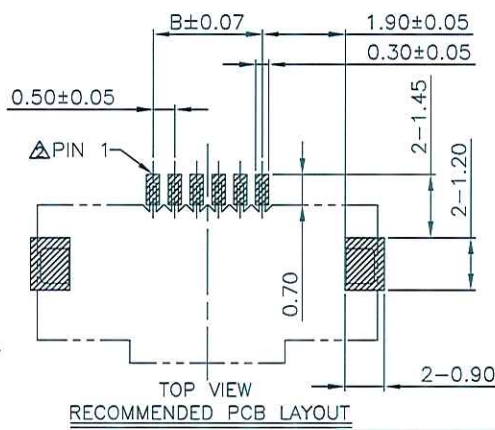
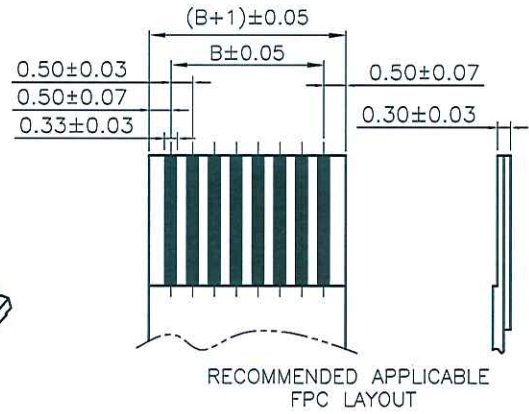
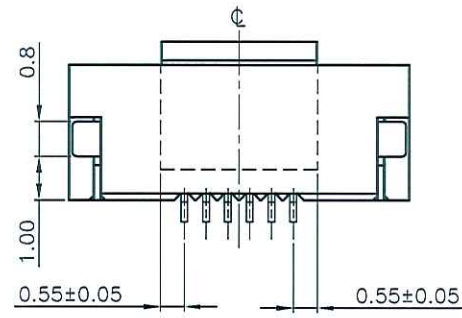
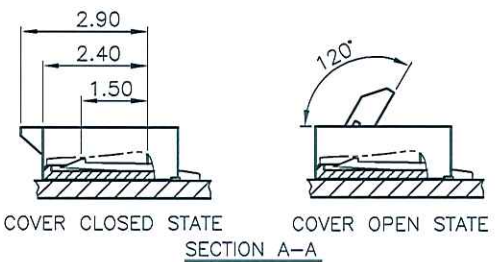
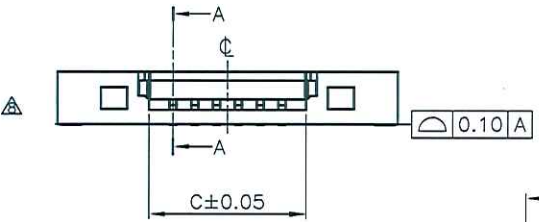


ENTERY INDUSTRIAL CO., LTD.
 APR 17, 2014
 R&D D.C.C. ISSUED

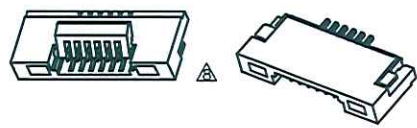
- NOTES: MATERIAL & FINISH
 1. HOUSING: HIGH-TEMP THERMOPLASTIC UL94V-0
 COLOR: NATURAL
 2. ACTUATOR: HIGH-TEMP THERMOPLASTIC UL94V-0
 COLOR: BLACK
 3. TERMINAL: COPPER ALLOY
 PLATING: TIN OR MATTE-TIN OR GOLD FLASH
 UNDER PLATED
 4. FITTING NAIL: COPPER ALLOY
 PLATING: TIN UNDER PLATED
 5. ORDER INFORMATION: 6706K-X XX X-02X



PACKING: E:TUBE
 R:PLASTIC REEL
 L:PAPER REEL
 N-STANDARD
 M:MYLAR
 PLATING: E: TIN
 Q: MATTE-TIN
 F: GOLD FLASH
 Y: HATCHES AREA PLATED 1u'(min)
 GOLD FLASH OVERALL 50u'~100u'
 NICKEL UNDER PLATED.
 6706K: 0.5 ZIF FPC SMT R/A BOTTOM TYPE
 (HALOGEN FREE)



PIN	A	B	C
04	6.8	1.50	2.60
05	7.3	2.00	3.10
06	7.8	2.50	3.60
07	8.3	3.00	4.10
08	8.8	3.50	4.60
09	9.3	4.00	5.10
10	9.8	4.50	5.60
11	10.3	5.00	6.10
12	10.8	5.50	6.60
13	11.3	6.00	7.10
14	11.8	6.50	7.60
15	12.3	7.00	8.10
16	12.8	7.50	8.60
17	13.3	8.00	9.10
18	13.8	8.50	9.60
19	14.3	9.00	10.10
20	14.8	9.50	10.60
21	15.3	10.00	11.10
22	15.8	10.50	11.60
23	16.3	11.00	12.10
24	16.8	11.50	12.60
25	17.3	12.00	13.10
26	17.8	12.50	13.60
27	18.3	13.00	14.10
28	18.8	13.50	14.60
29	19.3	14.00	15.10
30	19.8	14.50	15.60
31	20.3	15.00	16.10
32	20.8	15.50	16.60
33	21.3	16.00	17.10
34	21.8	16.50	17.60
35	22.3	17.00	18.10
36	22.8	17.50	18.60
37	23.3	18.00	19.10
38	23.8	18.50	19.60
39	24.3	19.00	20.10
40	24.8	19.50	20.60



CUSTOMER

恩得利工業股份有限公司
 ENTERY INDUSTRIAL CO., LTD.

SER	REVISIONS	CHK	DATE
△	RE201401007	Jumo	03/17/14
△	RE201208014	JIMMY	12/18/12
△	RE201211006	JIMMY	12/18/12
△	RE201208011	Jumo	08/16/12
△	RE201201012	Max	01/11/12
△	RE201107014	JIMMY	08/28/11

GENERAL TOLERANCE UNLESS OTHERWISE SPECIFIED
 X.X ±0.30
 X.XX ±0.20
 X.XXX
 ANG. ±3°

DRAWN John NOV-20-2006
 CHECKED
 APPROVED

PART NO. 6706K-XXXX-02X
 TITLE: 0.5 ZIF FPC SMT R/A TYPE BOTTOM CONTACT H=1.20

SHEET 1/1 UNIT MM SCALE 8:1 SIZE A4 REV L