

PIN NO.	A	B	C
10	8.00	4.50	6.55
12	9.00	5.55	7.55

NOTES: MATERIAL & FINISH

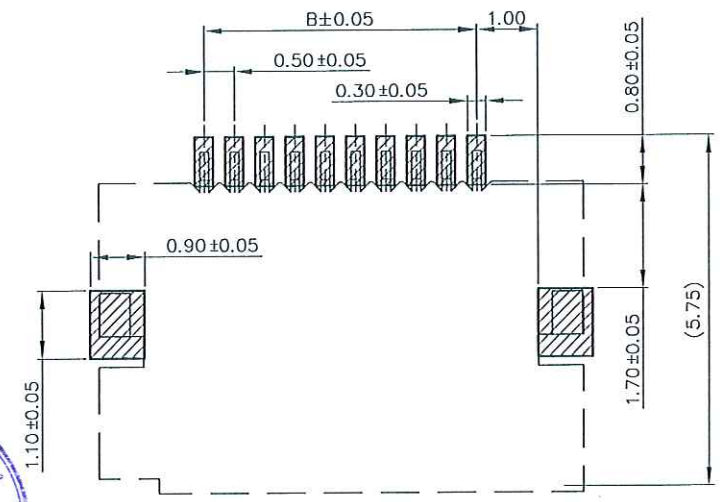
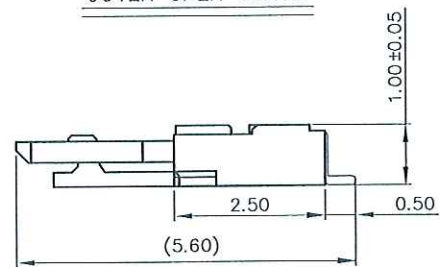
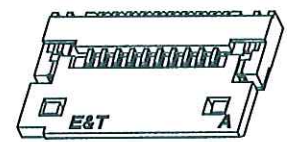
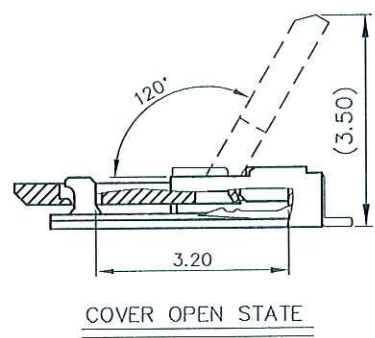
- HOUSING: HIGH-TEMP THERMOPLASTIC UL94V-0
COLOR: NATURE
- ACTUATOR: HIGH-TEMP THERMOPLASTIC UL94V-0
COLOR: BLACK
- TERMINAL: COPPER ALLOY
PLATING: GOLD FLASH PLATED
- FITTING NAIL: COPPER ALLOY
PLATING: TIN PLATED
- ORDER INFORMATION: 6709K- X XX N-00 X

PACKING: E: TUBE
L: PAPPER REEL

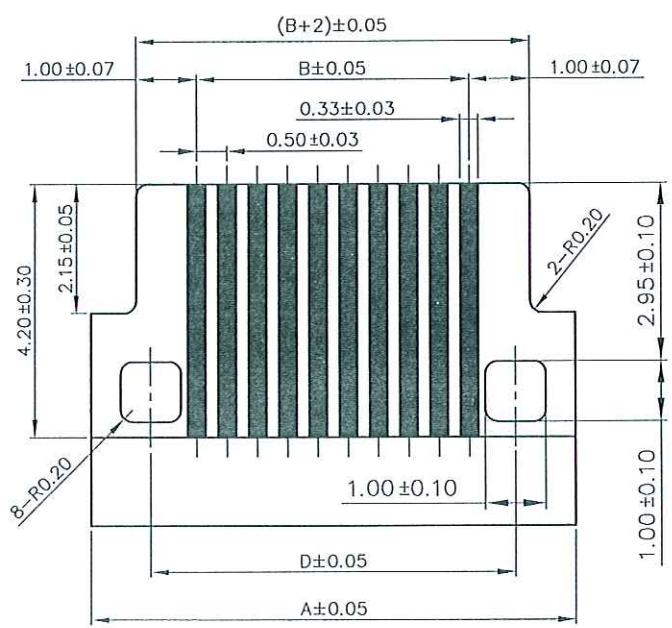
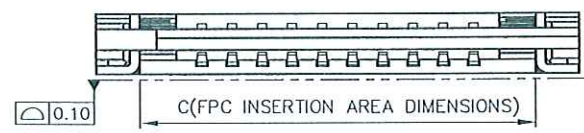
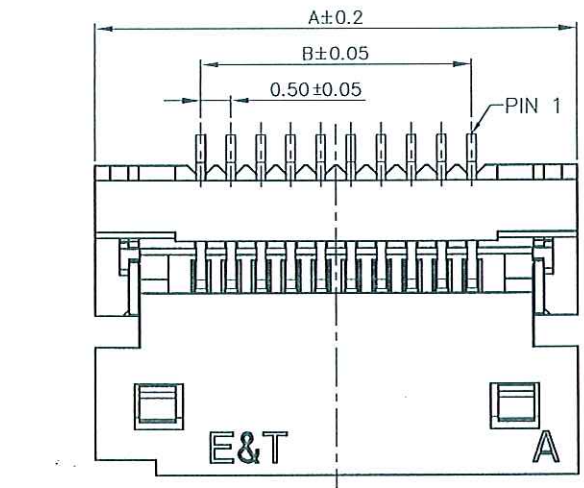
TYPE
STANDARD
PIN

PLATING: F: GOLD FLASH
Y: GOLD FLASH
(WITH NICKEL BARRIER)

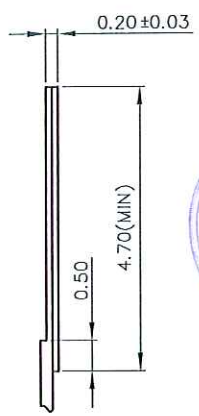
0.5 ZIF FPC SMT R/A B/C (HALOGEN FREE)



RECOMMENDED PCB LAYOUT



APPLICABLE FPC/FCC



CUSTOMER		恩得利工業股份有限公司 ENTERY INDUSTRIAL CO., LTD.	
GENERAL TOLERANCE UNLESS OTHERWISE SPECIFIED	DRAWN JOAN JUN-19-2009	PART NO. 6709K-XXXN-00X	
X.X ±0.30	CHECKED	TITLE: 0.5 ZIF FPC SMT R/A B/C	
X.XX ±0.25	APPROVED	SHEET 1/1	
X.XXX ±0.30'	ANG.	UNIT MM	SCALE 8:1
		SIZE A4	REV A

SER	REVISIONS	CHK	DATE