

NOTES: MATERIAL & FINISH
 1. HOUSING: HIGH-TEMP THERMOPLASTIC UL94V-0
 COLOR: BLACK
 2. ACTUATOR: HIGH-TEMP THERMOPLASTIC UL94V-0
 COLOR: CREAM
 3. TERMINAL: COPPER ALLOY
 PLATING: TIN OR GOLD-FLASH
 OR MATTE-TIN PLATED
 4. FITTING NAIL: COPPER ALLOY
 PLATING: TIN PLATED

5. ORDER INFORMATION: 6712K-X XX X-06,07 X

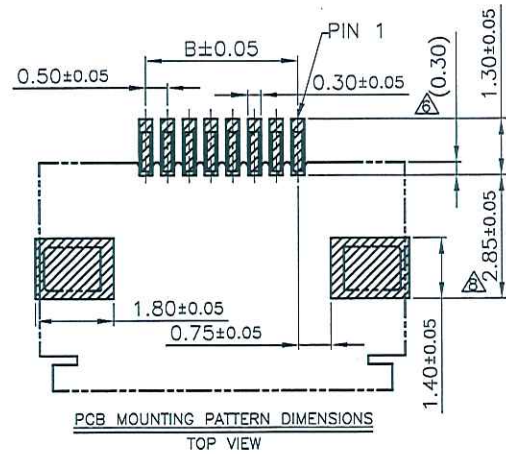
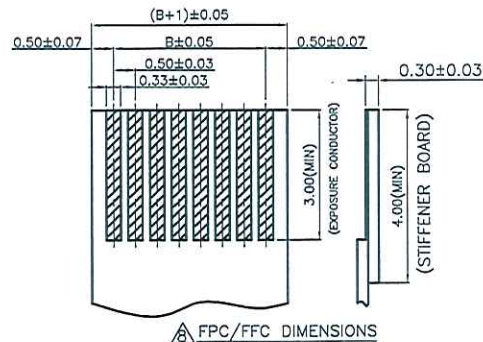
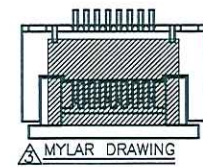
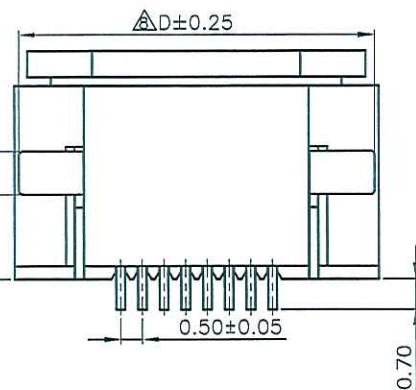
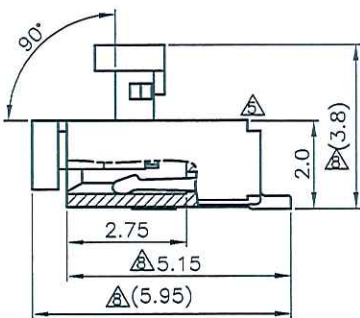
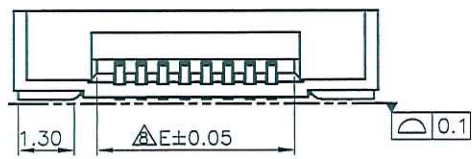
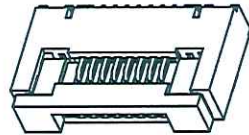
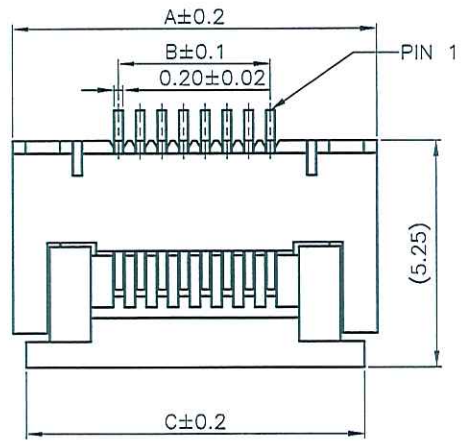
PACKING: E: TUBE
 R: PLASTIC REEL
 L: PAPER REEL

07 TYPE: STANDARD
 06 TYPE: 18,20,24 PIN CARRIER WIDTH 32

N: STANDARD
 M: MYLAR
 PIN NO.

PLATING: E: TIN
 Q: MATTE-TIN
 F: GOLD-FLASH
 Y AND V: GOLD FLASH (WITH NICKEL BARRIER)
 6712K: 0.5 ZIF FPC SMT R/A BOTTOM TYPE (HALOGEN FREE)

PIN	A	B	C	D	E
04	6.40	1.50	5.80	6.20	2.55
05	6.90	2.00	6.30	6.70	3.05
06	7.40	2.50	6.80	7.20	3.55
07	7.90	3.00	7.30	7.70	4.05
08	8.40	3.50	7.80	8.20	4.55
09	8.90	4.00	8.30	8.70	5.05
10	9.40	4.50	8.80	9.20	5.55
11	9.90	5.00	9.30	9.70	6.05
12	10.40	5.50	9.80	10.20	6.55
13	10.90	6.00	10.30	10.70	7.05
14	11.40	6.50	10.80	11.20	7.55
15	11.90	7.00	11.30	11.70	8.05
16	12.40	7.50	11.80	12.20	8.55
17	12.90	8.00	12.30	12.70	9.05
18	13.40	8.50	12.80	13.20	9.55
19	13.90	9.00	13.30	13.70	10.05
20	14.40	9.50	13.80	14.20	10.55
21	14.90	10.00	14.30	14.70	11.05
22	15.40	10.50	14.80	15.20	11.55
23	15.90	11.00	15.30	15.70	12.05
24	16.40	11.50	15.80	16.20	12.55
25	16.90	12.00	16.30	16.70	13.05
26	17.40	12.50	16.80	17.20	13.55
27	17.90	13.00	17.30	17.70	14.05
28	18.40	13.50	17.80	18.20	14.55
29	18.90	14.00	18.30	18.70	15.05
30	19.40	14.50	18.80	19.20	15.55
31	19.90	15.00	19.30	19.70	16.05
32	20.40	15.50	19.80	20.20	16.55
33	20.90	16.00	20.30	20.70	17.05
34	21.40	16.50	20.80	21.20	17.55
35	21.90	17.00	21.30	21.70	18.05
36	22.40	17.50	21.80	22.20	18.55
37	22.90	18.00	22.30	22.70	19.05
38	23.40	18.50	22.80	23.20	19.55
39	23.90	19.00	23.30	23.70	20.05
40	24.40	19.50	23.80	24.20	20.55
41	24.90	20.00	24.30	24.70	21.05
42	25.40	20.50	24.80	25.20	21.55
43	25.90	21.00	25.30	25.70	22.05
44	26.40	21.50	25.80	26.20	22.55
45	26.90	22.00	26.30	26.70	23.05
46	27.40	22.50	26.80	27.20	23.55
47	27.90	23.00	27.30	27.70	24.05
48	28.40	23.50	27.80	28.20	24.55
49	28.90	24.00	28.30	28.70	25.05
50	29.40	24.50	28.80	29.20	25.55
51	29.90	25.00	29.30	29.70	26.05
52	30.40	25.50	29.80	30.20	26.55
53	30.90	26.00	30.30	30.70	27.05
54	31.40	26.50	30.80	31.20	27.55
55	31.90	27.00	31.30	31.70	28.05
56	32.40	27.50	31.80	32.20	28.55
57	32.90	28.00	32.30	32.70	29.05
58	33.40	28.50	32.80	33.20	29.55
59	33.90	29.00	33.30	33.70	30.05
60	34.40	29.50	33.80	34.20	30.55



ENTERY INDUSTRIAL CO., LTD.
 MAR 26, 2013
 R&D D.C.C. ISSUED

CUSTOMER		恩得利工業股份有限公司 E & T ENTERY INDUSTRIAL CO., LTD.	
DRAWN	Max APR-29-2010	PART NO.	6712K-XXXX-06,07X
CHECKED		TITLE:	0.5 ZIF FPC SMT R/A TYPE BOTTOM CONTACT H=2.00
APPROVED	102/3/13	UNIT	MM
SHEET	1/1	SCALE	8:1
		SIZE	A4
		REV	H

REVISIONS	CHK	DATE	GENERAL TOLERANCE UNLESS OTHERWISE SPECIFIED
RE201303020	JOSH	03/26/13	X.X ±0.25
RE201208014	JIMMY	12/20/12	X.XX ±0.15
RE20121204	JIMMY	12/05/12	X.XXX ±0.15
RE201208036	JIMMY	08/06/12	ANG. ±3°
RE201110037	JIMMY	11/09/11	
REN101034	JIMMY	10/29/10	