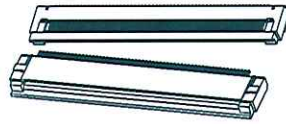
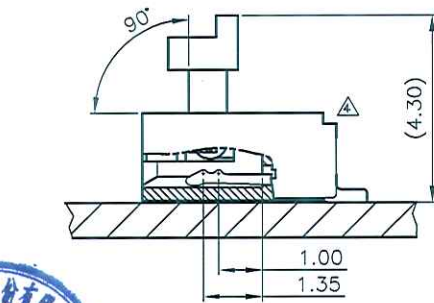
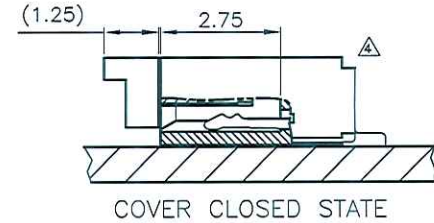
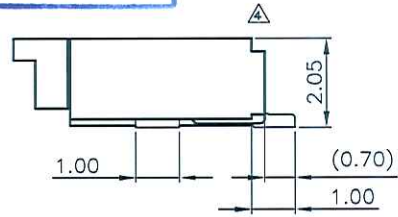
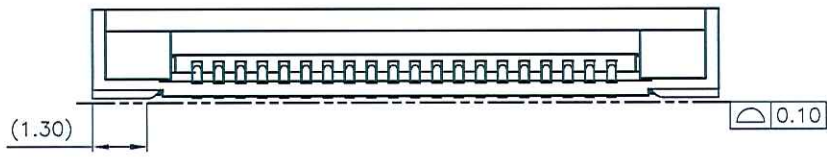


MYLAR DRAWING



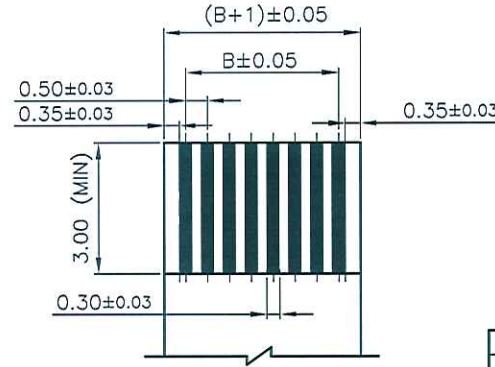
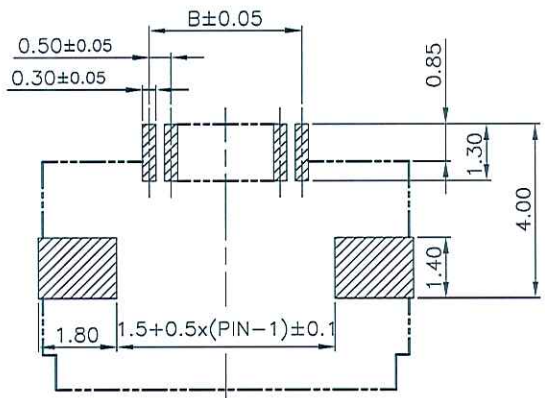
ENTERY INDUSTRIAL CO., LTD.
JUN 17. 2015
R&D D.C.C. ISSUED



- NOTES: MATERIAL & FINISH
 1. HOUSING: HIGH-TEMP THERMOPLASTIC UL94V-0
 COLOR: BLACK
 2. ACTUATOR: HIGH-TEMP THERMOPLASTIC UL94V-0
 COLOR: NATURE
 3. TERMINAL: COPPER ALLOY
 PLATING: TIN OR GOLD-FLASH OR SOFT GOLD-FLASH
 OR MATTE-TIN PLATED
 4. FITTING NAIL: COPPER ALLOY
 PLATING: TIN PLATED
 5. ORDER INFORMATION: 6712K-X XX X-0A,1A X

PACKING: E: TUBE
 R: PLASTIC REEL
 L: PAPER REEL
 TYPE: OA: STANDARD
 1A: CARRIER WIDTH DIFFERENT
 N: STANDARD
 M: MYLAR
 PLATING: E: TIN
 Q: MATTE-TIN
 F: GOLD FLASH
 S: SOFT GOLD FLASH
 Y: GOLD FLASH (WITH NICKEL BARRIER)
 V: GOLD FLASH (WITH NICKEL BARRIER)
 6712K: 0.5 ZIF FPC SMT R/A BOTTOM TYPE
 (HALOGEN FREE)

PIN NO.	A	B	C	D
04	6.40	1.50	5.80	2.55
05	6.90	2.00	6.30	3.05
06	7.40	2.50	6.80	3.55
07	7.90	3.00	7.30	4.05
08	8.40	3.50	7.80	4.55
09	8.90	4.00	8.30	5.05
10	9.40	4.50	8.80	5.55
11	9.90	5.00	9.30	6.05
12	10.40	5.50	9.80	6.55
13	10.90	6.00	10.30	7.05
14	11.40	6.50	10.80	7.55
15	11.90	7.00	11.30	8.05
16	12.40	7.50	11.80	8.55
17	12.90	8.00	12.30	9.05
18	13.40	8.50	12.80	9.55
19	13.90	9.00	13.30	10.05
20	14.40	9.50	13.80	10.55
21	14.90	10.00	14.30	11.05
22	15.40	10.50	14.80	11.55
23	15.90	11.00	15.30	12.05
24	16.40	11.50	15.80	12.55
25	16.90	12.00	16.30	13.05
26	17.40	12.50	16.80	13.55
27	17.90	13.00	17.30	14.05
28	18.40	13.50	17.80	14.55
29	18.90	14.00	18.30	15.05
30	19.40	14.50	18.80	15.55
31	19.90	15.00	19.30	16.05
32	20.40	15.50	19.80	16.55
33	20.90	16.00	20.30	17.05
34	21.40	16.50	20.80	17.55
35	21.90	17.00	21.30	18.05
36	22.40	17.50	21.80	18.55
37	22.90	18.00	22.30	19.05
38	23.40	18.50	22.80	19.55
39	23.90	19.00	23.30	20.05
40	24.40	19.50	23.80	20.55
41	24.90	20.00	24.30	21.05
42	25.40	20.50	24.80	21.55
43	25.90	21.00	25.30	22.05
44	26.40	21.50	25.80	22.55
45	26.90	22.00	26.30	23.05
46	27.40	22.50	26.80	23.55
47	27.90	23.00	27.30	24.05
48	28.40	23.50	27.80	24.55
49	28.90	24.00	28.30	25.05
50	29.40	24.50	28.80	25.55
51	29.90	25.00	29.30	26.05
52	30.40	25.50	29.80	26.55
53	30.90	26.00	30.30	27.05
54	31.40	26.50	30.80	27.55
55	31.90	27.00	31.30	28.05
56	32.40	27.50	31.80	28.55
57	32.90	28.00	32.30	29.05
58	33.40	28.50	32.80	29.55
59	33.90	29.00	33.30	30.05
60	34.40	29.50	33.80	30.55



CUSTOMER		E&T 恩得利工業股份有限公司 ENTERY INDUSTRIAL CO., LTD.	
RE201505017	Ceres 06/01/15	GENERAL TOLERANCE UNLESS OTHERWISE SPECIFIED	DRAWN JIMMY AUG-24-2012
REN150403	Ceres 04/07/15	X.X ±0.25	CHECKED
REN131005	Juno 10/17/13	X.XX ±0.15	APPROVED
RE201212011	Juno 01/02/13	X.XXX ANG. ±3'	SHEET 1/1
RE201206014	JIMMY 12/20/12		UNIT MM
REN121121	Juno 11/28/12		SCALE 8:1
SER REVISIONS	CHK DATE		SIZE A4
			REV F