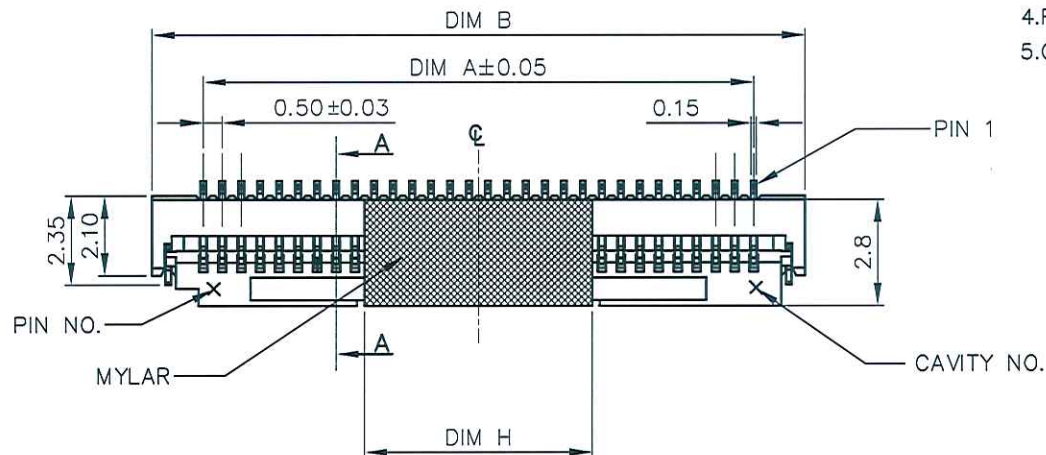


NOTES: MATERIAL & FINISH

1. HOUSING: HIGH-TEMP THERMOPLASTIC UL94V-0, COLOR: BLACK
2. ACTUATOR: HIGH-TEMP THERMOPLASTIC UL94V-0, COLOR: NATURE
3. TERMINAL: COPPER ALLOY, PLATING: GOLD FLASH PLATED ON CONTACT & SOLDERING AREA
4. FITTING NAIL: COPPER ALLOY, PLATING: MATTE-TIN (LEAD FREE) PLATED
5. ORDER INFORMATION: 6716K - X XX X-00,40 X



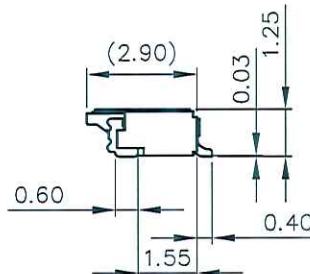
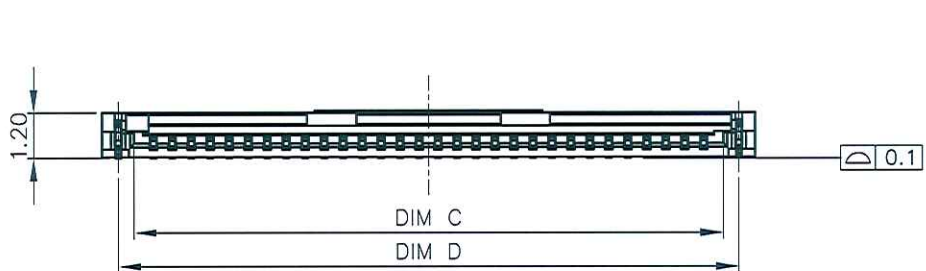
PACKING: L: PAPER REEL
R: PLATIC REEL
E: TUBE

TYPE
00: STANDARD
40: CARRIER DIFFERENT

N: STANDARD
M: WITH MYLAR

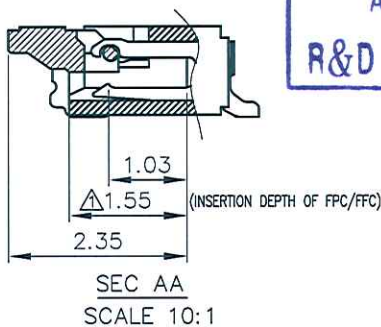
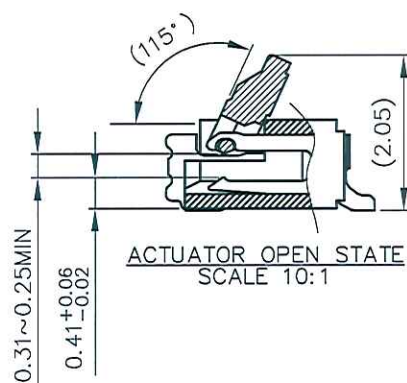
PIN NO.
PLATING: F: GOLD FLASH Δ
 Δ Y: GOLD FLASH (WITH NICKEL BARRIER)

0.5 ZIF FPC SMT R/A B/C (HALOGEN FREE)



PIN NO.	A	B	C	D	H
4	1.50	4.20	2.53	3.35	3.0
5	2.00	4.70	3.03	3.85	
6	2.50	5.20	3.53	4.35	
7	3.00	5.70	4.03	4.85	
8	3.50	6.20	4.53	5.35	
9	4.00	6.70	5.03	5.85	
10	4.50	7.20	5.53	6.35	
11	5.00	7.70	6.03	6.85	
12	5.50	8.20	6.53	7.35	
13	6.00	8.70	7.03	7.85	
14	6.50	9.20	7.53	8.35	
15	7.00	9.70	8.03	8.85	
16	7.50	10.20	8.53	9.35	
17	8.00	10.70	9.03	9.85	
18	8.50	11.20	9.53	10.35	
19	9.00	11.70	10.03	10.85	
20	9.50	12.20	10.53	11.35	
21	10.00	12.70	11.03	11.85	
22	10.50	13.20	11.53	12.35	
23	11.00	13.70	12.03	12.85	
24	11.50	14.20	12.53	13.35	
25	12.00	14.70	13.03	13.85	

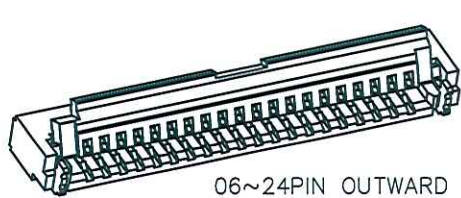
PIN NO.	A	B	C	D	H
26	12.50	15.20	13.53	14.35	6.0
27	13.00	15.70	14.03	14.85	
28	13.50	16.20	14.53	15.35	
29	14.00	16.70	15.03	15.85	
30	14.50	17.20	15.53	16.35	
31	15.00	17.70	16.03	16.85	
32	15.50	18.20	16.53	17.35	
33	16.00	18.70	17.03	17.85	
34	16.50	19.20	17.53	18.35	
35	17.00	19.70	18.03	18.85	
36	17.50	20.20	18.53	19.35	
37	18.00	20.70	19.03	19.85	
38	18.50	21.20	19.53	20.35	
39	19.00	21.70	20.03	20.85	
40	19.50	22.20	20.53	21.35	
41	20.00	22.70	21.03	21.85	
42	20.50	23.20	21.53	22.35	
43	21.00	23.70	22.03	22.85	
44	21.50	24.20	22.53	23.35	
45	22.00	24.70	23.03	23.85	
46	22.50	25.20	23.53	24.35	
47	23.00	25.70	24.03	24.85	
48	23.50	26.20	24.53	25.35	
49	24.00	26.70	25.03	25.85	
50	24.50	27.20	25.53	26.35	



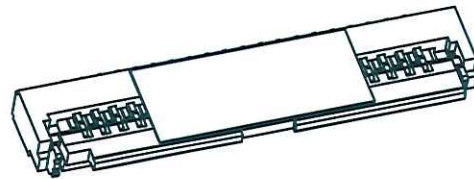
ENTERY INDUSTRIAL CO., LTD.
APR 18, 2014
R&D D.C.C. ISSUED

SER	REVISIONS	CHK	DATE
Δ	RE201401007	JUNO	03/31/14
Δ	RE201302011	JUNO	04/03/13
Δ	REN110927	JACKSON	09/29/11

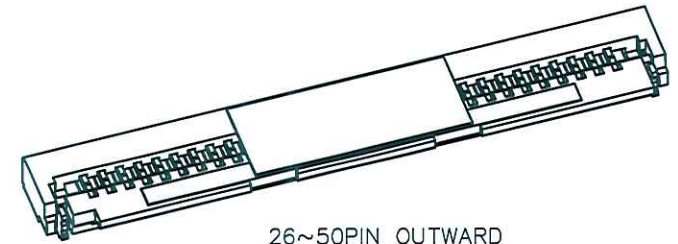
CUSTOMER		恩得利工業股份有限公司 E & T ENTERY INDUSTRIAL CO., LTD.	
GENERAL TOLERANCE UNLESS OTHERWISE SPECIFIED		DRAWN JACKSON JULY-14-2011	
X.X ±0.25	X.XX ±0.15	PART NO. 6716K-XXXX-00,40X	
X.XXX	ANG. ±1°	TITLE: 0.5 PITCH FPC H=1.2mm TYPE	
APPROVED		SHEET 1/2	
UNIT MM		SCALE 5:1	SIZE A4
REV D			



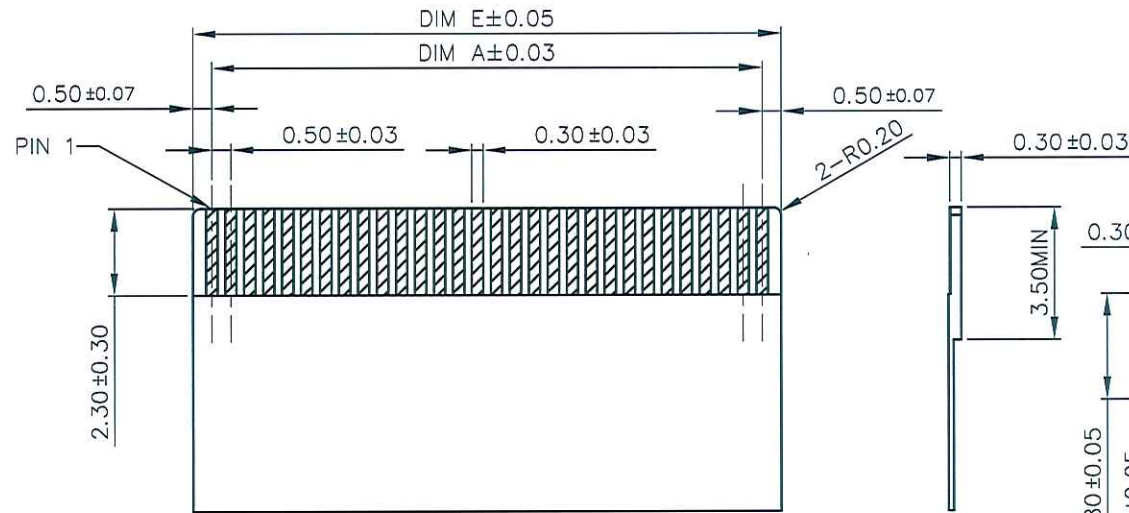
06~24PIN OUTWARD
3D VIEW (REFERENCE) OPEN



06~24PIN OUTWARD
3D VIEW (REFERENCE) CLOSE

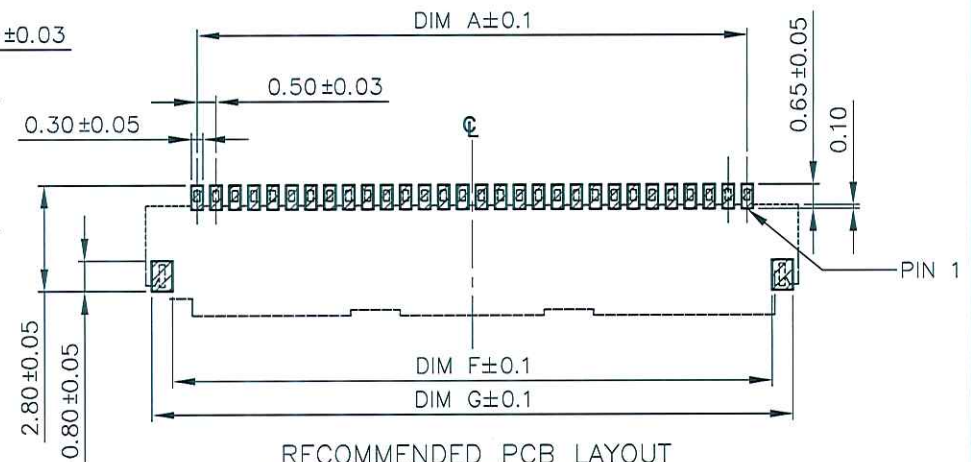


26~50PIN OUTWARD
3D VIEW (REFERENCE) CLOSE



FPC/FFC DIMENSIONS

GENERAL TOLERANCE ±0.05

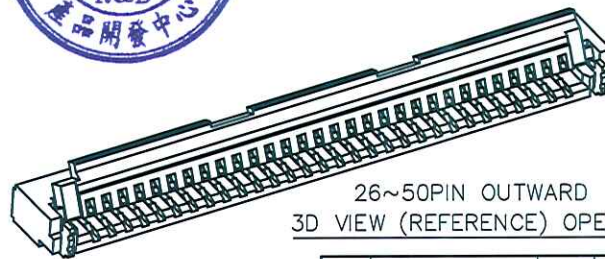


RECOMMENDED PCB LAYOUT

TOP VIEW
GENERAL TOLERANCE ±0.05

PIN NO.	A	E	F	G
4	1.50	2.50	2.80	3.90
5	2.00	3.00	3.30	4.40
6	2.50	3.50	3.80	4.90
7	3.00	4.00	4.30	5.40
8	3.50	4.50	4.80	5.90
9	4.00	5.00	5.30	6.40
10	4.50	5.50	5.80	6.90
11	5.00	6.00	6.30	7.40
12	5.50	6.50	6.80	7.90
13	6.00	7.00	7.30	8.40
14	6.50	7.50	7.80	8.90
15	7.00	8.00	8.30	9.40
16	7.50	8.50	8.80	9.90
17	8.00	9.00	9.30	10.40
18	8.50	9.50	9.80	10.90
19	9.00	10.00	10.30	11.40
20	9.50	10.50	10.80	11.90
21	10.00	11.00	11.30	12.40
22	10.50	11.50	11.80	12.90
23	11.00	12.00	12.30	13.40
24	11.50	12.50	12.80	13.90
25	12.00	13.00	13.30	14.40
26	12.50	13.50	13.80	14.90
27	13.00	14.00	14.30	15.40

PIN NO.	A	E	F	G
28	13.50	14.50	14.80	15.90
29	14.00	15.00	15.30	16.40
30	14.50	15.50	15.80	16.90
31	15.00	16.00	16.30	17.40
32	15.50	16.50	16.80	17.90
33	16.00	17.00	17.30	18.40
34	16.50	17.50	17.80	18.90
35	17.00	18.00	18.30	19.40
36	17.50	18.50	18.80	19.90
37	18.00	19.00	19.30	20.40
38	18.50	19.50	19.80	20.90
39	19.00	20.00	20.30	21.40
40	19.50	20.50	20.80	21.90
41	20.00	21.00	21.30	22.40
42	20.50	21.50	21.80	22.90
43	21.00	22.00	22.30	23.40
44	21.50	22.50	22.80	23.90
45	22.00	23.00	23.30	24.40
46	22.50	23.50	23.80	24.90
47	23.00	24.00	24.30	25.40
48	23.50	24.50	24.80	25.90
49	24.00	25.00	25.30	26.40
50	24.50	25.50	25.80	26.90



26~50PIN OUTWARD
3D VIEW (REFERENCE) OPEN

ENTERY INDUSTRIAL CO., LTD.
APR 18, 2014
R&D D.C.C. ISSUED

SER	REVISIONS	CHK	DATE
△	RE201401007	JUNG	03/31/14
△	RE201302011	JUNG	04/03/13
△	REN110927	JACKSON	09/29/11

CUSTOMER		恩得利工業股份有限公司 ENTERY INDUSTRIAL CO., LTD.	
GENERAL TOLERANCE UNLESS OTHERWISE SPECIFIED	DRAWN JACKSON JULY-14-2011	PART NO. 6716K-XXXX-00,40X	TITLE: 0.5 PITCH FPC H=1.2mm TYPE
X.X ±0.25	CHECKED		
X.XX ±0.15	APPROVED		
X.XXX ±0.1			
ANG. ±1°			
SHEET 2/2	UNIT MM	SCALE 5:1	SIZE A4
			REV D