

ENTERY INDUSTRIAL CO., LTD.  
 JAN 14 2013  
 R&D D.C.C. ISSUED

- NOTES: MATERIAL & FINISH  
 1. HOUSING: HIGH-TEMPERATURE THERMOPLASTIC UL94V-0  
 COLOR: BLACK  
 2. ACTUATOR: HIGH-TEMPERATURE THERMOPLASTIC UL94V-0  
 COLOR: WHITE  
 3. CONTACT: COPPER ALLOY; t=0.2mm  
 PLATING: TIN OR MATTE-TIN OR GOLD FLASH PLATED  
 4. FITTING NAIL: COPPER ALLOY; t=0.2mm  
 PLATING: TIN PLATED  
 5. ORDER INFORMATION: 6780K-X XX X-00X

PACKING: E: TUBE  
 R: CARRIER REEL  
 L: PAPER REEL

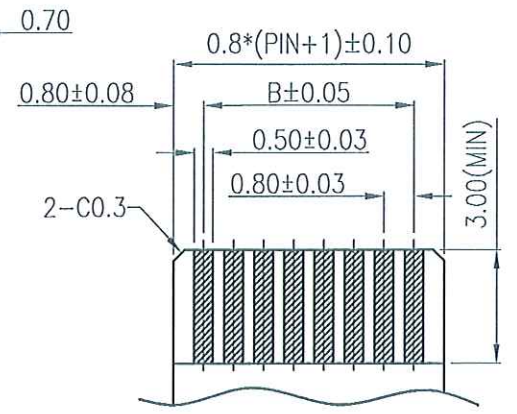
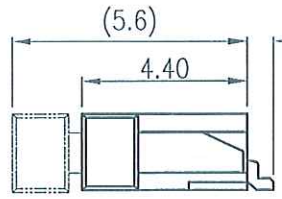
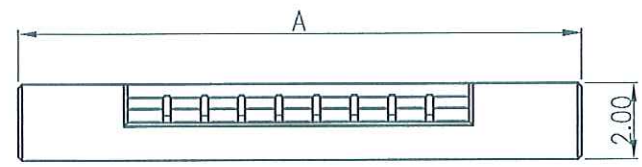
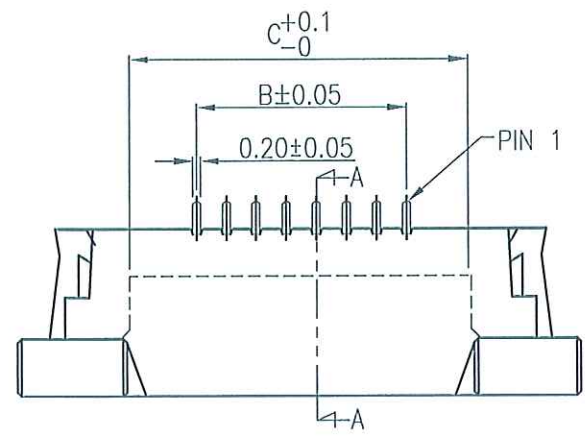
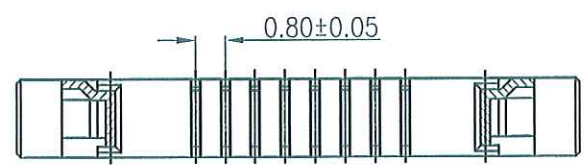
N: STANDARD  
 Y: PRINT  
 PIN

PLATING: E: TIN  
 F: GOLD FLASH  
 Q: MATTE-TIN

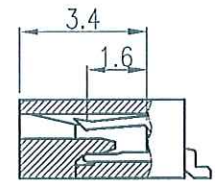
Y AND V: GOLD FLASH (WITH NICKEL BARRIER)

6780K:0.8 ZIF FPC SMT R/A TYPE TOP CONTACT (HALOGEN FREE)

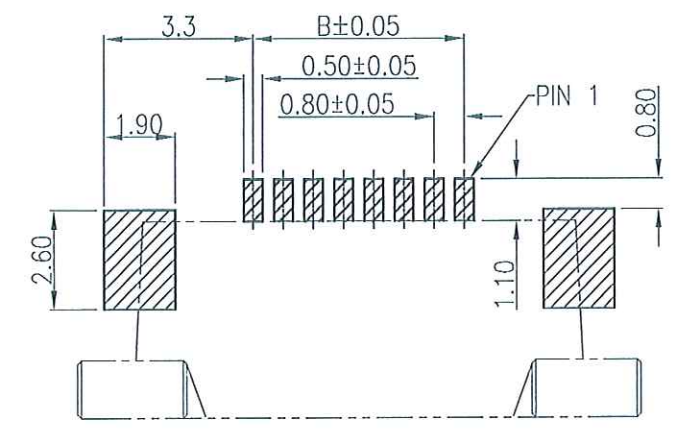
PIN	A	B	C
04	10.05	2.40	4.10
05	10.85	3.20	4.90
06	11.65	4.00	5.70
07	12.45	4.80	6.50
08	13.25	5.60	7.30
09	14.05	6.40	8.10
10	14.85	7.20	8.90
11	15.65	8.00	9.70
12	16.45	8.80	10.50
13	17.25	9.60	11.30
14	18.05	10.40	12.10
15	18.85	11.20	12.90
16	19.65	12.00	13.70
17	20.45	12.80	14.50
18	21.25	13.60	15.30
19	22.05	14.40	16.10
20	22.85	15.20	16.90
21	23.65	16.00	17.70
22	24.45	16.80	18.50
23	25.25	17.60	19.30
24	26.05	18.40	20.10
25	26.85	19.20	20.90
26	27.65	20.00	21.70
27	28.45	20.80	22.50
28	29.25	21.60	23.30
29	30.05	22.40	24.10
30	30.85	23.20	24.90
31	31.65	24.00	25.70
32	32.45	24.80	26.50
33	33.25	25.60	27.30
34	34.05	26.40	28.10
35	34.85	27.20	28.90
36	35.65	28.00	29.70
37	36.45	28.80	30.50
38	37.25	29.60	31.30
39	38.05	30.40	32.10
40	38.85	31.20	32.90



RECOMMENDED APPLICABLE  
 FPC LAYOUT (THICKNESS: 0.3±0.03)



SECTION A-A



RECOMMENDED P.C.BOARD PATTERN DIM.(REF)



SER	REVISIONS	CHK	DATE
△	RE201208014	JIMMY	12/20/12
△	RE201207023	JIMMY	03/24/12
△	RE201110037	JIMMY	11/03/11
△	REN110913	JIMMY	09/21/11
△	REN101201	JIMMY	12/03/10
△	RE060836	ALICE	09/01/08

CUSTOMER

恩得利工業股份有限公司  
 E&T ENTERY INDUSTRIAL CO., LTD.

GENERAL TOLERANCE UNLESS OTHERWISE SPECIFIED  
 X.X ±0.30  
 X.XX ±0.20  
 X.XXX ±0.10  
 ANG. ±0'30'

DRAWN Josh OCT-20-2004  
 CHECKED  
 APPROVED  
 SHEET 1/1

PART NO. 6780K-XXXX-00X  
 TITLE: 0.8 ZIF FPC SMT R/A TYPE TOP CONTACT  
 UNIT MM SCALE 5:1 SIZE A4 REV G