

- NOTES: MATERIAL & FINISH  
 1. HOUSING: HIGH-TEMPERATURE THERMOPLASTIC UL94V-0  
 COLOR: BLACK  
 2. ACTUATOR: HIGH-TEMPERATURE THERMOPLASTIC UL94V-0  
 COLOR: WHITE  
 △ 3. CONTACT: COPPER ALLOY; t=0.2mm  
 PLATING: TIN OR MATTE TIN PLATED  
 △ 4. FITTING NAIL: COPPER ALLOY; t=0.2mm  
 PLATING: TIN PLATED  
 △ 5. CAPTON: INSULATING MATERIAL; t=0.15mm  
 △△ 6. ORDER INFORMATION: 6781K-X XX X-00X



PACKING: E: TUBE  
 R: CARRIER REEL  
 L: PAPER REEL

N: STANDARD  
 M: WITH CAPTON

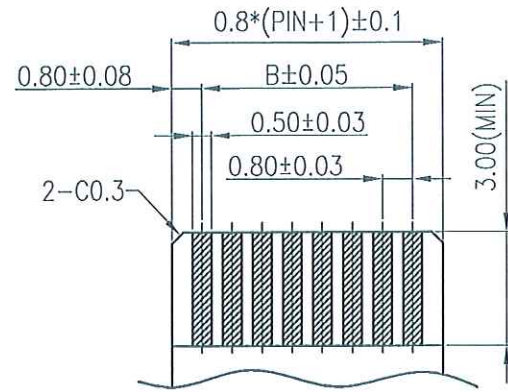
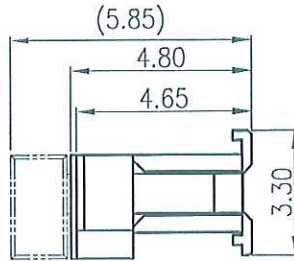
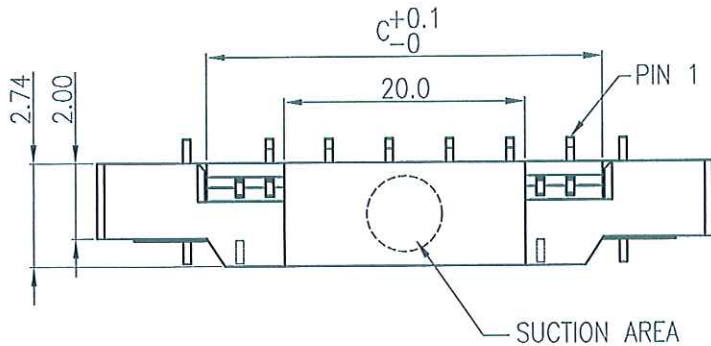
PIN

△ PLATING: E: TIN

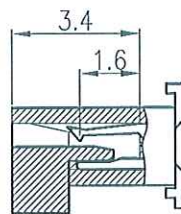
△ Q: MATTE-TIN

△ Y: GOLD FLASH (WITH NICKEL BARRIER)

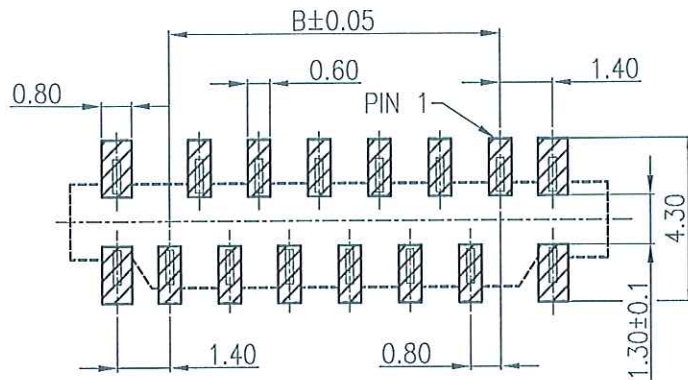
△ 6781K: 0.8 ZIF FPC SMT V/T T/C (HALOGEN FREE)



RECOMMENDED APPLICABLE  
 FPC LAYOUT (THICKNESS: 0.3±0.03)



SECTION A-A



RECOMMENDED P.C. BOARD PATTERN DIM. (REF)

ENTERY INDUSTRIAL CO., LTD.  
 JAN 15, 2013  
 R&D D.C.C. ISSUED

PIN	A	B	C
04	10.05	2.40	4.10
05	10.85	3.20	4.90
06	11.65	4.00	5.70
07	12.45	4.80	6.50
08	13.25	5.60	7.30
09	14.05	6.40	8.10
10	14.85	7.20	8.90
11	15.65	8.00	9.70
12	16.45	8.80	10.50
13	17.25	9.60	11.30
14	18.05	10.40	12.10
15	18.85	11.20	12.90
16	19.65	12.00	13.70
17	20.45	12.80	14.50
18	21.25	13.60	15.30
19	22.05	14.40	16.10
20	22.85	15.20	16.90
21	23.65	16.00	17.70
22	24.45	16.80	18.50
23	25.25	17.60	19.30
24	26.05	18.40	20.10
25	26.85	19.20	20.90
26	27.65	20.00	21.70
27	28.45	20.80	22.50
28	29.25	21.60	23.30
29	30.05	22.40	24.10
30	30.85	23.20	24.90
31	31.65	24.00	25.70
32	32.45	24.80	26.50
33	33.25	25.60	27.30
34	34.05	26.40	28.10
35	34.85	27.20	28.90
36	35.65	28.00	29.70
37	36.45	28.80	30.50
38	37.25	29.60	31.30
39	38.05	30.40	32.10
40	38.85	31.20	32.90

CUSTOMER

恩得利工業股份有限公司  
 E&T ENTERY INDUSTRIAL CO., LTD.

REVISIONS	CHK	DATE
△ RE201206014	JIMMY	12/20/12
△ RE201210002	JIMMY	08/03/12
△ REN111014	JIMMY	10/19/11
△ REN101201	JIMMY	12/03/10
△ REN80312	Joan	03/19/08
△ RE050601	Joan	07/13/05

GENERAL TOLERANCE UNLESS OTHERWISE SPECIFIED  
 X.X ±0.30  
 X.XX ±0.20  
 X.XXX ±0.10  
 ANG. ±0°30'

DRAWN: Joan OCT-20-2004  
 CHECKED: [Signature]  
 APPROVED: [Signature]  
 SHEET: [Signature]

PART NO. △△ 6781K-XXXX-00X  
 TITLE: 0.8 ZIF FPC SMT V/T T/C  
 UNIT: MM  
 SCALE: 5:1  
 SIZE: A4  
 REV: G