

- NOTES: MATERIAL & FINISH
 1. HOUSING: HIGH-TEMPERATURE THERMOPLASTIC UL94V-0
 COLOR: BLACK
 2. ACTUATOR: HIGH-TEMPERATURE THERMOPLASTIC UL94V-0
 COLOR: WHITE
 3. CONTACT: COPPER ALLOY. t=0.25mm
 PLATING: TIN OR MATTE-TIN OR GOLD FLASH PLATED
 4. FITTING NAIL: COPPER ALLOY. t=0.25mm
 PLATING: TIN PLATED

5. ORDER INFORMATION: 6901K-X XX X-00X

ENTERY INDUSTRIAL CO., LTD.
 JAN 15, 2013
 R&D D.C.C. ISSUED

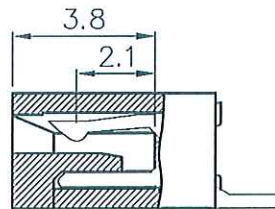
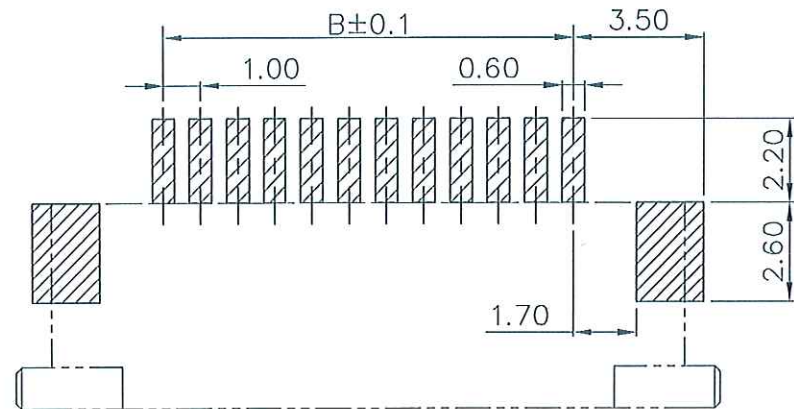
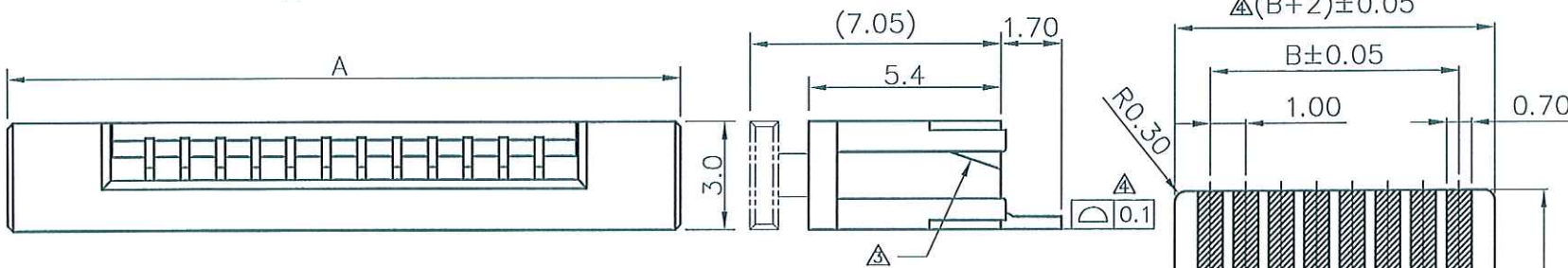
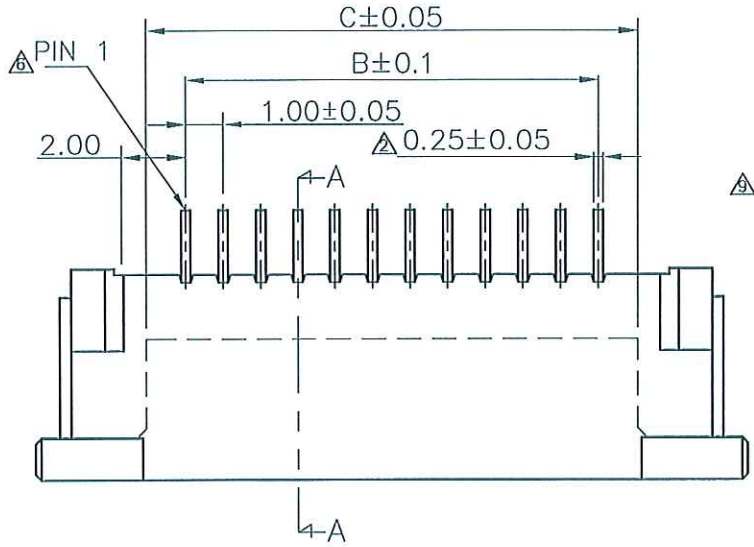


PACKING: E: TUBE
 △ R: PLATIC REEL
 △ L: PAPER REEL

N: STANDARD
 Y: DATE CODE

PIN NO.
 PLATING: E: TIN
 △ Q: MATTE-TIN
 F: GOLD FLSH

△ 6901K: 1.0 ZIF FPC SMT R/A TOP TYPE (HALOGEN FREE)



SECTION A-A

PIN.	A	B	C
03	10.0	2.0	4.15
04	11.0	3.0	5.15
05	12.0	4.0	6.15
06	13.0	5.0	7.15
07	14.0	6.0	8.15
08	15.0	7.0	9.15
09	16.0	8.0	10.15
10	17.0	9.0	11.15
11	18.0	10.0	12.15
12	19.0	11.0	13.15
13	20.0	12.0	14.15
14	21.0	13.0	15.15
15	22.0	14.0	16.15
16	23.0	15.0	17.15
17	24.0	16.0	18.15
18	25.0	17.0	19.15
19	26.0	18.0	20.15
20	27.0	19.0	21.15
21	28.0	20.0	22.15
22	29.0	21.0	23.15
23	30.0	22.0	24.15
24	31.0	23.0	25.15
25	32.0	24.0	26.15
26	33.0	25.0	27.15
27	34.0	26.0	28.15
28	35.0	27.0	29.15
29	36.0	28.0	30.15
30	37.0	29.0	31.15
31	38.0	30.0	32.15
32	39.0	31.0	33.15
33	40.0	32.0	34.15
34	41.0	33.0	35.15
35	42.0	34.0	36.15
36	43.0	35.0	37.15
37	44.0	36.0	38.15
38	45.0	37.0	39.15

△ APPLICABLE FPC/FFC THICKNESS: 0.3±0.03

CUSTOMER		恩得利工業股份有限公司 ENTERY INDUSTRIAL CO., LTD.	
GENERAL TOLERANCE UNLESS OTHERWISE SPECIFIED X.X ±0.30 X.XX ±0.20 X.XXX ±0.10 ANG. ±0°30'		DRAWN Josh OCT-20-2004 CHECKED APPROVED 1/8 13	PART NO. △△ 6901K-XXXX-00X TITLE: 1.0 ZIF FPC SMT R/A T/C
SER	REVISIONS	CHK	DATE

△	RE201208014	JIMMY	12/18/12
△	RE201210002	KAZ	09/18/12
△	REN120913	KAZ	05/19/11
△	REN110514	JIMMY	11/12/10
△	REN90402	Joan	04/03/09
△	REN90205	Kidd	02/17/09

SHEET 1/1 UNIT MM SCALE 5:1 SIZE A4 REV J