

NOTES: MATERIAL & FINISH

- 1. HOUSING: HIGH-TEMPERATURE THERMOPLASTIC UL94V-0  
COLOR: BLACK
- 2. ACTUATOR: HIGH-TEMPERATURE THERMOPLASTIC UL94V-0  
COLOR: WHITE

△ 3. CONTACT: COPPER ALLOY, t=0.25mm

PLATING: TIN PLATED

△ 4. FITTING NAIL: COPPER ALLOY, t=0.25mm

PLATING: TIN PLATED

△ 5. ORDER INFORMATION: 6902K-X XX N-01X



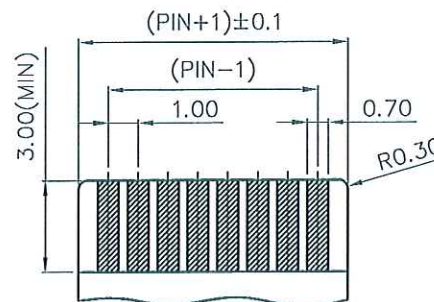
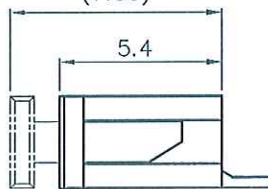
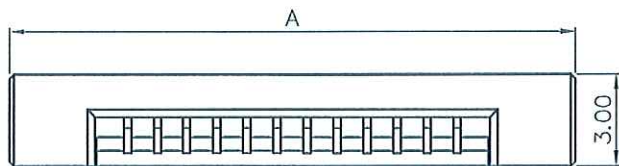
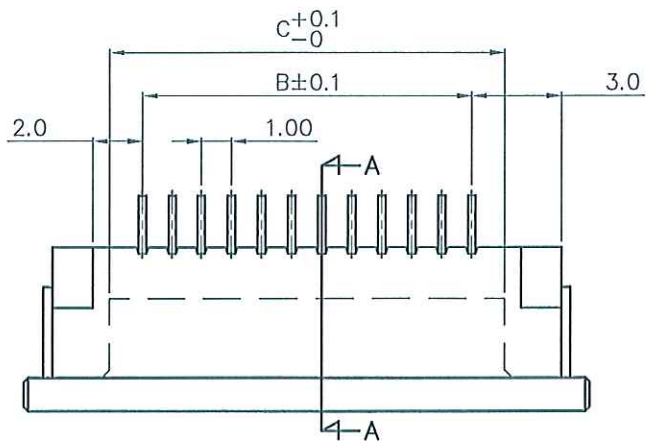
(7.05)

PACKING: E:TUBE  
R:CARRIER REEL  
L:PAPER REEL

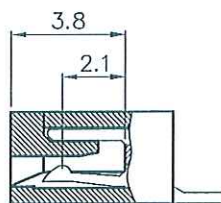
STANDARD  
PIN  
△ PLATING: E: TIN

1.0 ZIF FPC SMT R/A TYPE BOTTOM CONTACT  
(HALOGEN FREE)

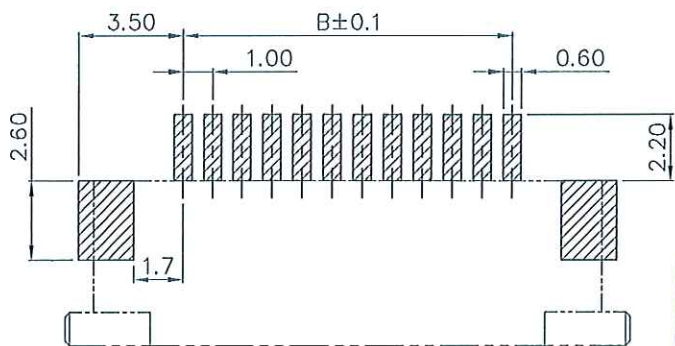
PIN.	A	B	C
03	10.0	2.0	4.15
04	11.0	3.0	5.15
05	12.0	4.0	6.15
06	13.0	5.0	7.15
07	14.0	6.0	8.15
08	15.0	7.0	9.15
09	16.0	8.0	10.15
10	17.0	9.0	11.15
11	18.0	10.0	12.15
12	19.0	11.0	13.15
13	20.0	12.0	14.15
14	21.0	13.0	15.15
15	22.0	14.0	16.15
16	23.0	15.0	17.15
17	24.0	16.0	18.15
18	25.0	17.0	19.15
19	26.0	18.0	20.15
20	27.0	19.0	21.15
21	28.0	20.0	22.15
22	29.0	21.0	23.15
23	30.0	22.0	24.15
24	31.0	23.0	25.15
25	32.0	24.0	26.15
26	33.0	25.0	27.15
27	34.0	26.0	28.15
28	35.0	27.0	29.15
29	36.0	28.0	30.15
30	37.0	29.0	31.15
31	38.0	30.0	32.15
32	39.0	31.0	33.15
33	40.0	32.0	34.15
34	41.0	33.0	35.15
35	42.0	34.0	36.15
36	43.0	35.0	37.15
37	44.0	36.0	38.15
38	45.0	37.0	39.15



RECOMMENDED APPLICABLE  
FPC LAYOUT (THICKNESS: 0.3±0.03)



SECTION A-A



RECOMMENDED PATTERN DIM. (REF.)

ENTERY INDUSTRIAL CO., LTD.

JAN 15, 2013

R&D D.C.C. ISSUED

CUSTOMER

恩得利工業股份有限公司  
E & T  
ENTERY INDUSTRIAL CO., LTD.

GENERAL TOLERANCE  
UNLESS  
OTHERWISE SPECIFIED  
X.X ±0.30  
X.XX ±0.20  
X.XXX  
ANG. ±0°30'

DRAWN  
Josh NOV-25-2004  
CHECKED

PART NO. △  
6902K-XXXN-01X

TITLE:  
1.0 ZIF FPC SMT R/A TYPE  
BOTTOM CONTACT

UNIT SCALE SIZE REV  
MM 4:1 A4 C

SER	REVISIONS	CHK	DATE
△	RE201206014 RE201210002	JIMMY	12/19/12
△	REN101201	JIMMY	12/03/10

APPROVED  
12/18/13

SHEET