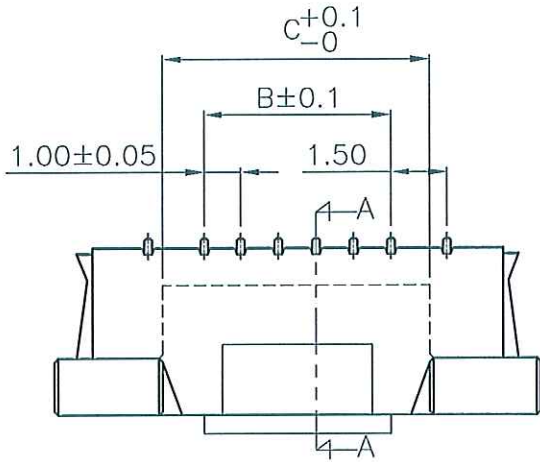


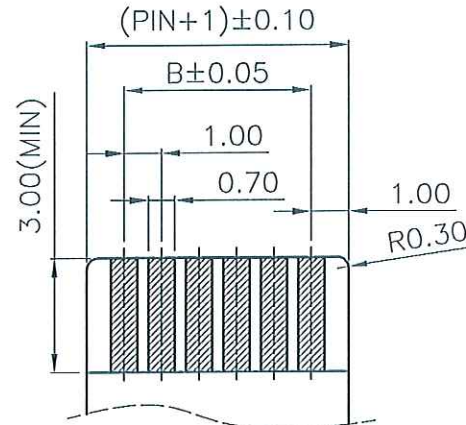
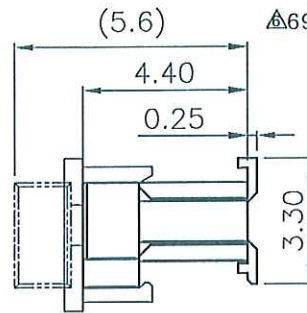
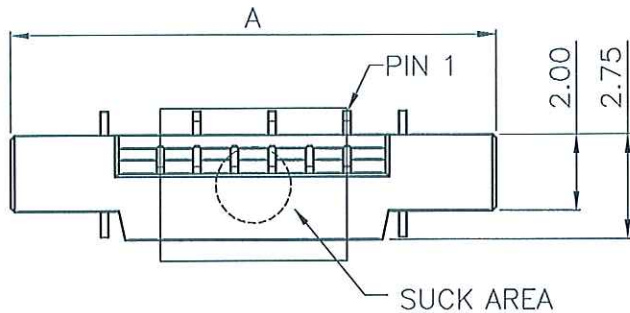
- NOTES: MATERIAL & FINISH
 1. HOUSING: HIGH-TEMPERATURE THERMOPLASTIC UL94V-0
 COLOR: BLACK
 2. ACTUATOR: HIGH-TEMPERATURE THERMOPLASTIC UL94V-0
 COLOR: WHITE
 Δ 3. CONTACT: COPPER ALLOY; t=0.2mm
 PLATING: TIN OR MATTE TIN
 OR MATTE TIN OR GOLD FLASH PLATED
 4. FITTING NAIL: COPPER ALLOY; t=0.2mm
 PLATING: TIN PLATED
 ΔΔ 5. ORDER INFORMATION: 6904K-X XX X-00,20X Δ



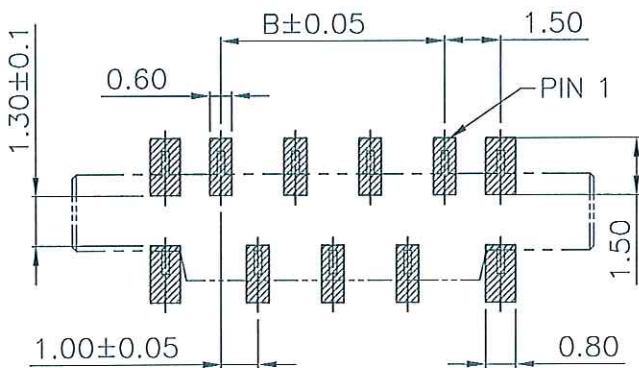
ENTERY INDUSTRIAL CO., LTD.
 JAN 15. 2013
 R&D D.C.C. ISSUED

PACKING: E: TUBE
 R: PLASTIC REEL
 ΔL: PAPER REEL
 Y: PRINT
 ΔT: PRINT & CAP
 ΔC: CAP
 ΔM: PRINT&MYLAR
 ΔN: STANDARD
 PIN NO.
 PLATING: E: TIN
 F: GOLD FLASH
 ΔQ: MATTE TIN
 ΔY: GOLD FLASH(WITH NICKEL BARRIER)
 Δ6904K: 1.0 ZIF FPC SMT V/T (HALOGEN FREE)

NO. of contacts (n)	Dimensions		
	A	B	C
04	11.0	3.0	5.1
05	12.0	4.0	6.1
06	13.0	5.0	7.1
07	14.0	6.0	8.1
08	15.0	7.0	9.1
09	16.0	8.0	10.1
10	17.0	9.0	11.1
11	18.0	10.0	12.1
12	19.0	11.0	13.1
13	20.0	12.0	14.1
14	21.0	13.0	15.1
15	22.0	14.0	16.1
16	23.0	15.0	17.1
17	24.0	16.0	18.1
18	25.0	17.0	19.1
19	26.0	18.0	20.1
20	27.0	19.0	21.1
21	28.0	20.0	22.1
22	29.0	21.0	23.1
23	30.0	22.0	24.1
24	31.0	23.0	25.1
25	32.0	24.0	26.1
26	33.0	25.0	27.1
27	34.0	26.0	28.1
28	35.0	27.0	29.1
29	36.0	28.0	30.1
Δ 30	37.0	29.0	31.1



RECOMMENDED APPLICABLE
 FPC LAYOUT (THICKNESS: 0.3±0.03)



RECOMMENDED P.C.BOARD PATTERN DIM.(REF)

SECTION A-A



CUSTOMER		恩得利工業股份有限公司 E & T ENTERY INDUSTRIAL CO., LTD.	
RE201208013	JIMMY	12/19/12	GENERAL TOLERANCE UNLESS OTHERWISE SPECIFIED
REN111014	JIMMY	10/19/11	X.X ±0.30
RE201010021	JIMMY	11/04/10	X.XX ±0.20
REN100708	MAX	07/22/10	X.XXX ANG. ±0'30'
RE081218	Joan	08/03/09	
REN90615	Joan	06/24/09	
SER	REVISIONS	CHK	DATE
DRAWN Joan NOV-25-2004		PART NO. ΔΔΔ 6904K-XXXX-00,20X	
CHECKED		TITLE: 1.0 ZIF FPC SMT V/T	
APPROVED		SHEET 1/1	
UNIT	SCALE	SIZE	REV
MM	5:1	A4	K