

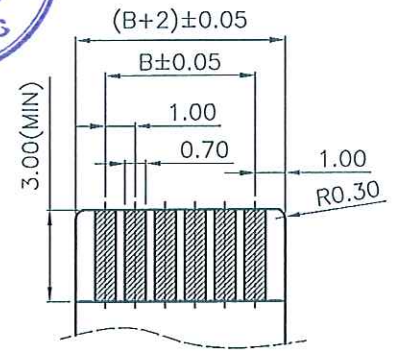
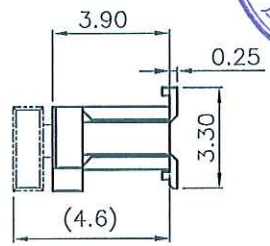
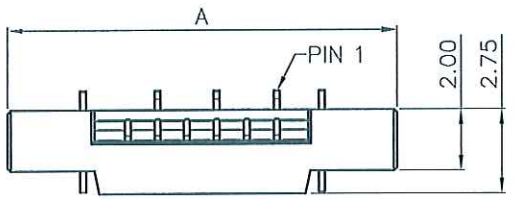
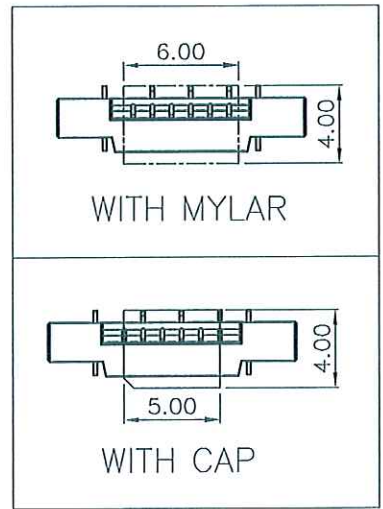
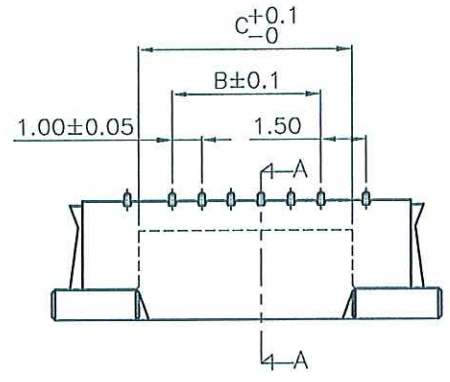
- NOTES: MATERIAL & FINISH  
 1. HOUSING: HIGH-TEMPERATURE THERMOPLASTIC UL94V-0  
 COLOR: BLACK  
 2. ACTUATOR: HIGH-TEMPERATURE THERMOPLASTIC UL94V-0  
 COLOR: NATURE  
 3. CONTACT: COPPER ALLOY; t=0.2mm  
 PLATING: TIN OR GOLD FLASH PLATED  
 4. FITTING NAIL: COPPER ALLOY; t=0.2mm  
 PLATING: TIN PLATED  
 Δ 5. ORDER INFORMATION: 6904K-X XX X-03X

ENTERY INDUSTRIAL CO., LTD.  
 JAN 15, 2013  
 R&D D.C.C. ISSUED

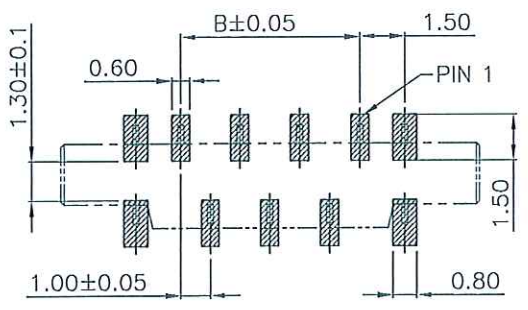
PACKING: E: TUBE  
 R: PLASTIC REEL  
 L: PAPER REEL  
 Y: PRINT DALE CODE  
 T: PRINT DALE CODE & CAP  
 N: STANDARD  
 M: PRINT&MYLAR Δ  
 PIN  
 PLATING: E: TIN  
 F: GOLD FLASH  
 Δ Y: GOLD FLASH(WITH NICKEL BARRIER)

6904K: 1.0 ZIF FPC SMT V/T (HALOGEN FREE) Δ

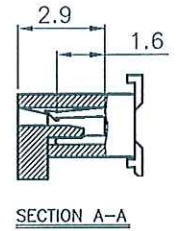
NO. of contacts (n)	Dimensions		
	A	B	C
04	11.0	3.0	5.1
05	12.0	4.0	6.1
06	13.0	5.0	7.1
07	14.0	6.0	8.1
08	15.0	7.0	9.1
09	16.0	8.0	10.1
10	17.0	9.0	11.1
11	18.0	10.0	12.1
12	19.0	11.0	13.1
13	20.0	12.0	14.1
14	21.0	13.0	15.1
15	22.0	14.0	16.1
16	23.0	15.0	17.1
17	24.0	16.0	18.1
18	25.0	17.0	19.1
19	26.0	18.0	20.1
20	27.0	19.0	21.1
21	28.0	20.0	22.1
22	29.0	21.0	23.1
23	30.0	22.0	24.1
24	31.0	23.0	25.1
25	32.0	24.0	26.1
26	33.0	25.0	27.1
27	34.0	26.0	28.1
28	35.0	27.0	29.1
29	36.0	28.0	30.1
30	37.0	29.0	31.1



RECOMMENDED APPLICABLE  
 FPC LAYOUT (THICKNESS: 0.3±0.03)



RECOMMENDED P.C. BOARD PATTERN DIM. (REF)



CUSTOMER		恩得利工業股份有限公司 ENTERY INDUSTRIAL CO., LTD.	
GENERAL TOLERANCE UNLESS OTHERWISE SPECIFIED		DRAWN Hill Aug-04-2008 CHECKED APPROVED SHEET 1/1	PART NO. Δ Δ 6904K-XXXX-03X TITLE: 1.0 ZIF FPC SMT V/T
Δ	RE201208014	JIMMY	12/18/12
Δ	RE201210002	JIMMY	10/19/11
Δ	RE20111014	JIMMY	10/19/11
Δ	RE201005013	Max	10/25/10
SER	REVISIONS	CHK	DATE

UNIT	SCALE	SIZE	REV
MM	4:1	A4	D