

NOTES: MATERIAL & FINISH

- HOUSING: HIGH-TEMPERATURE THERMOPLASTIC UL94V-0  
COLOR: BLACK
- ACTUATOR: HIGH-TEMPERATURE THERMOPLASTIC UL94V-0  
COLOR: WHITE
- CONTACT: COPPER ALLOY. t=0.2mm  
PLATING: TIN OR GOLD FLASH OR MATTE-TIN PLATED
- FITTING NAIL: COPPER ALLOY. t=0.2mm  
PLATING: TIN PLATED



5. ORDER INFORMATION: 6905K-X XX N-00X

ENTERY INDUSTRIAL CO., LTD.  
JAN 15, 2013  
R&D D.C.C. ISSUED

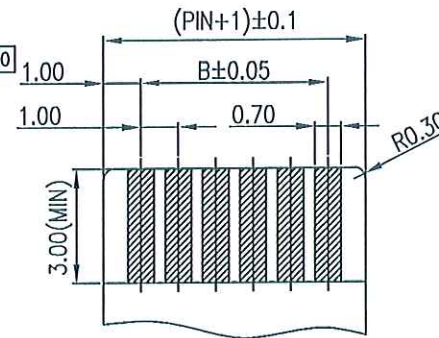
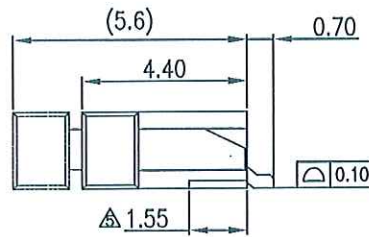
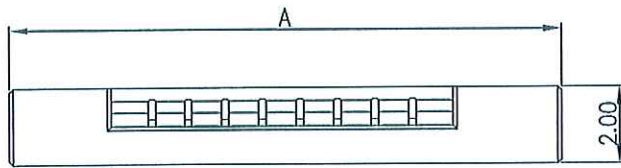
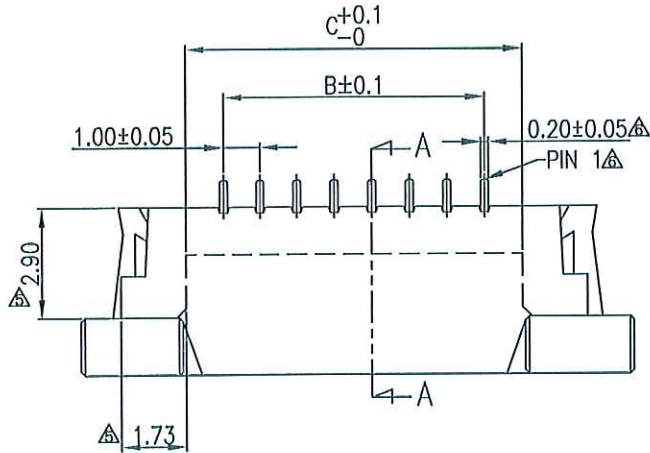
PACKING: E:TUBE  
R:PLASTIC REEL  
L:PAPER REEL

STANDARD  
PIN NO.

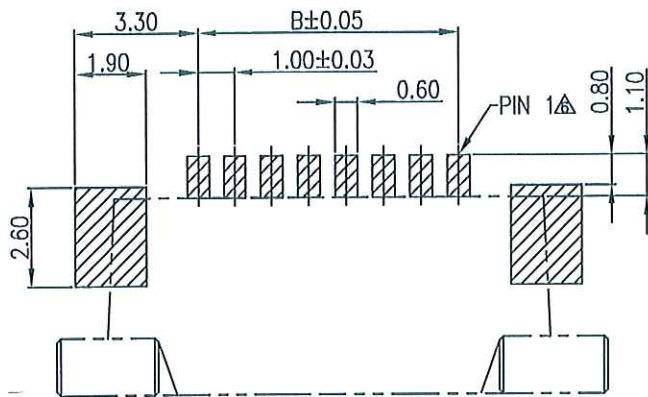
PLATING: E: TIN  
F: GOLD FLASH  
Q: MATTE-TIN  
Y AND V: GOLD FLASH (WITH NICKEL BARRIER)

6905K:1.0 ZIF FPC SMT R/A T/C (HALOGEN FREE)

PIN	A	B	C
04	11.0	3.0	5.1
05	12.0	4.0	6.1
06	13.0	5.0	7.1
07	14.0	6.0	8.1
08	15.0	7.0	9.1
09	16.0	8.0	10.1
10	17.0	9.0	11.1
11	18.0	10.0	12.1
12	19.0	11.0	13.1
13	20.0	12.0	14.1
14	21.0	13.0	15.1
15	22.0	14.0	16.1
16	23.0	15.0	17.1
17	24.0	16.0	18.1
18	25.0	17.0	19.1
19	26.0	18.0	20.1
20	27.0	19.0	21.1
21	28.0	20.0	22.1
22	29.0	21.0	23.1
23	30.0	22.0	24.1
24	31.0	23.0	25.1
25	32.0	24.0	26.1
26	33.0	25.0	27.1
27	34.0	26.0	28.1
28	35.0	27.0	29.1
29	36.0	28.0	30.1
30	37.0	29.0	31.1
31	38.0	30.0	32.1
32	39.0	31.0	33.1
33	40.0	32.0	34.1
34	41.0	33.0	35.1

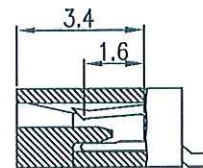


RECOMMENDED APPLICABLE  
FPC LAYOUT (THICKNESS: 0.3±0.03)



RECOMMENDED P.C. BOARD PATTERN DIM. (REF)

SECTION A-A



CUSTOMER				恩得利工業股份有限公司 E&T ENTERY INDUSTRIAL CO., LTD.	
RE201208014	JIMMY	12/19/12	GENERAL TOLERANCE UNLESS OTHERWISE SPECIFIED	DRAWN Joan NOV-25-2004	PART NO. 6905K-XXXN-00X
RE201211006	JIMMY	12/14/12	X.X ±0.30	CHECKED	TITLE: 1.0 ZIF FPC SMT R/A T/C
RE201208025	JIMMY	07/26/12	X.XX ±0.20	APPROVED	
RE201110037	JIMMY	11/09/11	X.XXX ±0.30'	SHEET	
REN90501	Joan	05/04/09	ANG.		
REN90413	HUNTER	04/17/09			
SER REVISIONS	CHK	DATE			

UNIT	SCALE	SIZE	REV
MM	5:1	A4	K