

- NOTES: MATERIAL & FINISH
 1. HOUSING: HIGH-TEMPERATURE THERMOPLASTIC UL94V-0
 COLOR: BLACK
 2. ACTUATOR: HIGH-TEMPERATURE THERMOPLASTIC UL94V-0
 COLOR: BROWN OR WHITE
 3. CONTACT: COPPER ALLOY. t=0.2mm
 PLATING: TIN OR MATTE-TIN OR GOLD FLASH PLATED
 4. FITTING NAIL: COPPER ALLOY. t=0.2mm
 PLATING: TIN PLATED

5. ORDER INFORMATION: 6905K-X XX N-01X

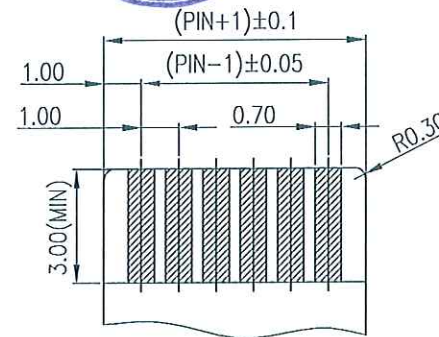
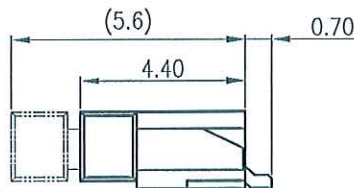
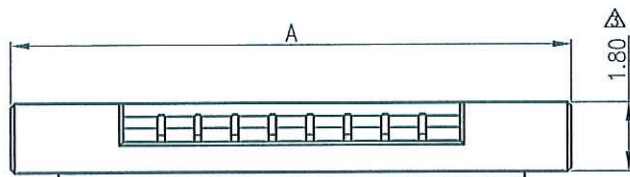
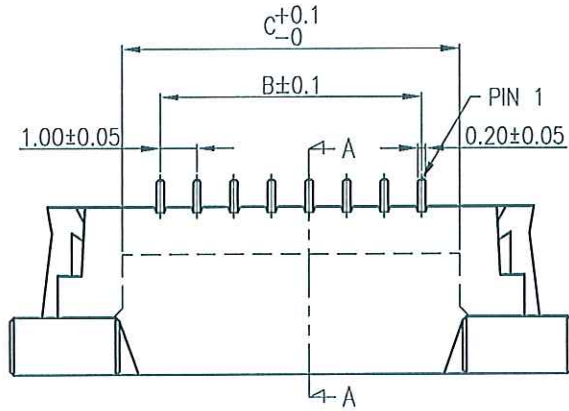
PACKING: E: TUBE
 R: PLASTIC REEL
 L: PAPER REEL

ENTERY INDUSTRIAL CO., LTD.
 JAN 15. 2013
 R&D D.C.C. ISSUED

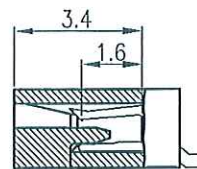
STANDARD
 PIN
 PLATING: E: TIN Δ
 Q: MATTE-TIN Δ
 Δ Y AND V: GOLD FLASH (WITH NICKEL BARRIER)
 6905K: 1.0 ZIF FPC SMT R/A TOP CONTACT LOW PROFILE
 (HALOGEN FREE)



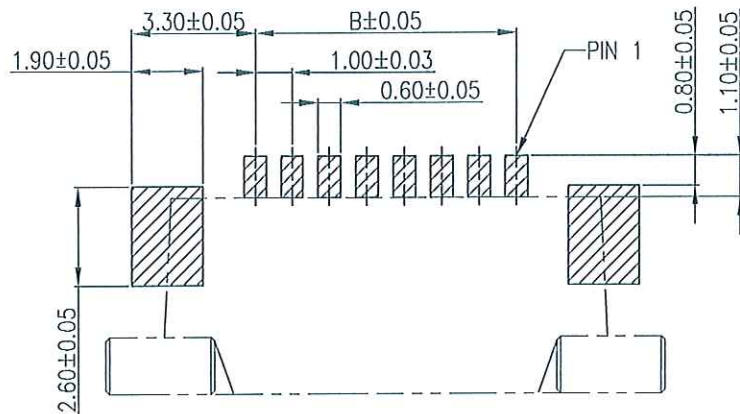
PIN	A	B	C
04	11.0	3.0	5.1
05	12.0	4.0	6.1
06	13.0	5.0	7.1
07	14.0	6.0	8.1
08	15.0	7.0	9.1
09	16.0	8.0	10.1
10	17.0	9.0	11.1
11	18.0	10.0	12.1
12	19.0	11.0	13.1
13	20.0	12.0	14.1
14	21.0	13.0	15.1
15	22.0	14.0	16.1
16	23.0	15.0	17.1
17	24.0	16.0	18.1
18	25.0	17.0	19.1
19	26.0	18.0	20.1
20	27.0	19.0	21.1
21	28.0	20.0	22.1
22	29.0	21.0	23.1
23	30.0	22.0	24.1
24	31.0	23.0	25.1
25	32.0	24.0	26.1
26	33.0	25.0	27.1
27	34.0	26.0	28.1
28	35.0	27.0	29.1
29	36.0	28.0	30.1
30	37.0	29.0	31.1



RECOMMENDED APPLICABLE
 FPC LAYOUT (THICKNESS: 0.3±0.03)



SECTION A-A



RECOMMENDED P.C. BOARD PATTERN DIM. (REF)

CUSTOMER
 恩得利工業股份有限公司
 E&T
 ENTERY INDUSTRIAL CO., LTD.

SER	REVISIONS	CHK	DATE
RE201208012	Jimmy	12/19/12	
REN111121	Jimmy	11/24/11	
RE201110037	Jimmy	11/08/11	
REN101201	Jimmy	12/06/10	
RE060220	JUNNA	02/20/06	
RE051225	Joan	01/03/05	

GENERAL TOLERANCE
 UNLESS
 OTHERWISE SPECIFIED
 X.X ±0.30
 X.XX ±0.20
 X.XXX
 ANG. ±0'30"

DRAWN
 Joan NOV-25-2004
 CHECKED
 APPROVED
 SHEET 1/1

PART NO. $\Delta\Delta$
 6905K-XXXN-01X
 TITLE:
 1.0 ZIF FPC SMT R/A
 TOP CONTACT LOW PROFILE
 UNIT MM SCALE 5:1 SIZE A4 REV H