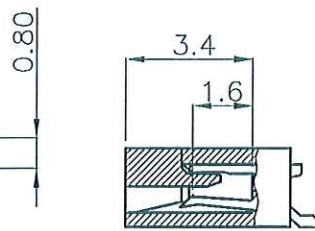
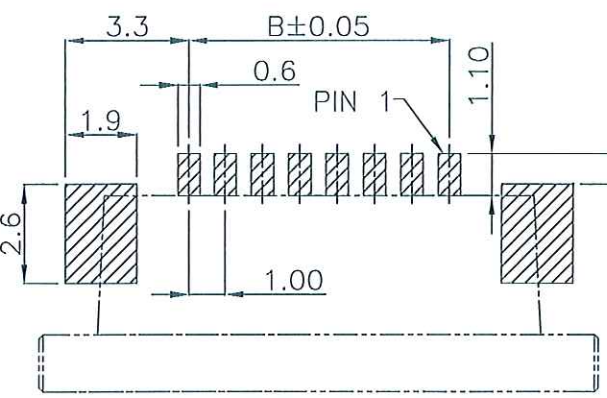
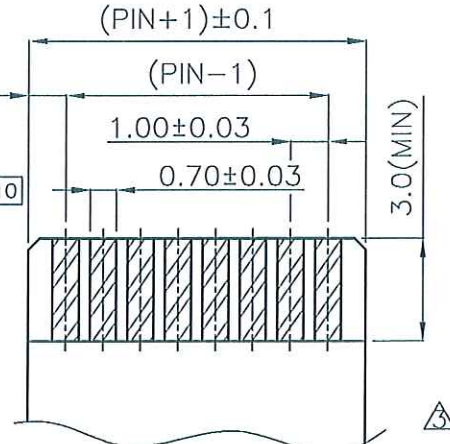
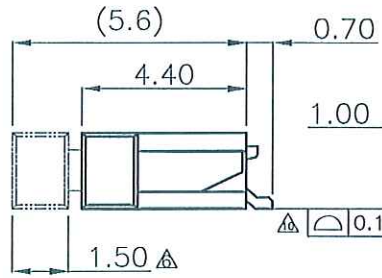
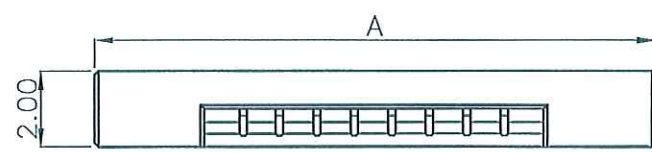
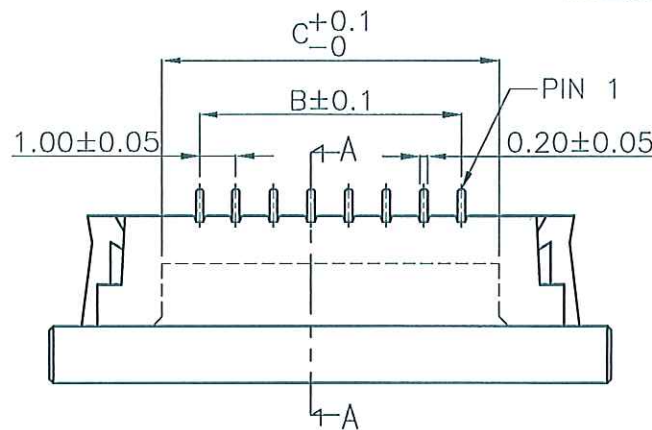
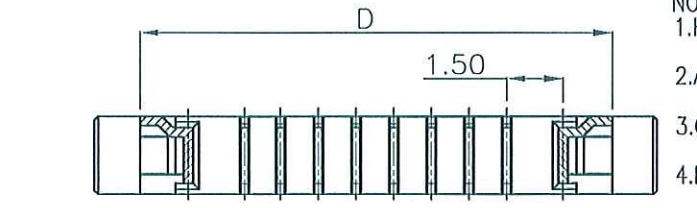


- NOTES: MATERIAL & FINISH  
 1. HOUSING: HIGH-TEMPERATURE THERMOPLASTIC UL94V-0  
 COLOR: BLACK  
 2. ACTUATOR: HIGH-TEMPERATURE THERMOPLASTIC UL94V-0  
 COLOR: WHITE  
 3. CONTACT: COPPER ALLOY, t=0.2mm  
 PLATING: TIN OR MATTE-TIN OR GOLD FLASH PLATED  
 4. FITTING NAIL: COPPER ALLOY, t=0.2mm  
 PLATING: TIN OR GOLD FLASH PLATED  
 5. ORDER INFORMATION: 6906K-X XX N-00X



NO. of contacts (n)	Dimensions			
	A	B	C	D
04	11.0	3.0	5.1	8.50
05	12.0	4.0	6.1	9.50
06	13.0	5.0	7.1	10.50
07	14.0	6.0	8.1	11.50
08	15.0	7.0	9.1	12.50
09	16.0	8.0	10.1	13.50
10	17.0	9.0	11.1	14.50
11	18.0	10.0	12.1	15.50
12	19.0	11.0	13.1	16.50
13	20.0	12.0	14.1	17.50
14	21.0	13.0	15.1	18.50
15	22.0	14.0	16.1	19.50
16	23.0	15.0	17.1	20.50
17	24.0	16.0	18.1	21.50
18	25.0	17.0	19.1	22.50
19	26.0	18.0	20.1	23.50
20	27.0	19.0	21.1	24.50
21	28.0	20.0	22.1	25.50
22	29.0	21.0	23.1	26.50
23	30.0	22.0	24.1	27.50
24	31.0	23.0	25.1	28.50
25	32.0	24.0	26.1	29.50
26	33.0	25.0	27.1	30.50
27	34.0	26.0	28.1	31.50
28	35.0	27.0	29.1	32.50
29	36.0	28.0	30.1	33.50
30	37.0	29.0	31.1	34.50
31	38.0	30.0	32.1	35.50
32	39.0	31.0	33.1	36.50
33	40.0	32.0	34.1	37.50
34	41.0	33.0	35.1	38.50



RECOMMENDED APPLICABLE  
 FPC LAYOUT (THICKNESS: 0.3±0.03)

RECOMMENDED P.C.BOARD PATTERN DIM.(REF)

ENTERY INDUSTRIAL CO., LTD.  
 JAN 18, 2013  
 R&D D.C.C. ISSUED

SER	REVISIONS	CHK	DATE
△	RE201208014	JIMMY	12/19/12
△	RE201210002	JIMMY	11/09/11
△	REN100504	Max	05/10/10
△	RE081220	Joan	02/09/09
△	RE080643	Joan	08/04/08
△	RE080218	Joan	04/22/08

CUSTOMER

恩得利工業股份有限公司  
 E & T  
 ENTERY INDUSTRIAL CO., LTD.

DRAWN  
 Joan NOV-20-2004  
 CHECKED  
 APPROVED  
 SHEET 1/1

PART NO. 6906K-XXXN-00X  
 TITLE: 1.0 ZIF FPC SMT R/A TYPE BOTTOM CONTACT  
 UNIT MM SCALE 5:1 SIZE A4 REV M

GENERAL TOLERANCE UNLESS OTHERWISE SPECIFIED  
 X.X ±0.30  
 X.XX ±0.20  
 X.XXX ANG. ±0°30'