

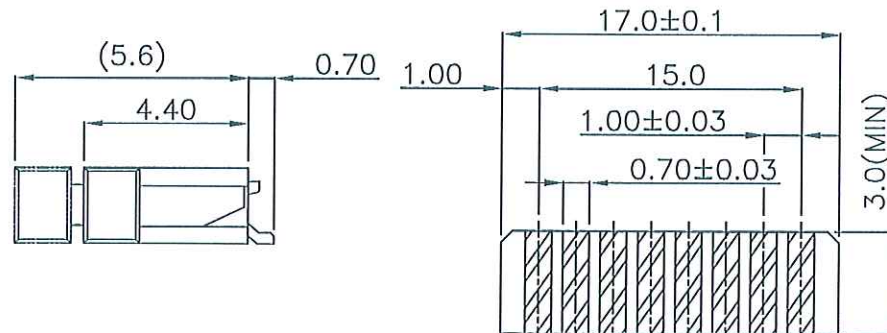
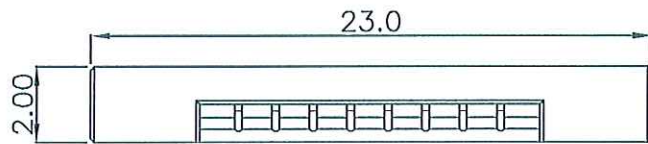
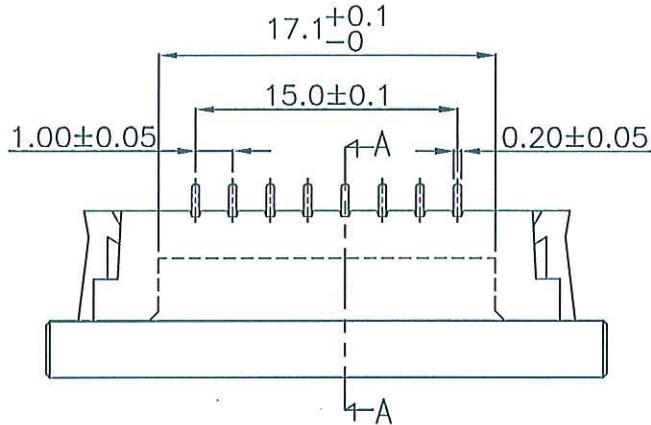
NOTES: MATERIAL & FINISH
 1. HOUSING: HIGH-TEMPERATURE THERMOPLASTIC UL94V-0
 COLOR: BLACK
 2. ACTUATOR: HIGH-TEMPERATURE THERMOPLASTIC UL94V-0
 COLOR: BLACK
 3. CONTACT: COPPER ALLOY, t=0.2mm
 PLATING: TIN, GOLD FLASH
 4. FITTING NAIL: COPPER ALLOY, t=0.2mm
 PLATING: TIN

ENTERY INDUSTRIAL CO., LTD.
 JAN 18. 2013
 R&D D.C.C. ISSUED

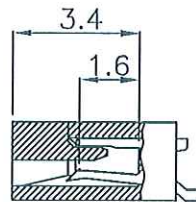
5. ORDER INFORMATION: 6906K-X XX N-07 X



PACKING: R: PLASTIC REEL
 L: PAPER REEL
 E: TUBE
 TYPE STANDARD
 PIN
 PLATING: E: TIN
 F: GOLD FLASH
 Y AND V: GOLD FLASH (WITH NICKEL BARRIER)
 6906K: 1.0 ZIF FPC SMT R/A B/C (HALOGEN FREE)

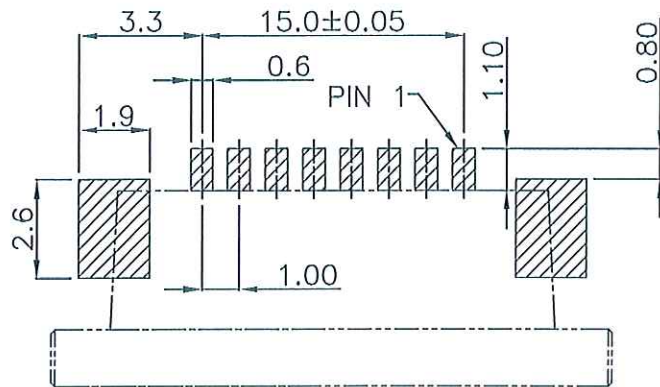


RECOMMENDED APPLICABLE
 FPC LAYOUT (THICKNESS: 0.3±0.03)



SECTION A-A

No. of contacts (Q)	Dimensions			
	A	B	C	D
04	11.0	3.0	5.1	8.50
05	12.0	4.0	6.1	9.50
06	13.0	5.0	7.1	10.50
07	14.0	6.0	8.1	11.50
08	15.0	7.0	9.1	12.50
09	16.0	8.0	10.1	13.50
10	17.0	9.0	11.1	14.50
11	18.0	10.0	12.1	15.50
12	19.0	11.0	13.1	16.50
13	20.0	12.0	14.1	17.50
14	21.0	13.0	15.1	18.50
15	22.0	14.0	16.1	19.50
16	23.0	15.0	17.1	20.50
17	24.0	16.0	18.1	21.50
18	25.0	17.0	19.1	22.50
19	26.0	18.0	20.1	23.50
20	27.0	19.0	21.1	24.50
21	28.0	20.0	22.1	25.50
22	29.0	21.0	23.1	26.50
23	30.0	22.0	24.1	27.50
24	31.0	23.0	25.1	28.50
25	32.0	24.0	26.1	29.50
26	33.0	25.0	27.1	30.50
27	34.0	26.0	28.1	31.50
28	35.0	27.0	29.1	32.50
29	36.0	28.0	30.1	33.50
30	37.0	29.0	31.1	34.50
31	38.0	30.0	32.1	35.50
32	39.0	31.0	33.1	36.50
33	40.0	32.0	34.1	37.50
34	41.0	33.0	35.1	38.50



RECOMMENDED P.C. BOARD PATTERN DIM. (REF)

SER	REVISIONS	CHK	DATE
△	RE201210002	MAX	01/18/13
△	RE201208014	JIMMY	11/09/11
△	RE201110037	Joe	01/13/08
△	REN90105 增加 PIN 1	Joe	12/12/08
△	RE080918 增加 PIN 數	Joe	12/12/08
△	RE080112	Joan	01/29/08

CUSTOMER		恩得利工業股份有限公司 ENTERY INDUSTRIAL CO., LTD.	
GENERAL TOLERANCE UNLESS OTHERWISE SPECIFIED	DRAWN Joan JAN-29-2008	PART NO. 6906K-XXXN-07X	
OTHERWISE SPECIFIED	CHECKED	TITLE: 1.0 ZIF FPC SMT R/A TYPE BOTTOM CONTACT	
X.X ±0.30	APPROVED	SHEET 1/1	
X.XX ±0.20	2013.1.18	UNIT MM	SCALE 5:1
X.XXX ±0.15		SIZE A4	REV E
ANG. ±0°30'			