

PIN NO.	DIM. A	DIM. B	DIM. C
4	8.70	3.00	5.03
6	10.70	5.00	7.03
8	12.70	7.00	9.03
10	14.70	9.00	11.03
12	16.70	11.00	13.03
14	18.70	13.00	15.03
16	20.70	15.00	17.03
18	22.70	17.00	19.03
20	24.70	19.00	21.03
22	26.70	21.00	23.03
24	28.70	23.00	25.03
26	30.70	25.00	27.03
28	32.70	27.00	29.03
30	34.70	29.00	31.03
32	36.70	31.00	33.03
34	38.70	33.00	35.03

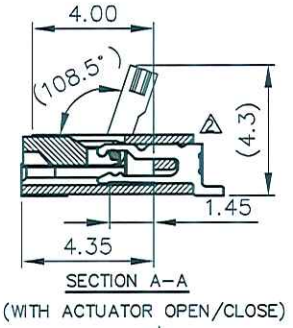
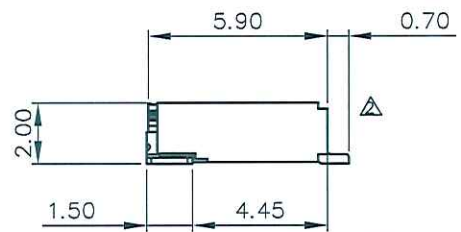
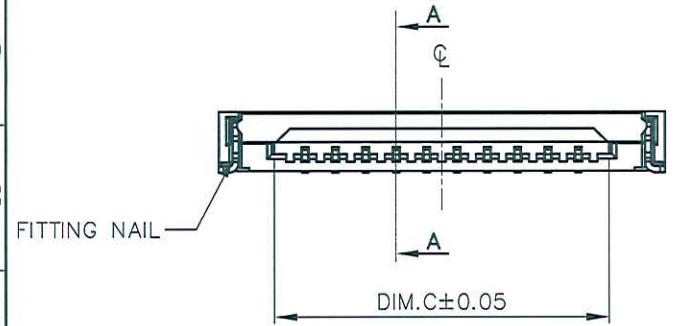
NOTES: MATERIAL & FINISH
 1. HOUSING: HIGH-TEMP THERMOPLASTIC UL94V-0
 COLOR: NATURAL
 2. ACTUATOR: HIGH-TEMP THERMOPLASTIC UL94V-0
 COLOR: BLACK
 3. TERMINAL: COPPER ALLOY
 PLATING: GOLD-FLASH ON CONTACT & SOLDERING AREA
 4. FITTING NAIL: COPPER ALLOY
 PLATING: MATTE-TIN PLATED
 5. ORDER INFORMATION: 6913K-X XX X-00 X

PACKING: E: TUBE
 R: PLASTIC CARRIER
 L: PAPER CARRIER

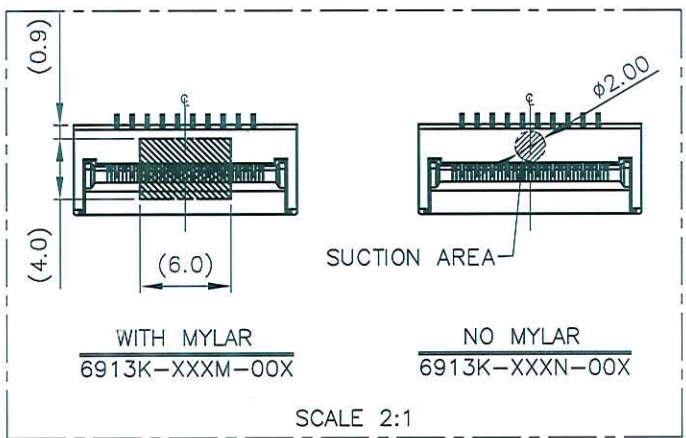
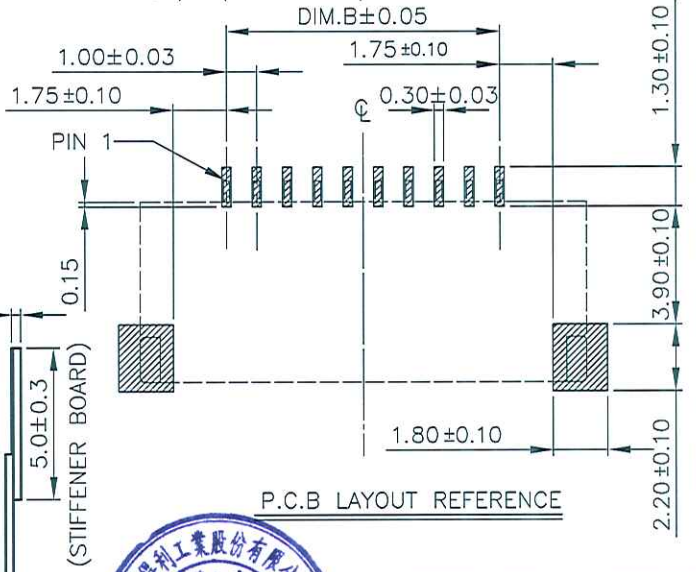
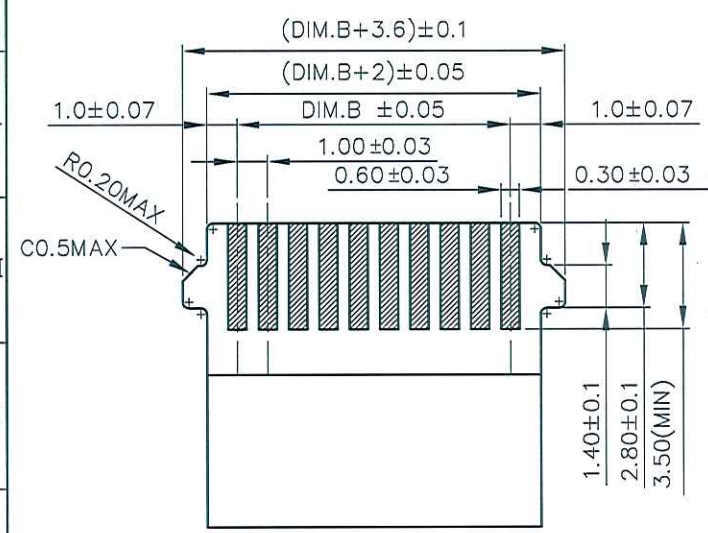
TYPE 00: SYMMETRY
 N: STANDARD
 M: MALAR

PIN NO.
 PLATING: F: GOLD FLASH
 Y: GOLD FLASH (WITH NICKEL BARRIER)
 Q: MATTE-TIN

1.0MM ZIF FPC SMT R/A B/C (HALOGEN FREE)



ENTERY INDUSTRIAL CO., LTD.
 APR 21 2014
 R&D D.C.C. ISSUED



SER	REVISIONS	CHK	DATE
△	RE201401007	Juno	03/20/14
△	REN130908	Juno	09/23/13
△	RE201307009	Juno	09/13/13
△	REN130202	Juno	02/04/13
△	RE201212011	Juno	01/02/13
△	REN120208	JACKSON	2/14/12

CUSTOMER		恩得利工業股份有限公司 ENTERY INDUSTRIAL CO., LTD.	
DRAWN KAZ JUL-19-2011	CHECKED	PART NO. 6913K-XXXX-00X	TITLE: 1.0MM PITCH FPC H2.0 (SYMMETRY)
APPROVED		SHEET 1/1	UNIT SCALE SIZE REV MM 4:1 A4 G